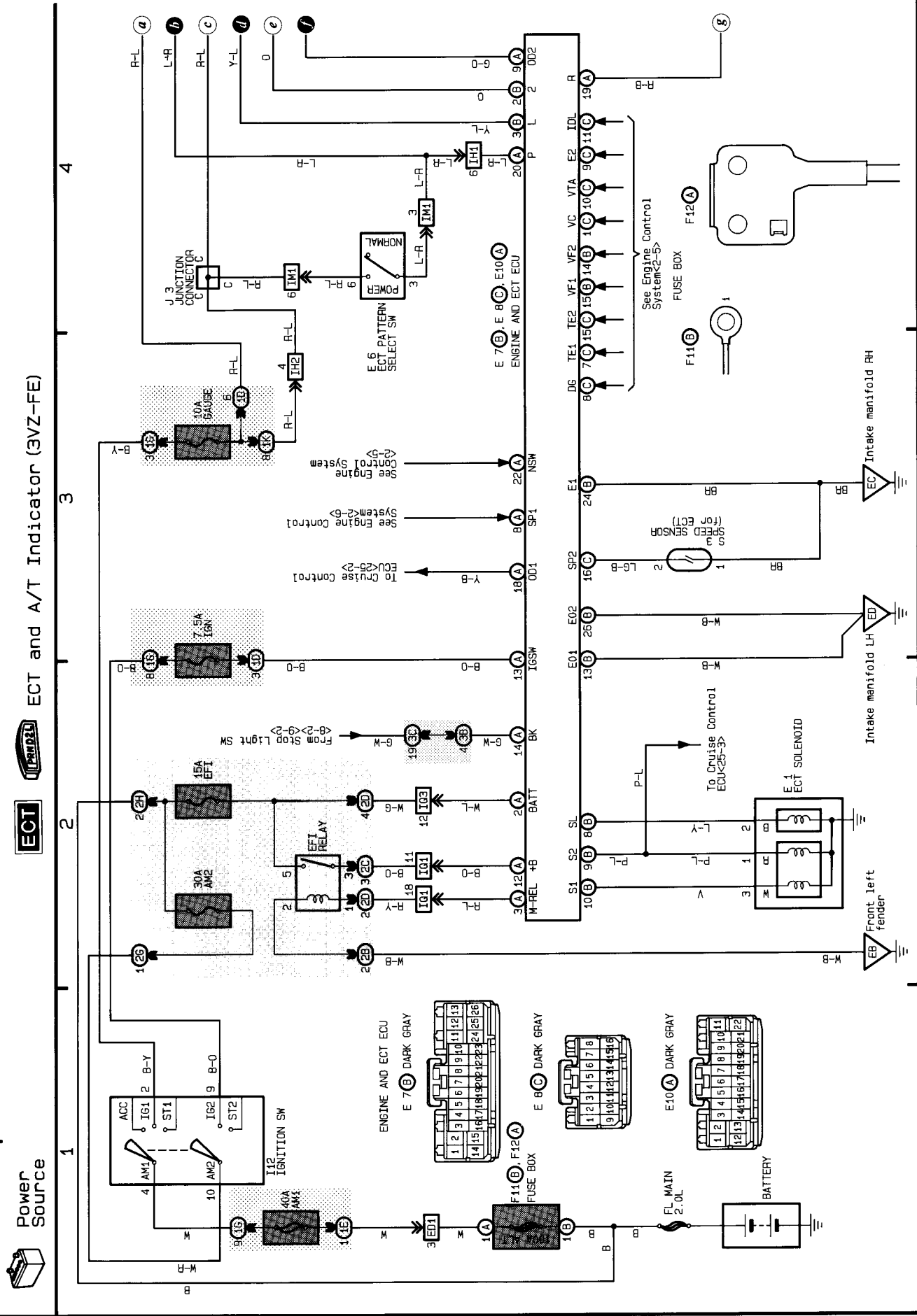


F OVERALL ELECTRICAL WIRING DIAGRAM

(Cont. next page)

5 CAMRY (LHD)





ECT and A/T Indicator (3VZ-FE)



Back-Up Light (3VZ-FE)

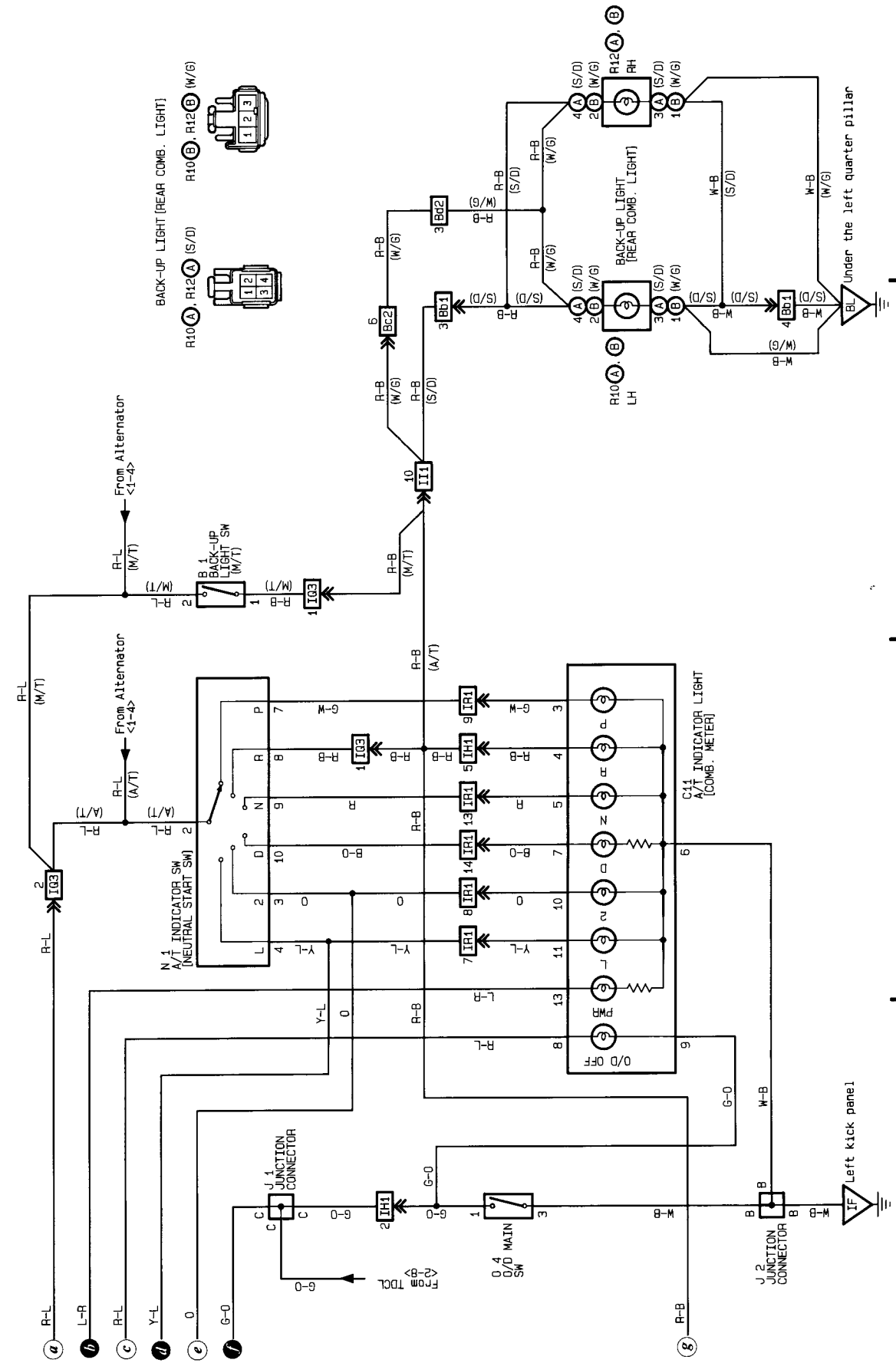


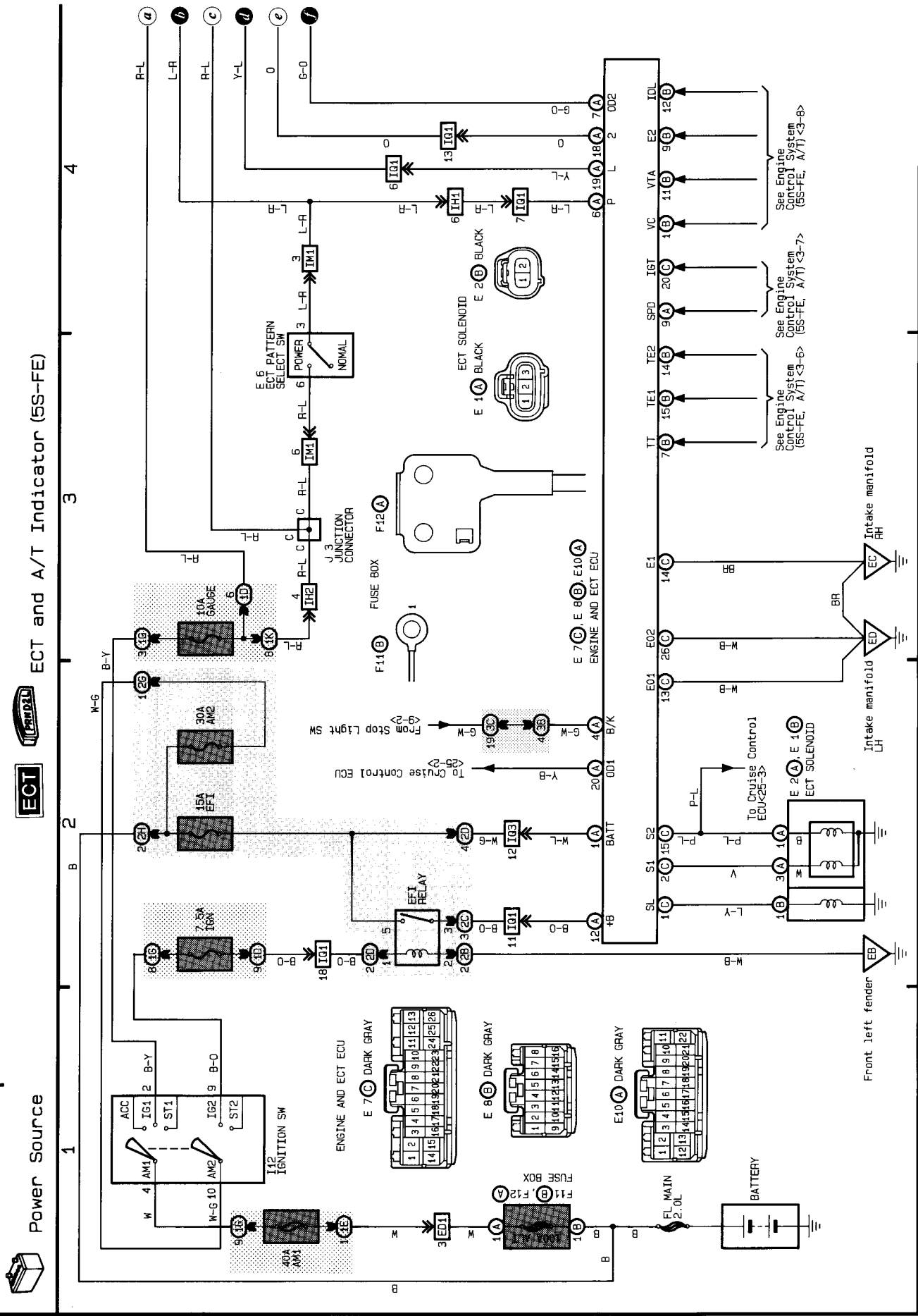
8

7

6

5





ECT and A/T Indicator (5S-FE)

