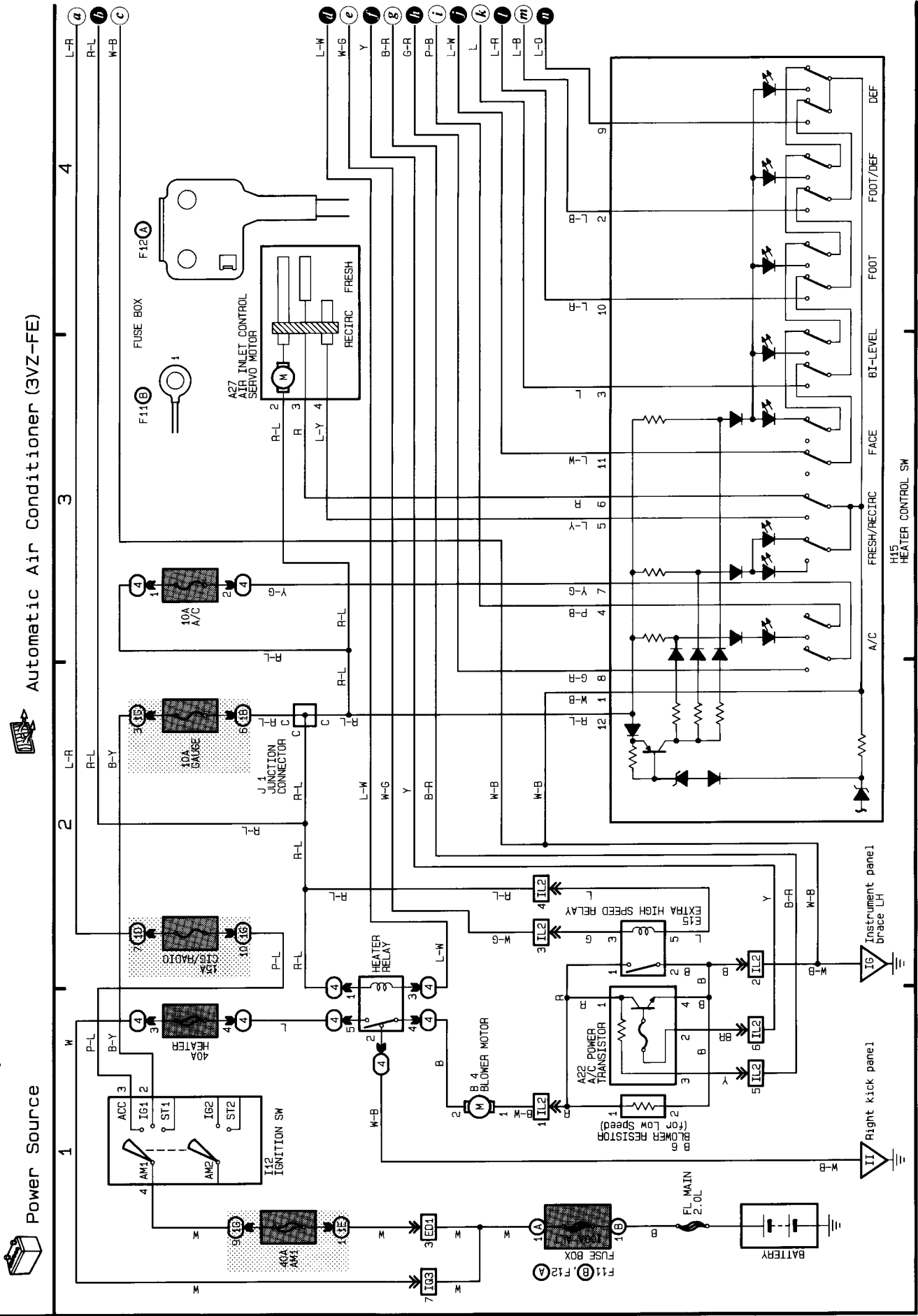


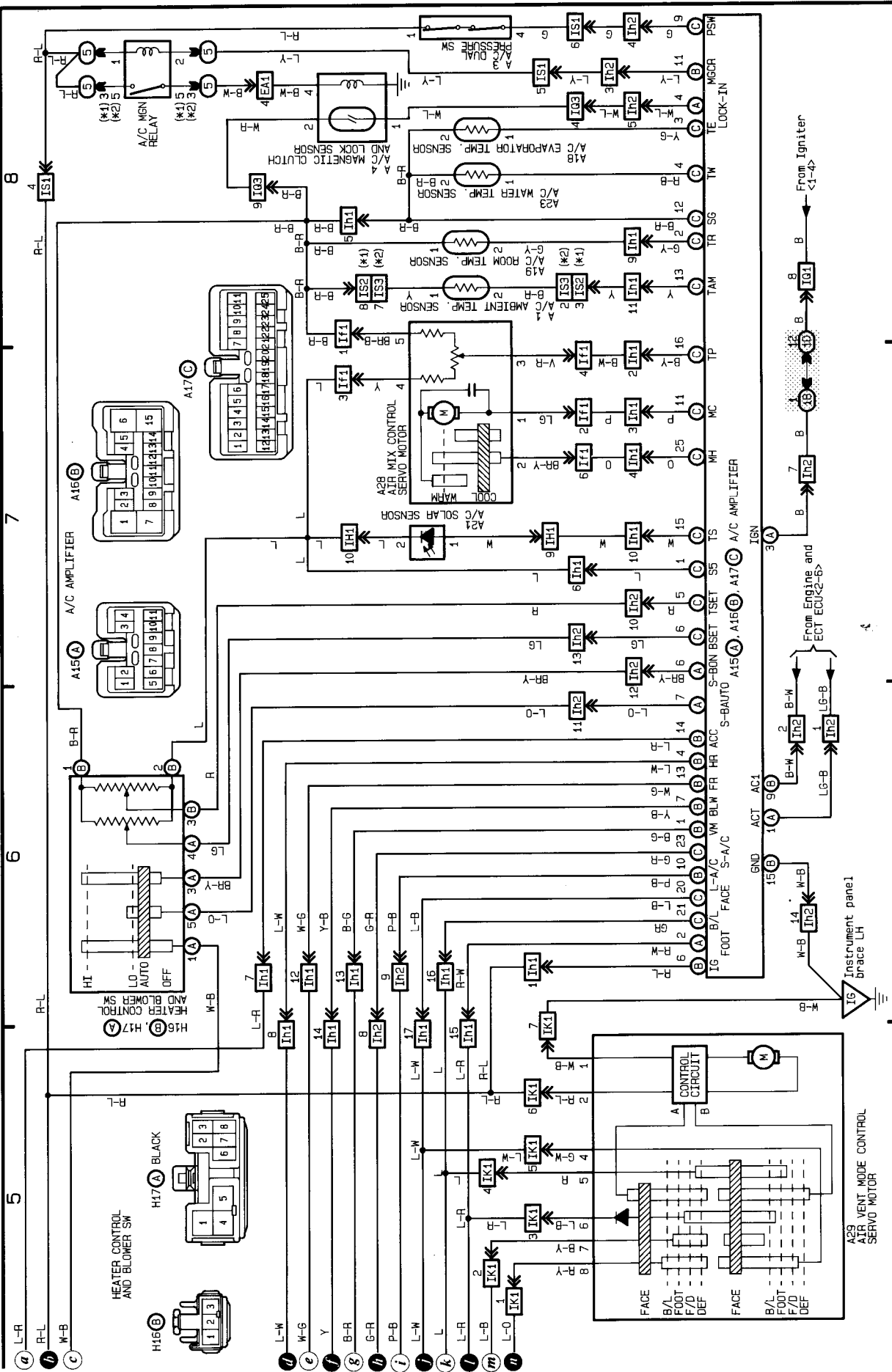
F OVERALL ELECTRICAL WIRING DIAGRAM



36 CAMRY (LHD) (Cont'd)

Automatic Air Conditioner (3VZ-FE)

*1: Except Europe
*2: Europe



A29 SERV. MOTOR
A28 MIX. CONTROL SERV. MOTOR

Instrument panel
brace LH

From Engine and ECT ECU2-6

From Igniter