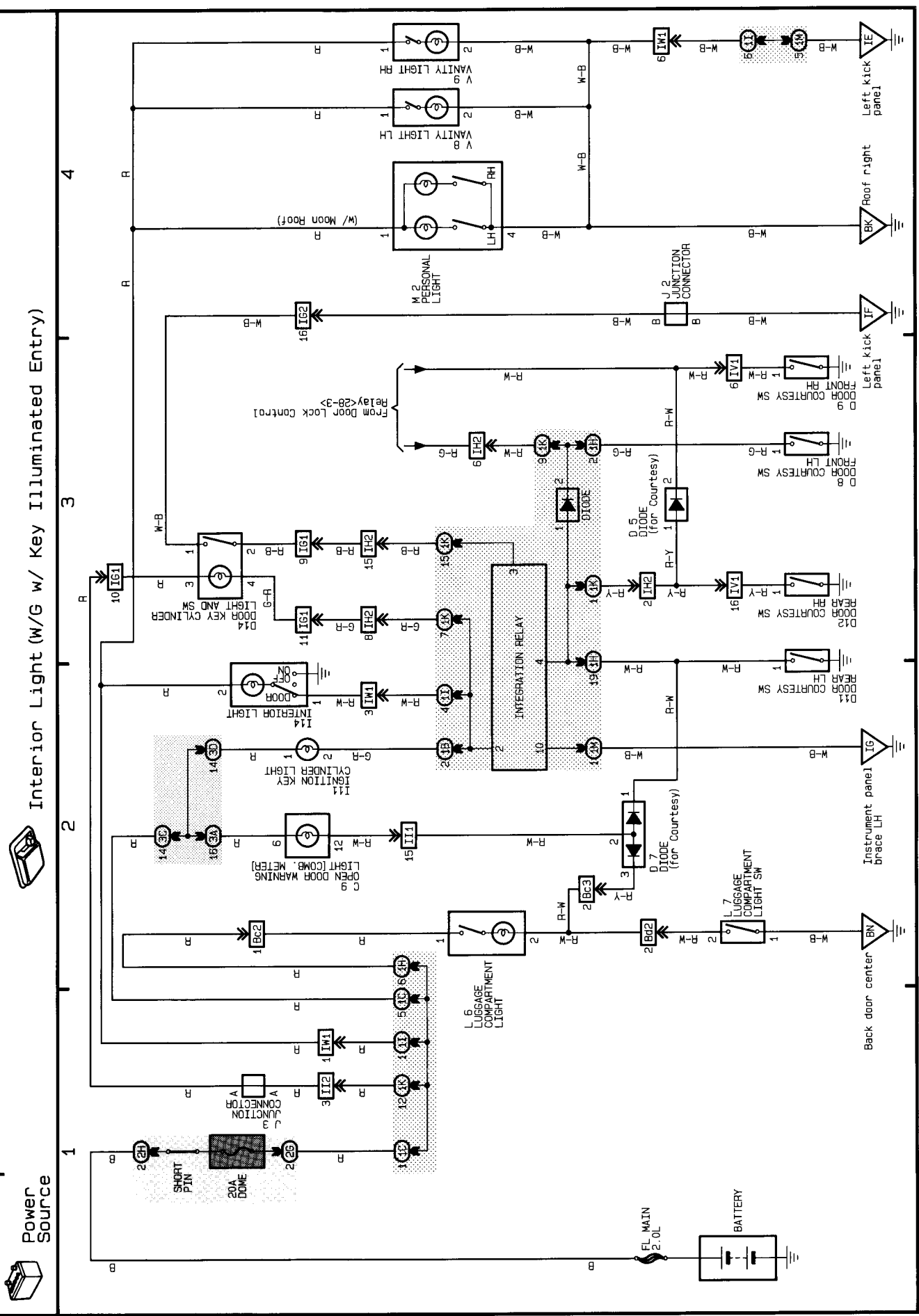


F OVERALL ELECTRICAL WIRING DIAGRAM

15 CAMRY (LHD)



Interior Light (W/G w/ Key Illuminated Entry)

4

3

2

1

Left kick panel

Roof right

Left kick panel

FRONT LH DOOR COURTESY SW

FRONT RH DOOR COURTESY SW

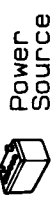
REAR LH DOOR COURTESY SW

REAR RH DOOR COURTESY SW

Instrument panel brace LH

Back door center

16 CAMRY (LHD)

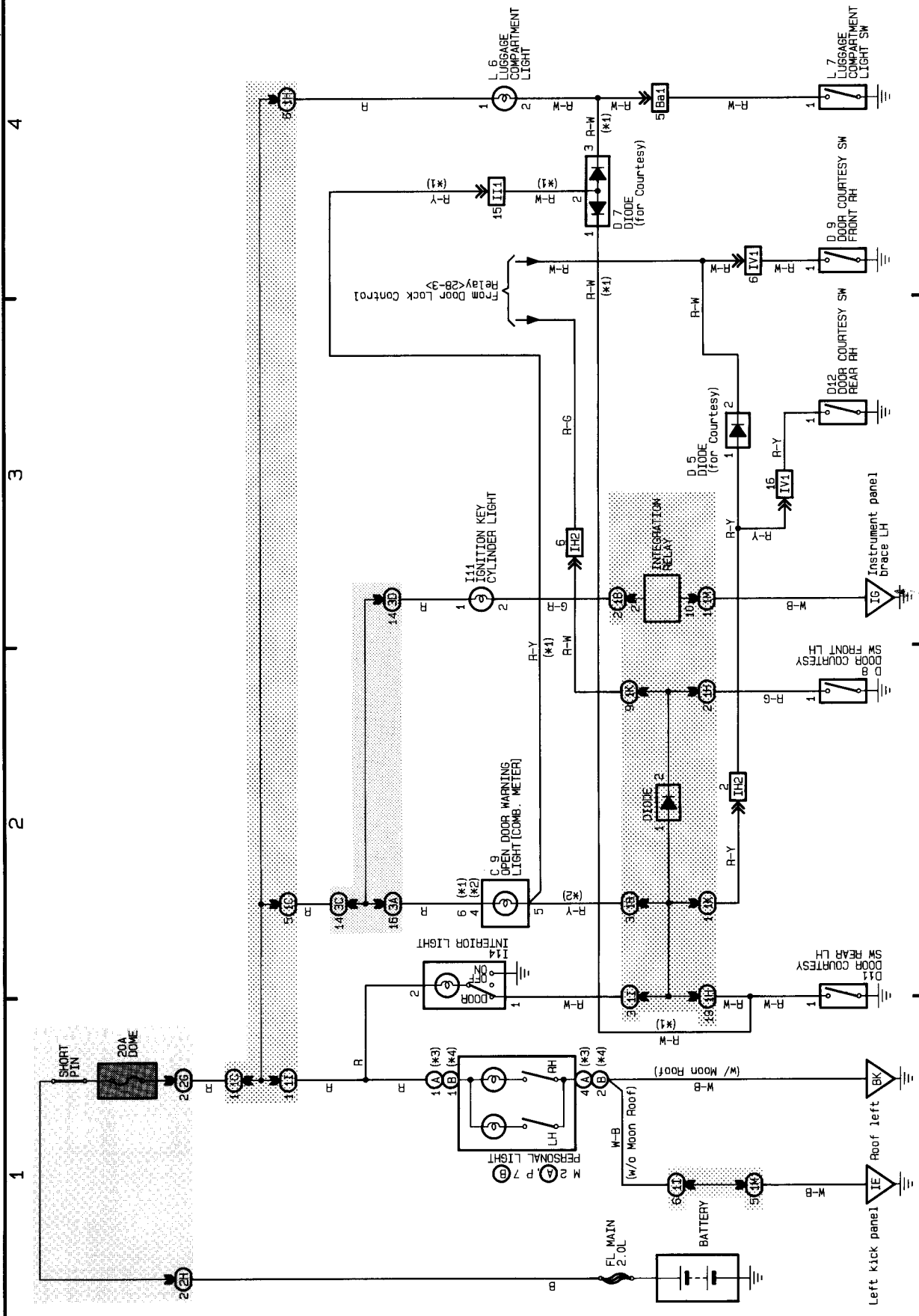


Power Source



Interior Light (S/D w/o Key Illuminated Entry)

- *1: Europe
- *2: Except Europe
- *3: w/ Moon Roof
- *4: w/o Moon Roof



1

2

3

4

F OVERALL ELECTRICAL WIRING DIAGRAM

17 CAMRY (LHD)

