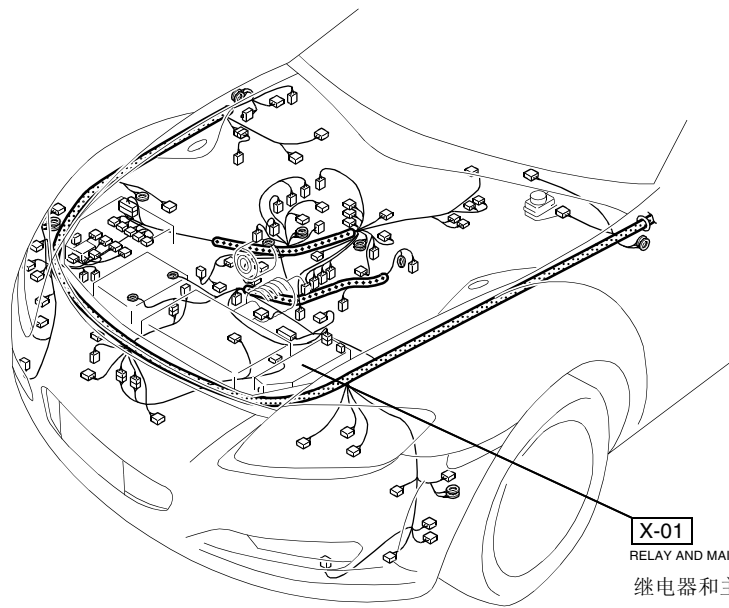
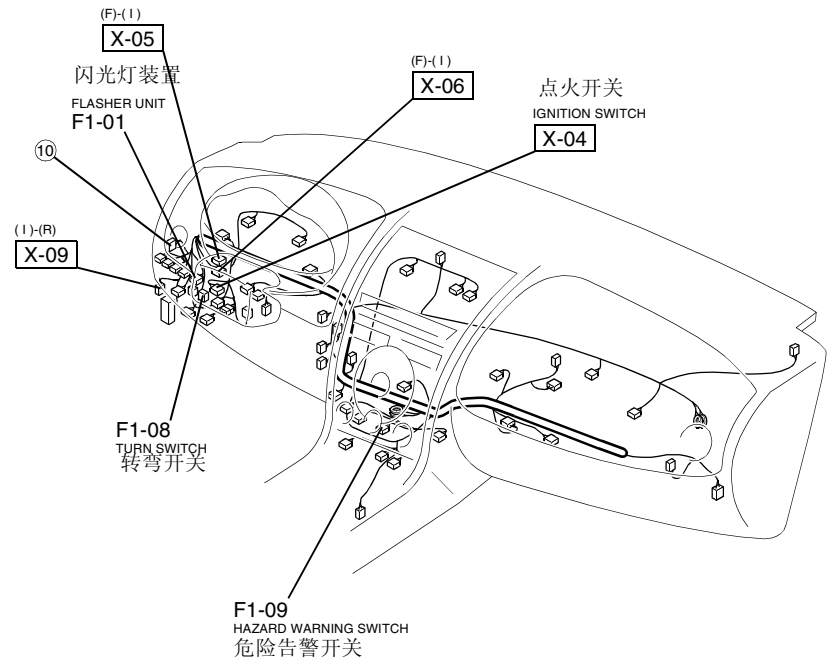


线束图标:  (F)  (E)  (R)



**X-01**  
RELAY AND MAIN FUSE BLOCK  
继电器和主保险丝盒



(F)-(1)  
**X-05**

闪光灯装置  
FLASHER UNIT  
F1-01

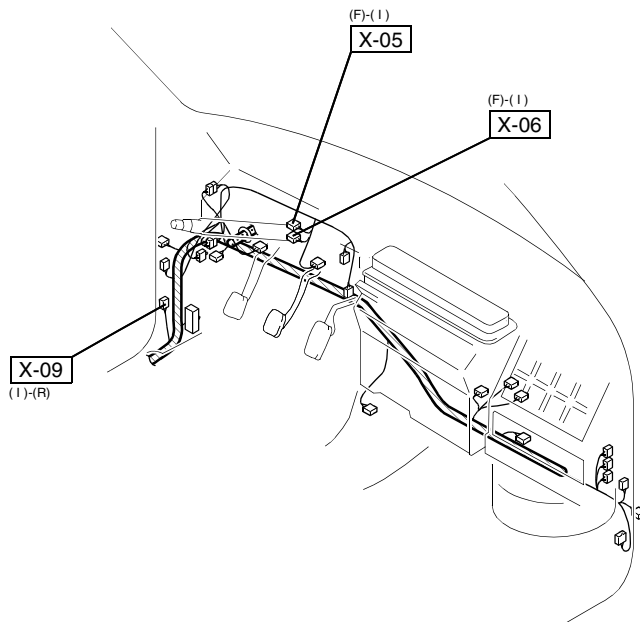
(F)-(1)  
**X-06**

点火开关  
IGNITION SWITCH  
**X-04**

(1)-(R)  
**X-09**

F1-08  
TURN SWITCH  
转弯开关

F1-09  
HAZARD WARNING SWITCH  
危险告警开关



(F)-(1)  
**X-05**

(F)-(1)  
**X-06**

**X-09**  
(1)-(R)