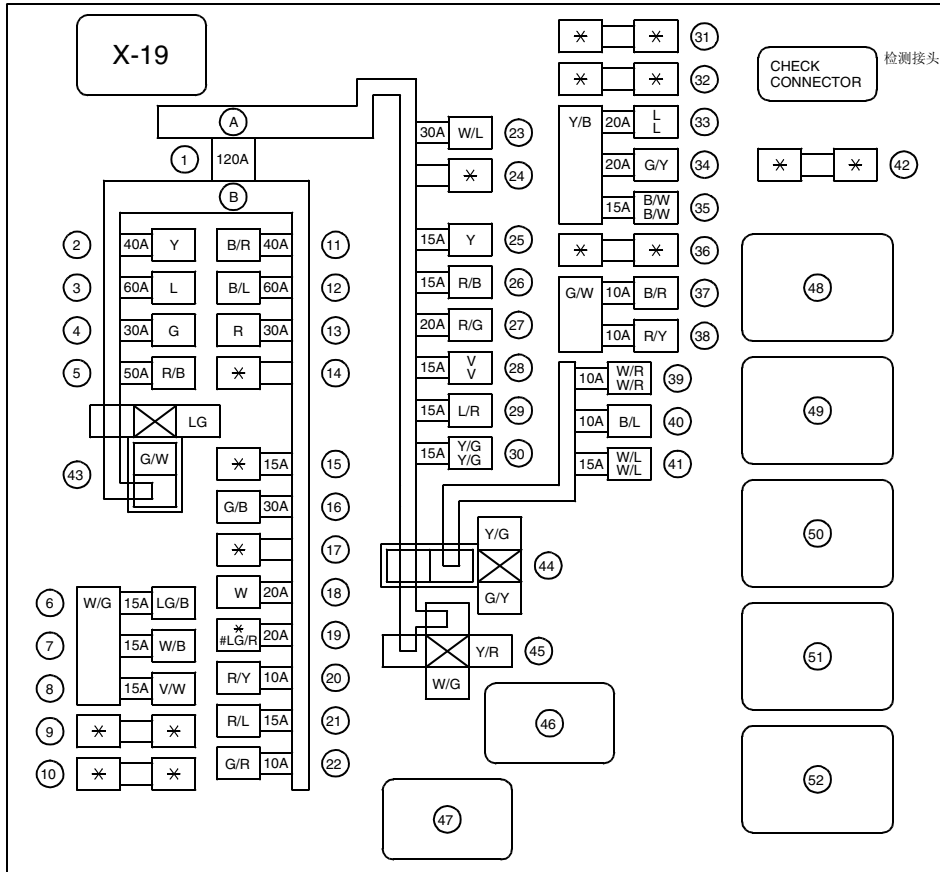
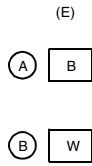


# 常用连接器列表 COMMON CONNECTOR LIST

X-1

X-01 RELAY AND MAIN FUSE BLOCK 继电器和主保险丝盒

(F)



# ...WITH HEADLIGHT CLEANER SYSTEM  
带大灯清洗系统

- |               |                  |  |
|---------------|------------------|--|
| ① MAIN 主      | ②① FOG           | ④① EGI INJ   |
| ② HEATER 加热器  | ②② A/C MAG       | ④② —   |
| ③ AIR PUMP 气泵 | ②③ IG            | ④③ TNS RELAY TNS继电器 (TAIL)                             |
| ④ BTN         | ②④ —             | ④④ MAIN RELAY 主继电器 (EGI)                               |
| ⑤ DEFOG       | ②⑤ IG KEY        | ④⑤ HEADLIGHT RELAY 大灯继电器 (HEAD)                        |
| ⑥ HEAD        | ②⑥ STOP          | ④⑥ STARTER RELAY 起动机继电器 (ST)                           |
| ⑦ HEAD LOW R  | ②⑦ FUEL PUMP 燃油泵 | ④⑦ IGNITION RELAY 点火装置继电器 (IGNITION)                   |
| ⑧ HEAD LOW L  | ②⑧ HORN 喇叭       | ④⑧ ACC RELAY (ACC)                                     |
| ⑨ —           | ②⑨ HAZARD 危险警告   | ④⑨ HORN RELAY 喇叭继电器 (HORN)                             |
| ⑩ —           | ②⑩ ETV           | ④⑩ FRONT FOG LIGHT RELAY (FOG) 前雾灯继电器                  |
| ⑪ FAN 风扇      | ②⑪ —             | ④⑪ (REAR FOG LIGHT) 后雾灯继电器 (RELAY (R.FOG))             |
| ⑫ ABS/DSC     | ②⑫ —             | ④⑫ ELECTRONIC THROTTLE RELAY (ETV) 电节气门继电器             |
| ⑬ ACC         | ②⑬ WIPER 刮水器     | ④⑬ COOLING FAN RELAY No.2 冷却风扇继电器 No. 2 (COOLING FAN2) |
| ⑭ —           | ②⑭ (P.WIND)      | ④⑭ BLOWER RELAY 鼓风机继电器 (HEATER)                        |
| ⑮ (DRL)       | ②⑮ ENGINE 引擎     | ④⑮ FUEL PUMP SPEED 燃油泵速度控制继电器 (CONTROL RELAY (FUEL))   |
| ⑯ (DSC)       | ②⑯ —             | ④⑯ COOLING FAN RELAY No.1 冷却风扇继电器 No. 1 (COOLING FAN1) |
| ⑰ —           | ②⑰ TAIL 尾灯       | ④⑰ (SEAT WARMER RELAY) 座椅加热继电器 (SEAT WARM)             |
| ⑱ (SEAT WARM) | ②⑱ ILLUMI        | ④⑱ FUEL PUMP RELAY 燃油泵继电器 (CIRCUIT)                    |
| ⑲ (H/CLEAN)   | ②⑲ EGI COMP1     | ④⑲ A/C RELAY 空调继电器 (AIR COND)                          |
| ⑳ (R.FOG)     | ②⑳ EGI COMP2     | ④⑳ REAR WINDOW 后窗除霜器继电器 (DEFROSTER RELAY (DEFOG))      |
|               |                  | ④㉑ COOLING FAN RELAY No.3 冷却风扇继电器 No. 3 (COOLING FAN3) |



FRONT 前

NOTE: THIS IS THE CONNECTOR AS SEEN FROM THE TERMINAL SIDE.  
注释: 这是从端子侧看到的接头。

{ } NAME INDICATED ON FUSE BOX COVER  
( ) EQUIPPED ONLY WITH THE RELATED SYSTEM

{ } 括号里的内容表示写在保险丝盒盖上内容  
( ) 括号里的只是相关系统装配的