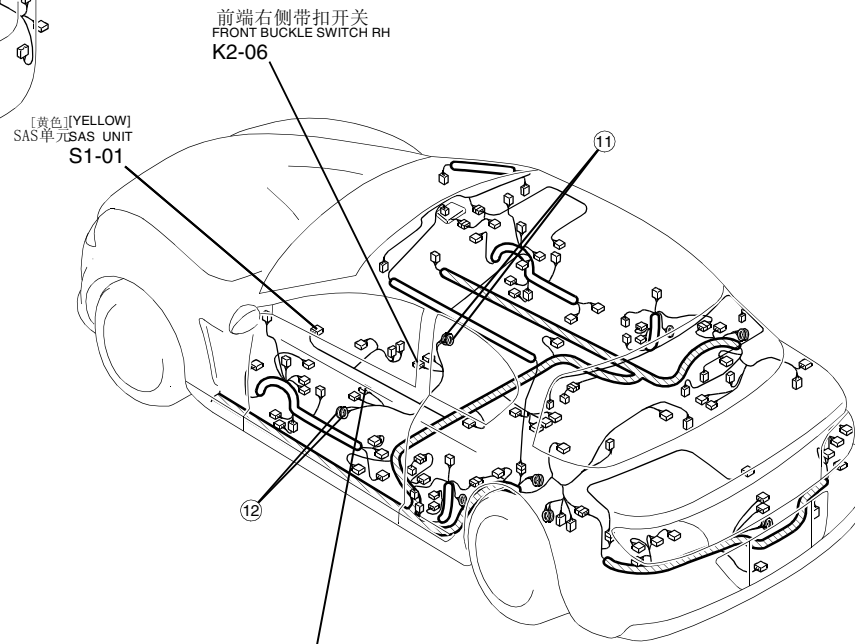
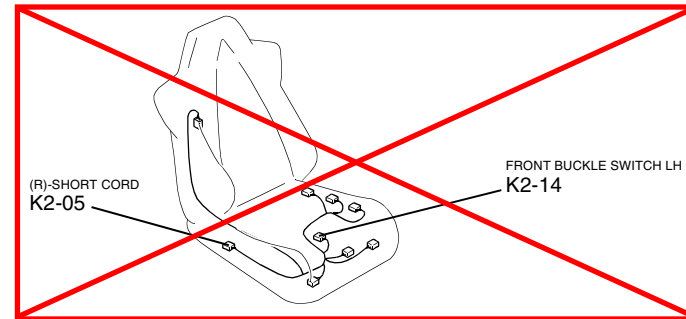
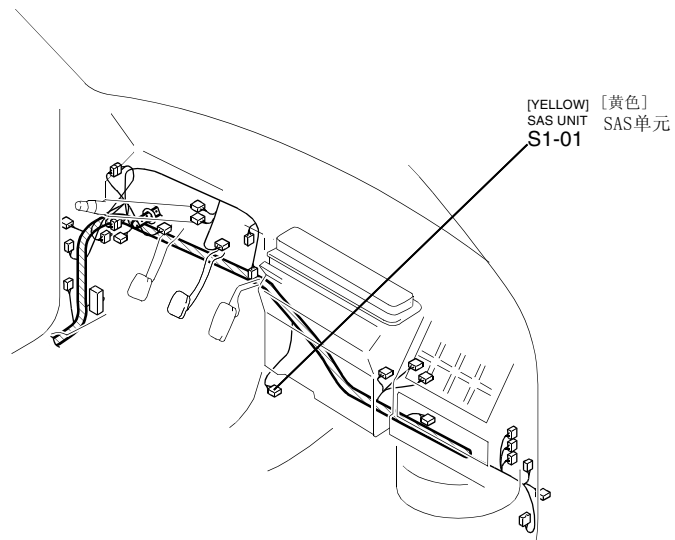


线束图标:  (F)  (E)  (R)



~~(R)-SHORT CORD WITH POWER SEAT~~  
FRONT BUCKLE SWITCH LH ← WITHOUT POWER SEAT  
前座左侧带扣开关-未安装电动座椅