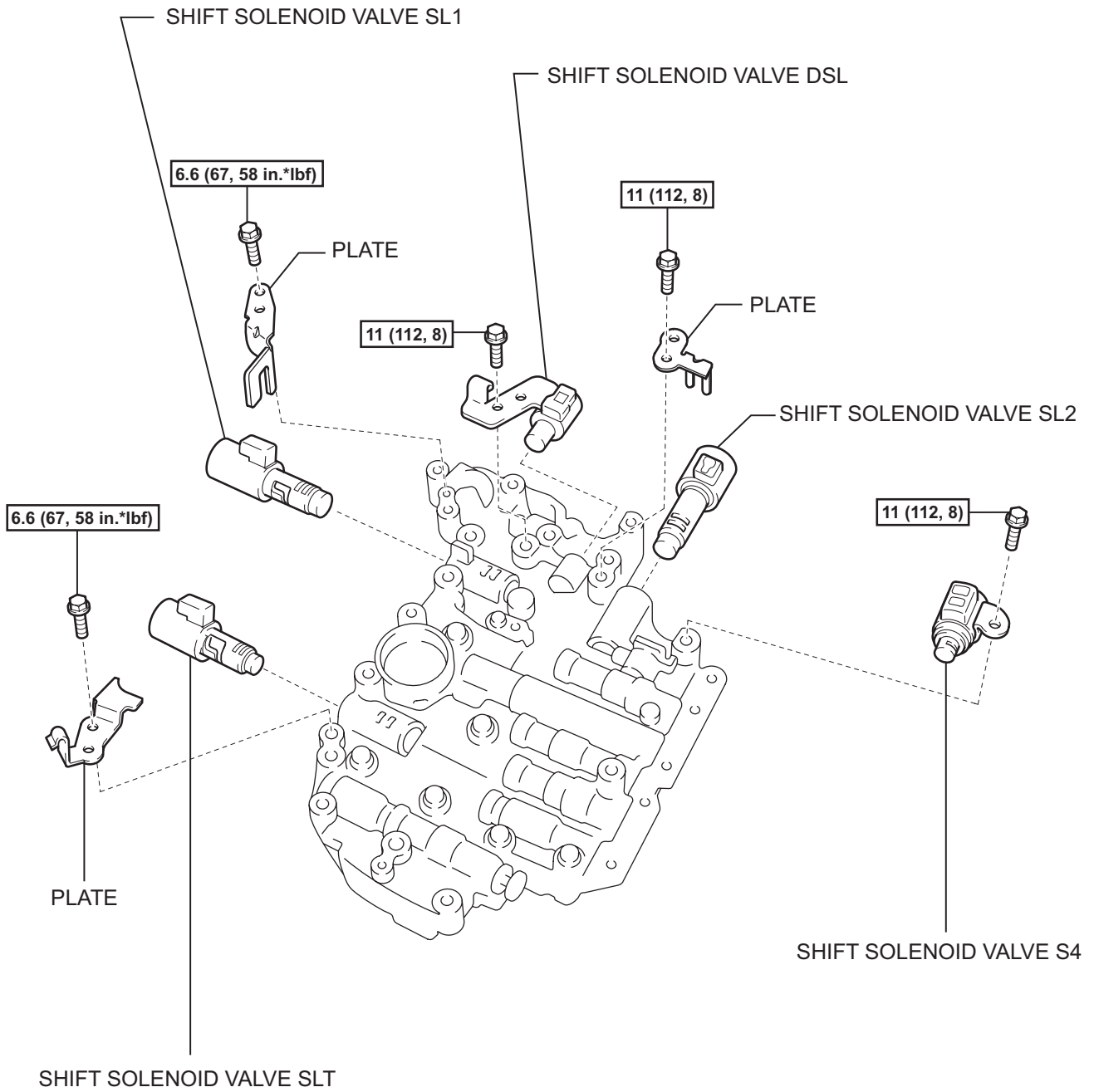


VALVE BODY COMPONENTS

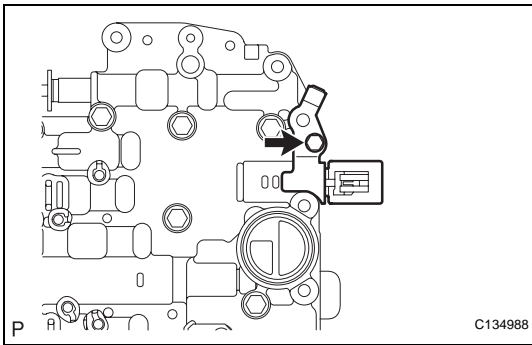
AX



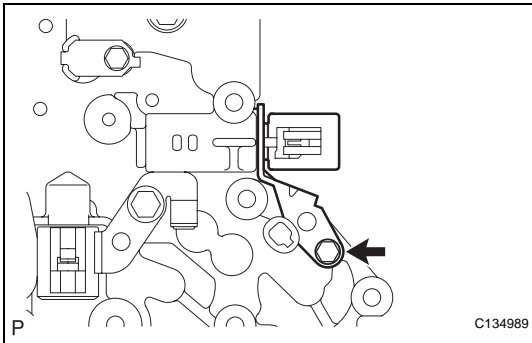
N*m (kgf*cm, ft.*lbf) : Specified torque

AX

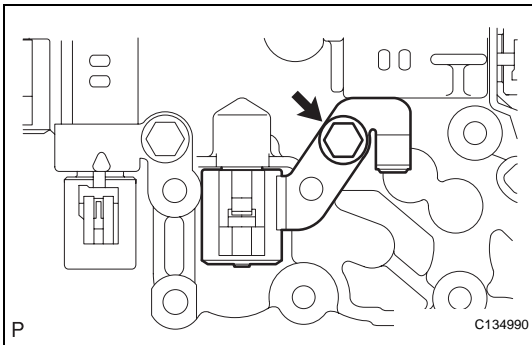
DISASSEMBLY



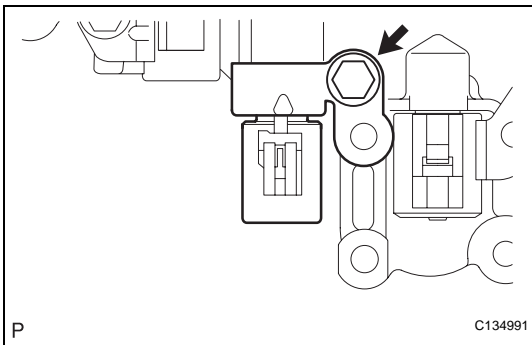
1. **REMOVE SHIFT SOLENOID VALVE SLT**
 - (a) Remove the bolt, plate and shift solenoid valve SLT from the valve body.



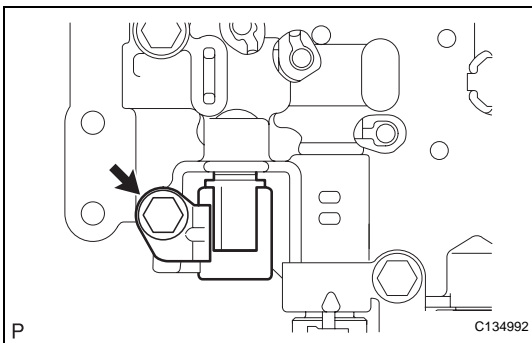
2. **REMOVE SHIFT SOLENOID VALVE SL1**
 - (a) Remove the bolt, plate and shift solenoid valve SL1 from the valve body.



3. **REMOVE SHIFT SOLENOID VALVE DSL**
 - (a) Remove the bolt and shift solenoid valve DSL from the valve body.



4. **REMOVE SHIFT SOLENOID VALVE SL2**
 - (a) Remove the bolt, plate and shift solenoid valve SL2 from the valve body.



5. **REMOVE SHIFT SOLENOID VALVE S4**
 - (a) Remove the bolt and shift solenoid valve S4 from the valve body.
6. **REMOVE MANUAL VALVE**
 - (a) Remove the manual valve from the valve body.