

# TRANSMISSION CONTROL CABLE ASSEMBLY

## REPLACEMENT

1. **REMOVE REAR CONSOLE BOX SUB-ASSEMBLY**
  - (a) Remove the console box (see page [IP-20](#)).

2. **DISCONNECT CABLE FROM NEGATIVE BATTERY TERMINAL**

### CAUTION:

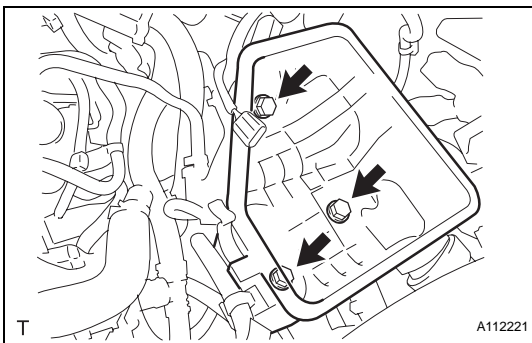
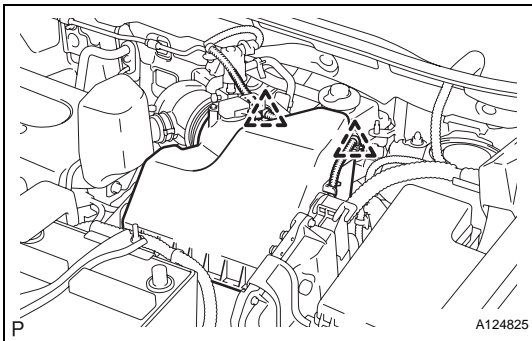
Wait at least 90 seconds after disconnecting the cable from the negative (-) battery terminal to prevent airbag and seat belt pretensioner activation.

3. **REMOVE BATTERY**

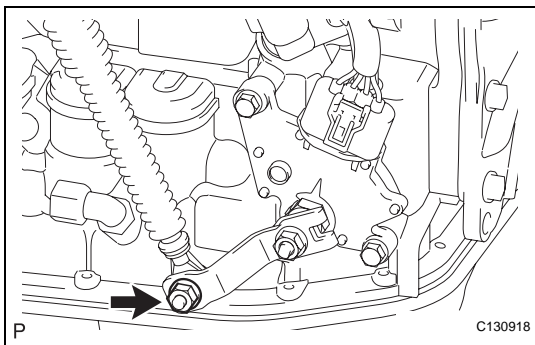
- (a) Loosen the nut and remove the bolt and battery clamp.
- (b) Remove the battery.
- (c) Remove the battery tray.
- (d) Remove the 4 bolts and battery carrier.
- (e) Remove the 2 bolts and battery bracket reinforcement.

4. **REMOVE AIR CLEANER ASSEMBLY**

- (a) Disconnect the mass air flow meter connector.
- (b) Remove the 2 clamps of the engine wire.

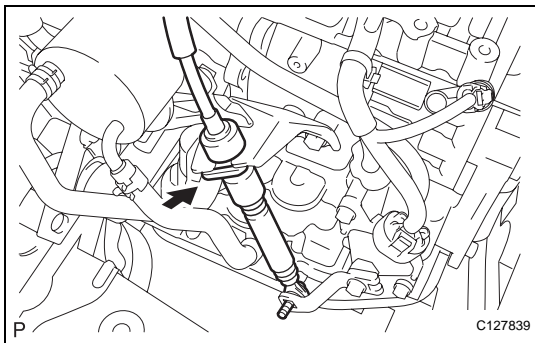


- (c) Remove the 4 bolts from the air cleaner case.
- (d) Disconnect the air cleaner case from the No. 1 air cleaner inlet.

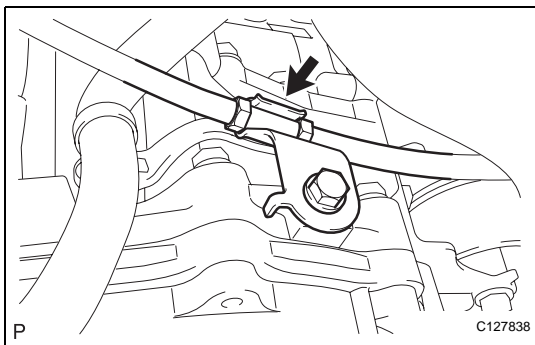


## 5. REMOVE TRANSAXLE CONTROL CABLE ASSEMBLY

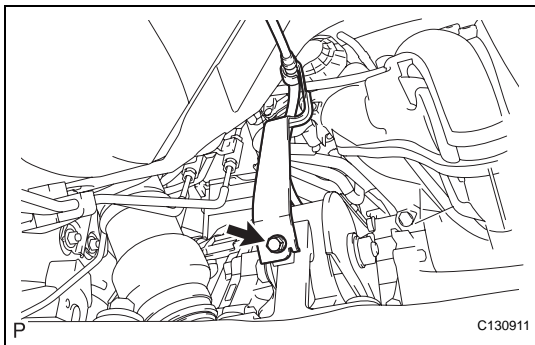
- (a) Remove the nut and disconnect the control cable from the control shaft lever.



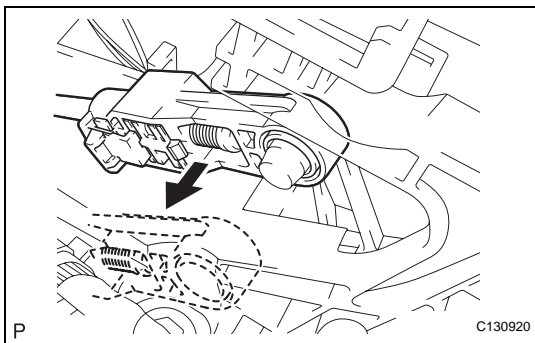
- (b) Remove the clip and disconnect the control cable from the control cable bracket.



- (c) Disconnect the control cable from the control cable support.

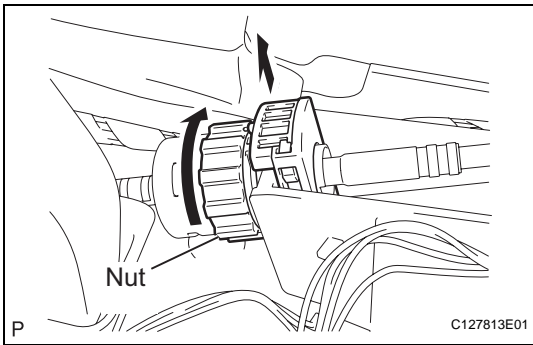


- (d) Remove the bolt and disconnect the clamp of the control cable.

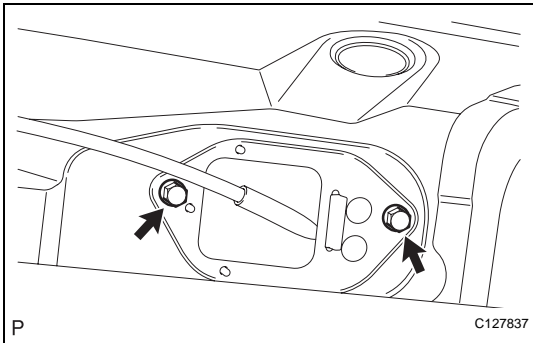


- (e) Disconnect the control cable from the shift lever.

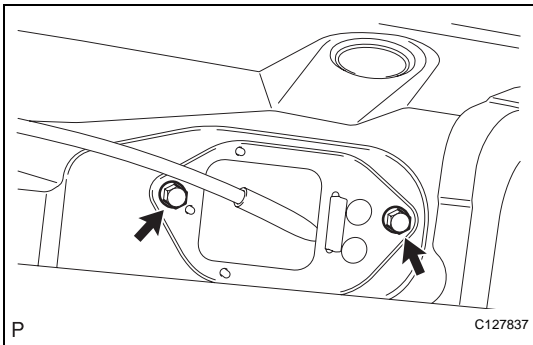
AX



- (f) Turn the nut and disconnect the control cable from the shift lever retainer.

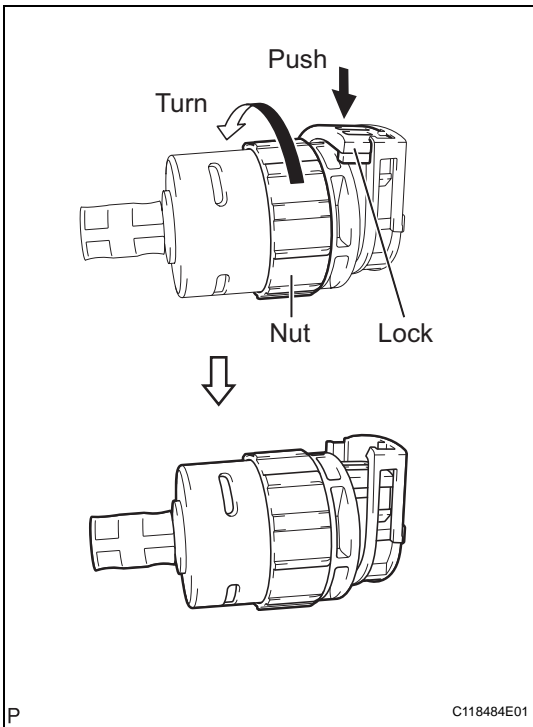


- (g) Remove the 2 bolts and control cable.



**6. INSTALL TRANSAXLE CONTROL CABLE ASSEMBLY**

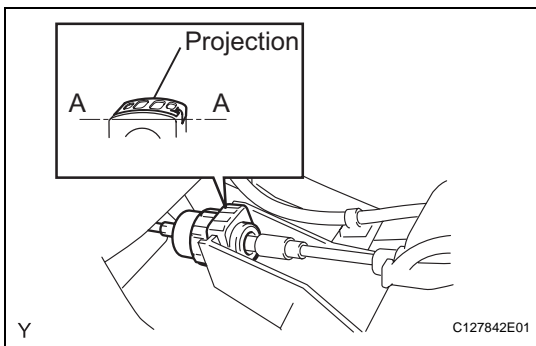
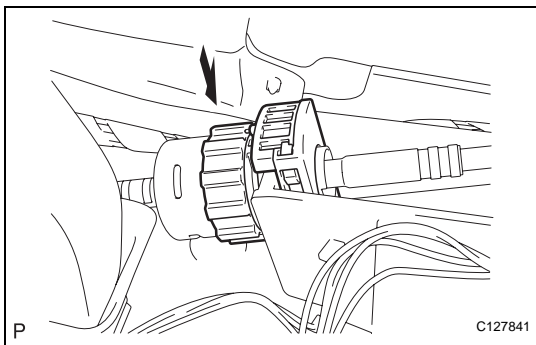
- (a) Install the control cable with the 2 bolts.  
**Torque: 5.0 N\*m (51 kgf\*cm, 44 in.\*lbf)**



- (b) Turn the nut of the control cable and push in the lock.



(c) Install the control cable onto the shift lever retainer.



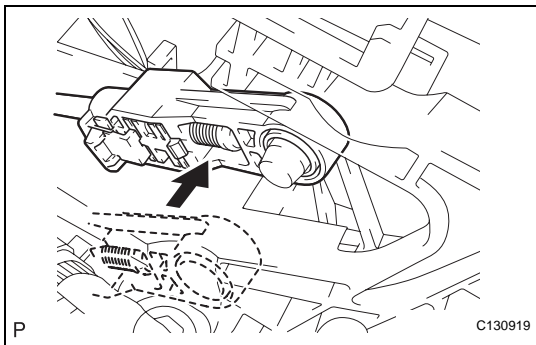
**NOTICE:**

- Install the cable with the protruding portion of the cable outer facing upward.
- After installing, check that the lock of the cable outer is protruding beyond portion A-A, as shown in the illustration.

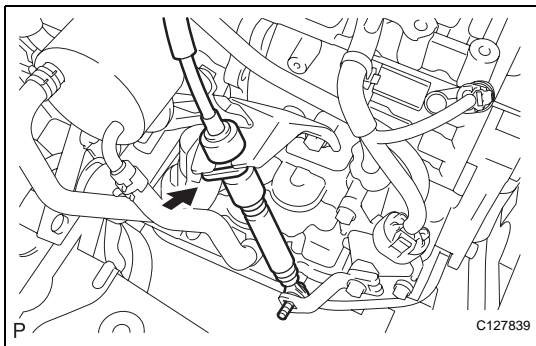
(d) Connect the control cable to the shift lever.

**NOTICE:**

- Connect the control cable so that the adjusting mechanism lock of the control cable is installed on the driver side of the vehicle.**

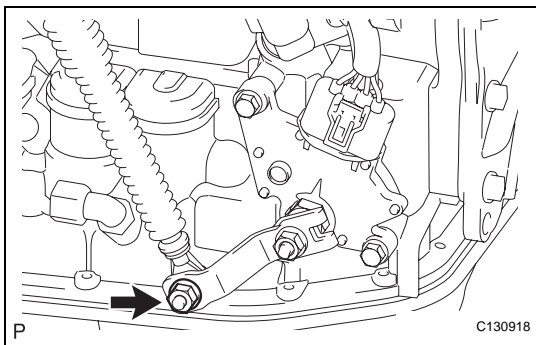


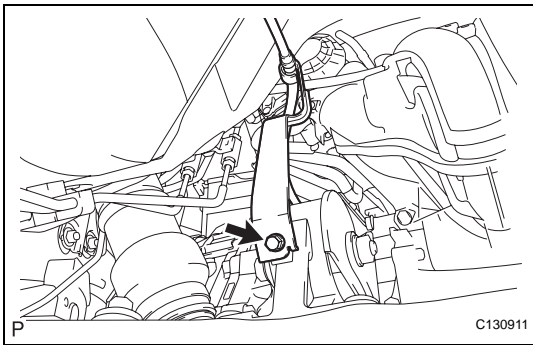
(e) Fix the control cable onto the control cable bracket with the clip.



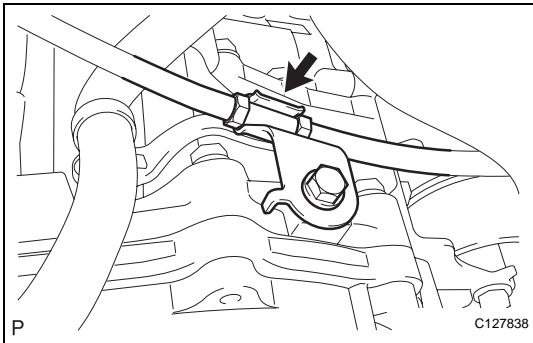
(f) Connect the control cable onto the control shaft lever with the nut.

**Torque: 12 N\*m (122 kgf\*cm, 9 ft.\*lbf)**





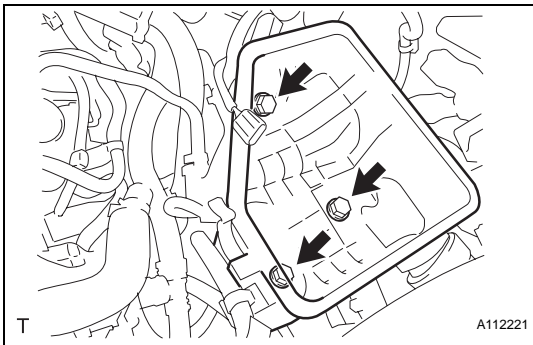
- (g) Connect the clamp of the control cable with the bolt.  
**Torque: 12 N\*m (122 kgf\*cm, 9 ft.\*lbf)**



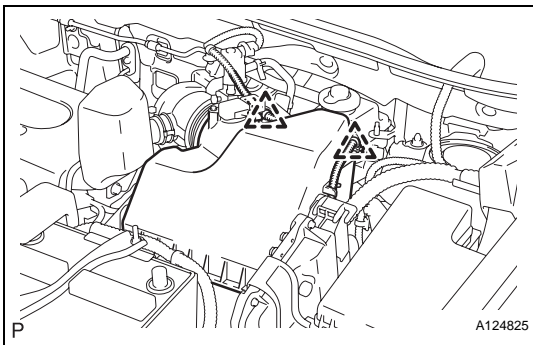
- (h) Connect the control cable to the cable support.

## 7. INSTALL AIR CLEANER ASSEMBLY

- (a) Connect the air cleaner case to the No. 1 air cleaner inlet.



- (b) Install the air cleaner case with the 4 bolts.  
**Torque: 5.0 N\*m (51 kgf\*cm, 44 in.\*lbf)**



- (c) Connect the 2 clamps of the engine wire.  
(d) Connect the mass air flow meter connector.

## 8. INSTALL BATTERY

- (a) Install the battery bracket reinforcement with the 2 bolts.  
**Torque: 20 N\*m (204 kgf\*cm, 15 ft.\*lbf)**
- (b) Install the battery carrier with the 4 bolts.  
**Torque: 20 N\*m (204 kgf\*cm, 15 ft.\*lbf)**
- (c) Install the battery tray.
- (d) Connect the 2 clamps of the engine wire.
- (e) Install the battery with the battery clamp.  
**Torque: 8.5 N\*m (87 kgf\*cm, 75 in.\*lbf) for bolt**  
**5.0 N\*m (51 kgf\*cm, 44 in.\*lbf) for nut**

## 9. CONNECT CABLE TO NEGATIVE BATTERY TERMINAL

## 10. INSPECT SHIFT LEVER POSITION

- (a) When shifting the lever from P to the R position with the ignition switch on (IG) and the brake pedal depressed, make sure that the shift lever moves smoothly and moves correctly into position.

- (b) Start the engine and make sure that the vehicle moves forward when shifting the lever from N to the D position and moves rearward when shifting the lever to the R position.

If the operation cannot be performed as specified, inspect the park/neutral position switch and check the shift lever installation condition.

**11. ADJUST SHIFT LEVER POSITION (See page [AX-138](#))**

**12. INSTALL REAR CONSOLE BOX SUB-ASSEMBLY**

- (a) Install the rear console box (see page [IP-26](#)).