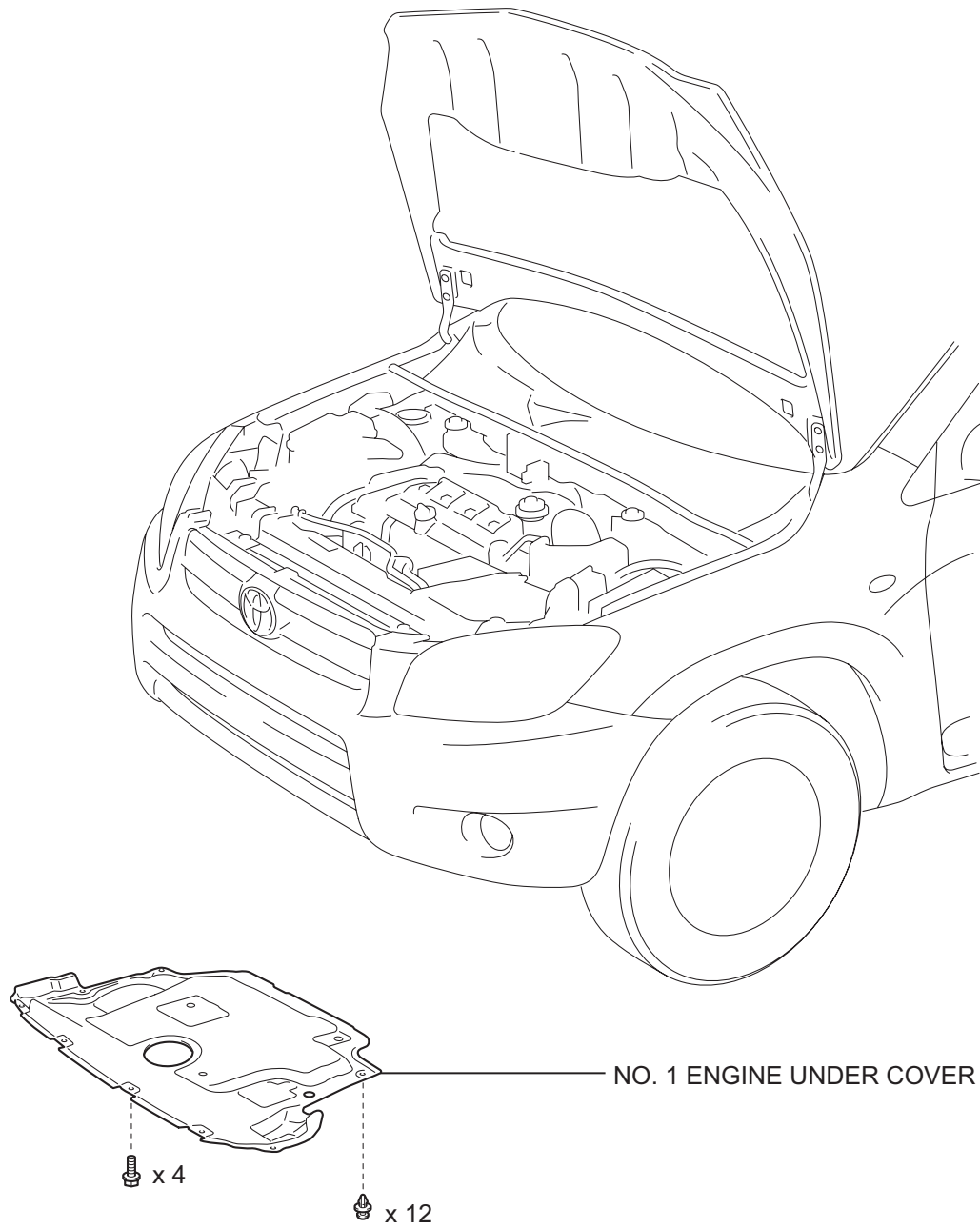


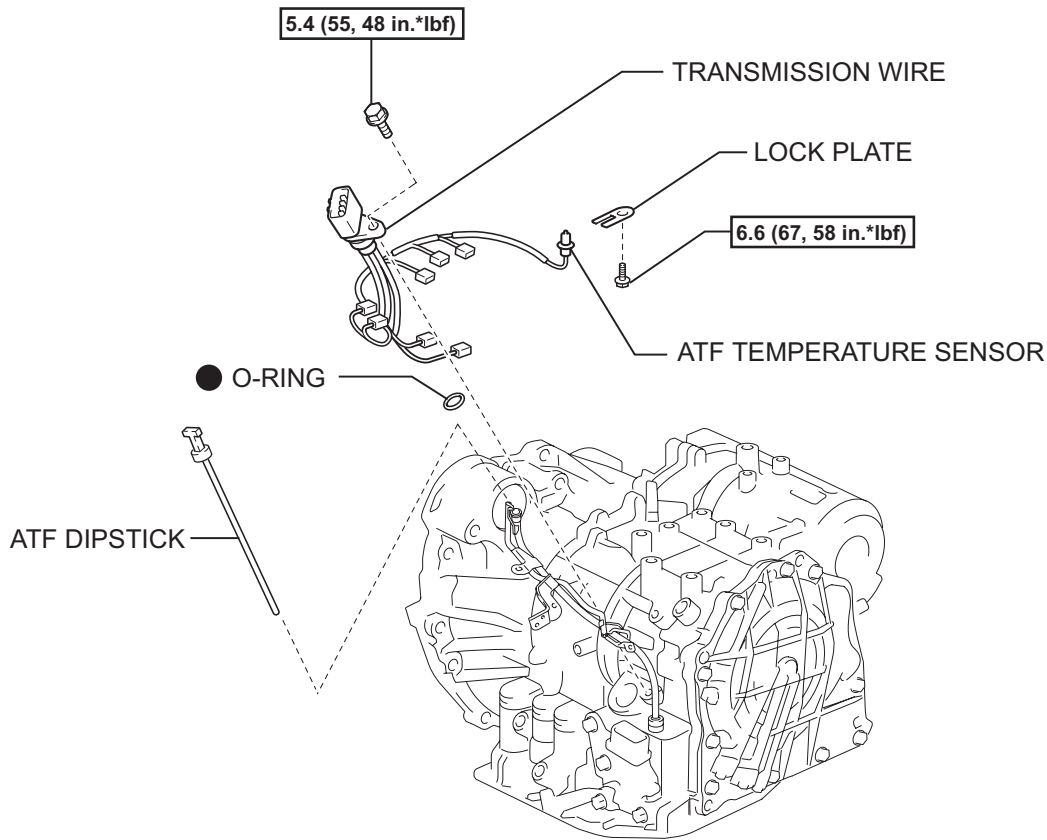
TRANSMISSION WIRE

COMPONENTS

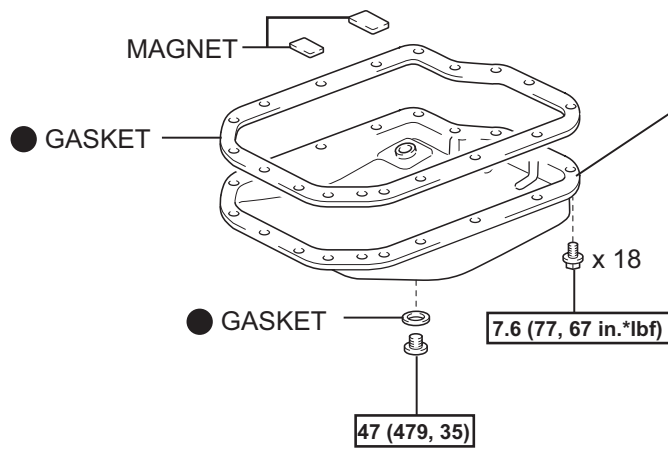
AX



AX



AUTOMATIC TRANSAXLE OIL PAN SUB-ASSEMBLY



N*m (kgf*cm, ft.*lbf) : Specified torque

● Non-reusable part