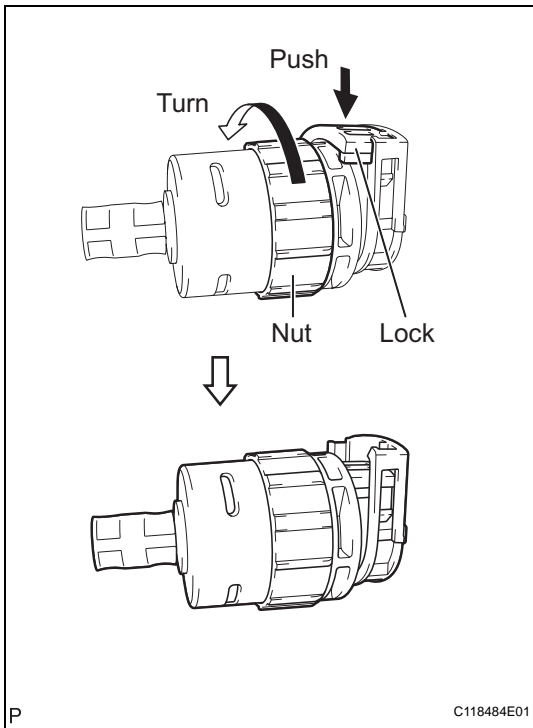
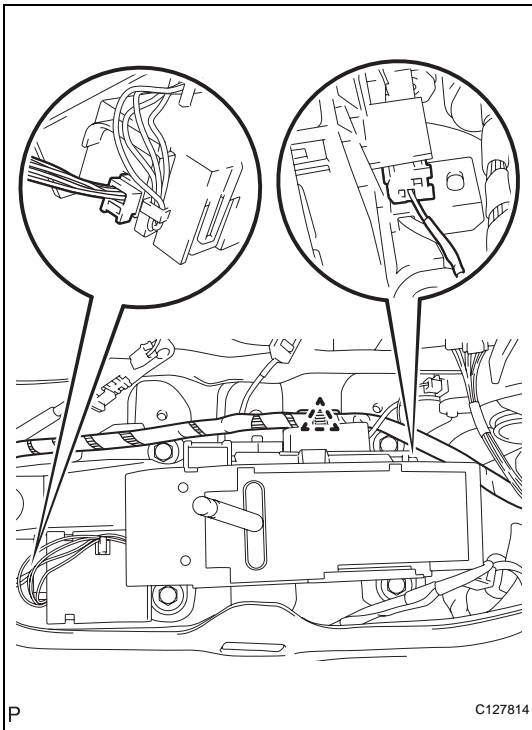


## INSTALLATION

### 1. INSTALL FLOOR SHIFT ASSEMBLY

- Connect the 2 connectors and attach the clamp.
- Install the floor shift with the 4 bolts.

**Torque: 12 N\*m (122 kgf\*cm, 9 ft.\*lbf)**



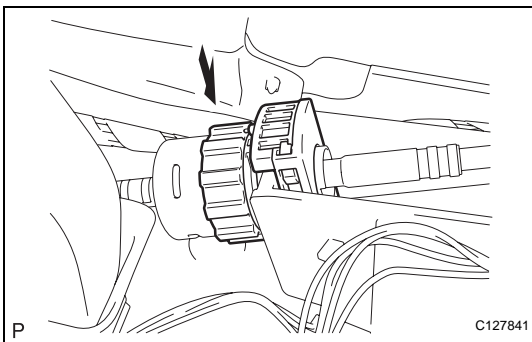
### 2. CONNECT TRANSMISSION CONTROL CABLE ASSEMBLY

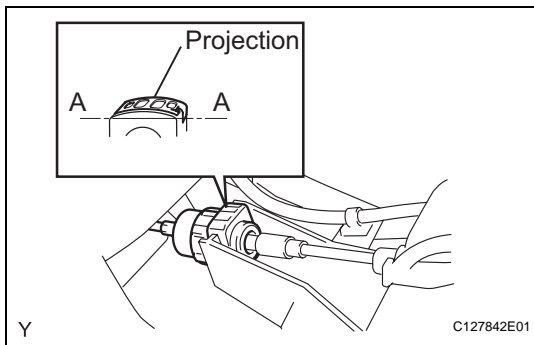
- Turn the nut of the control cable and push in the lock.

- Install the control cable onto the shift lever retainer.

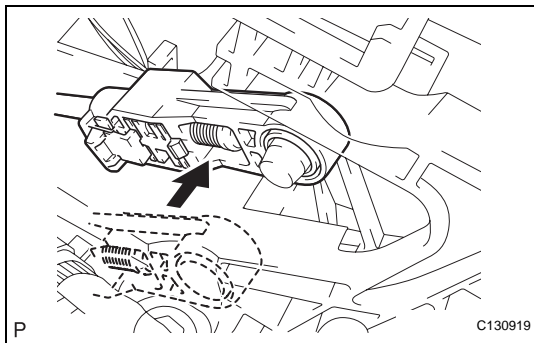
**NOTICE:**

- Install the cable with the protruding portion of the cable outer facing upward.





- After installing, check that the lock of the cable outer is protruding beyond portion A-A, as shown in the illustration.



- (c) Connect the control cable to the shift lever.

**NOTICE:**

Connect the control cable so that the adjusting mechanism lock of the control cable is installed on the driver side of the vehicle.

3. CONNECT CABLE TO NEGATIVE BATTERY TERMINAL
4. INSPECT SHIFT LEVER POSITION (See page [AX-164](#))
5. ADJUST SHIFT LEVER POSITION (See page [AX-164](#))
6. INSTALL REAR CONSOLE BOX SUB-ASSEMBLY
  - (a) Install the rear console box (see page [IP-26](#)).
7. INSTALL SHIFT LEVER KNOB SUB-ASSEMBLY