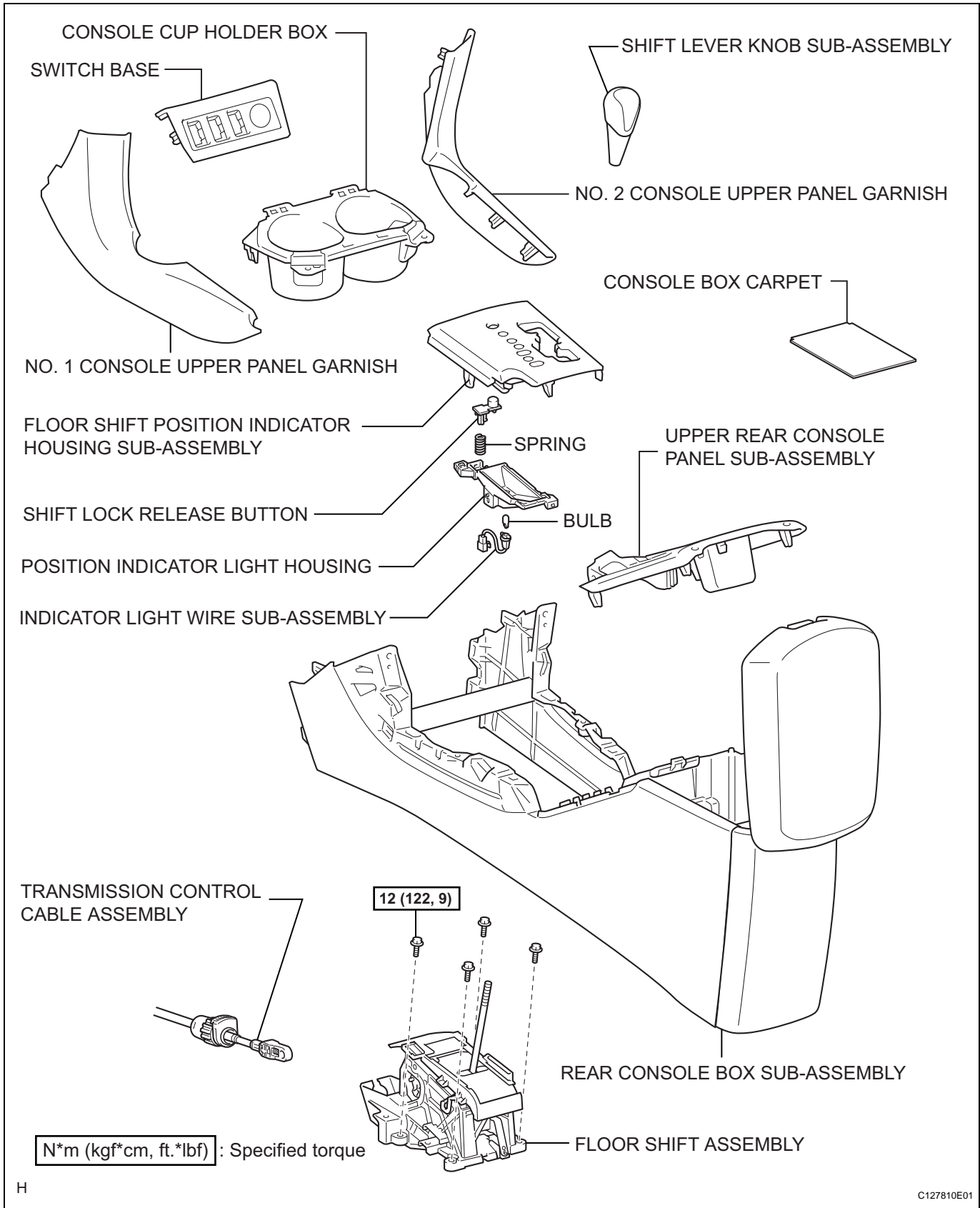


FLOOR SHIFT ASSEMBLY

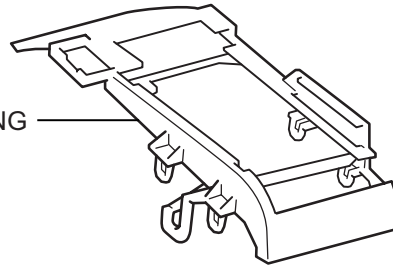
COMPONENTS

AX

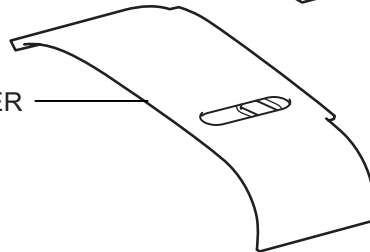


N*m (kgf*cm, ft.*lbf) : Specified torque

LOWER POSITION INDICATOR HOUSING



POSITION INDICATOR SLIDE COVER



SHIFT LOCK CONTROL UNIT ASSEMBLY

