

ADJUSTMENT

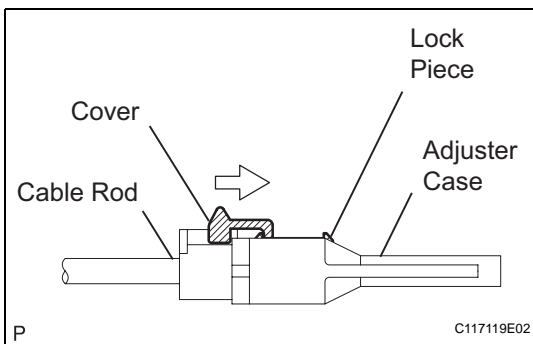
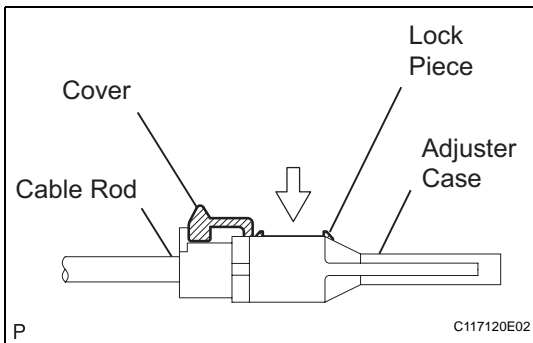
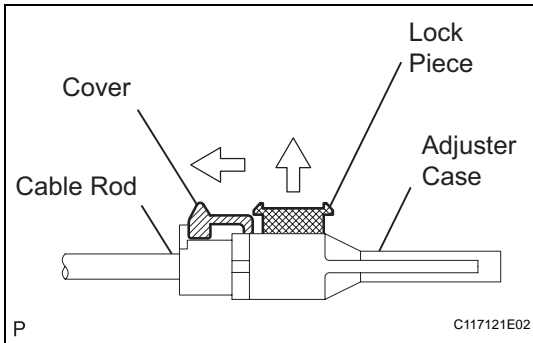
1. INSPECT SHIFT LEVER POSITION

- (a) When shifting the lever from P to the R position with the ignition switch ON and the brake pedal depressed, make sure that the shift lever moves smoothly and moves correctly into position.
- (b) Start the engine and make sure that the vehicle moves forward when shifting the lever from N to the D position and moves rearward when shifting the lever to the R position.

If the operation cannot be performed as specified, inspect the park/neutral position switch assembly and check the shift lever assembly installation condition.

2. ADJUST SHIFT LEVER POSITION

- (a) Shift the shift lever to the N position.
- (b) Slide the adjuster case cover in the direction shown in the illustration and pull out the lock piece.
- (c) Gently pull the cable rod toward the rear of the vehicle by hand to pull the cable taut.



- (d) Press the lock piece into the adjuster case and lock it.

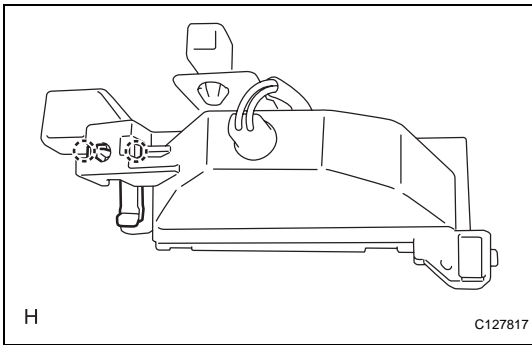
- (e) Slide the cover in the direction shown in the illustration.

NOTICE:

Slide the cover past the protrusion of the lock piece.

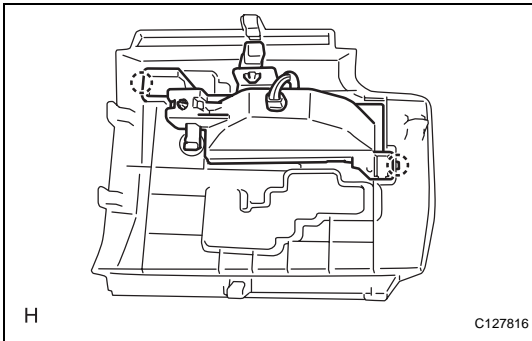
- (f) Inspect the operation.

AX

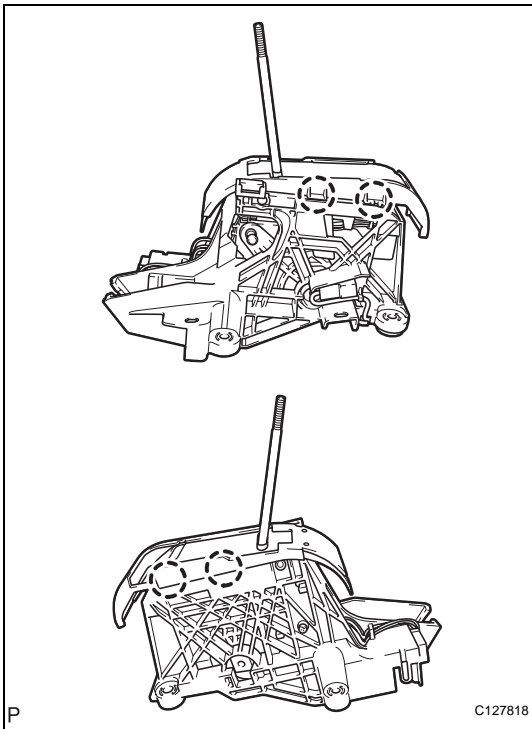


REASSEMBLY

1. **INSTALL SHIFT LOCK RELEASE BUTTON**
 - (a) Install the spring and button and attach the claws to the position indicator light housing.
2. **INSTALL INDICATOR LIGHT WIRE SUB-ASSEMBLY**



3. **INSTALL POSITION INDICATOR LIGHT HOUSING**
 - (a) Install the indicator light housing and attach the 2 claws to the shift position indicator housing.



4. **INSTALL LOWER POSITION INDICATOR HOUSING**
 - (a) Install the position indicator slide cover with slide No. 2 cover to the indicator housing.
 - (b) Install the housing and attach the 4 claws to the floor shift assembly.