

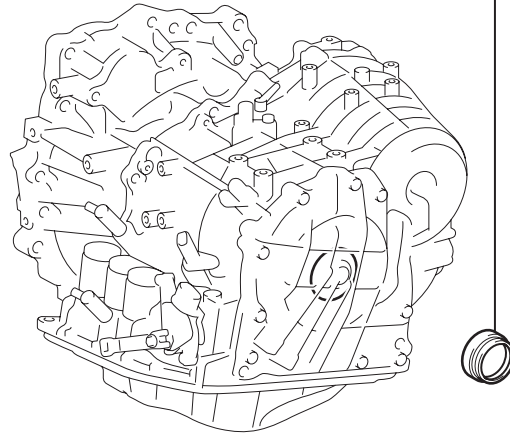
DIFFERENTIAL OIL SEAL

COMPONENTS

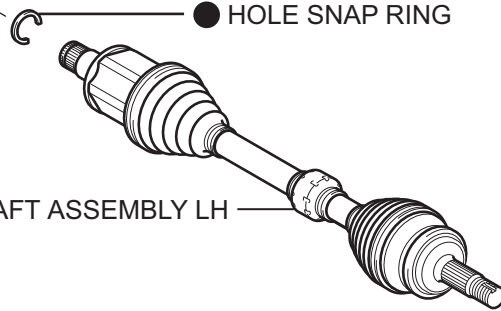
AX

for LH Side

TRANSAXLE HOUSING OIL SEAL LH

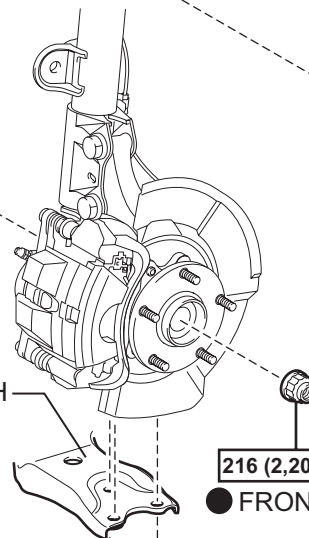


● HOLE SNAP RING



FRONT DRIVE SHAFT ASSEMBLY LH

FRONT SUSPENSION NO. 1 LOWER ARM SUB-ASSEMBLY LH



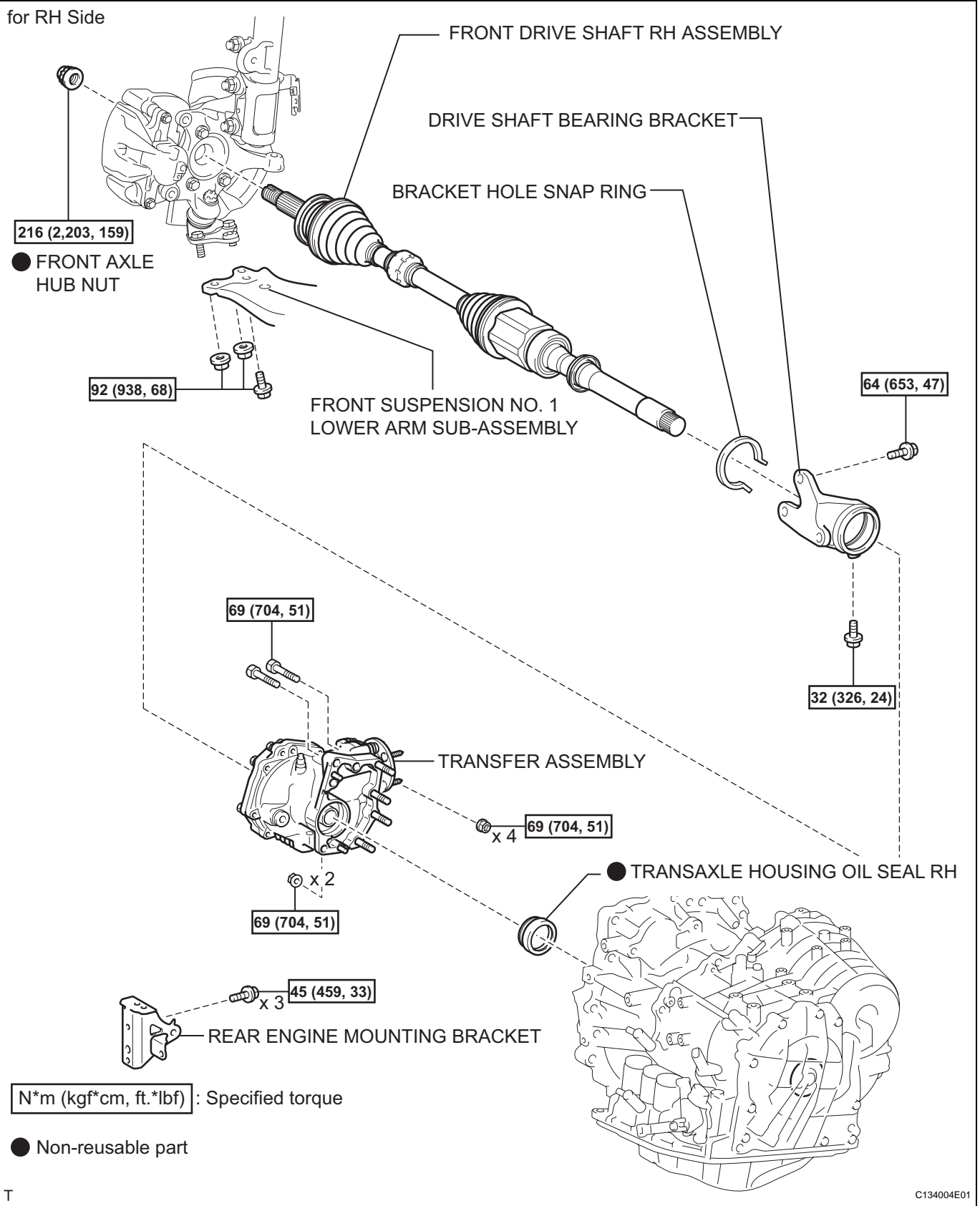
216 (2,203, 159)

● FRONT AXLE HUB NUT

N*m (kgf*cm, ft.*lbf) : Specified torque

● Non-reusable part

92 (938, 68)



T

C134004E01