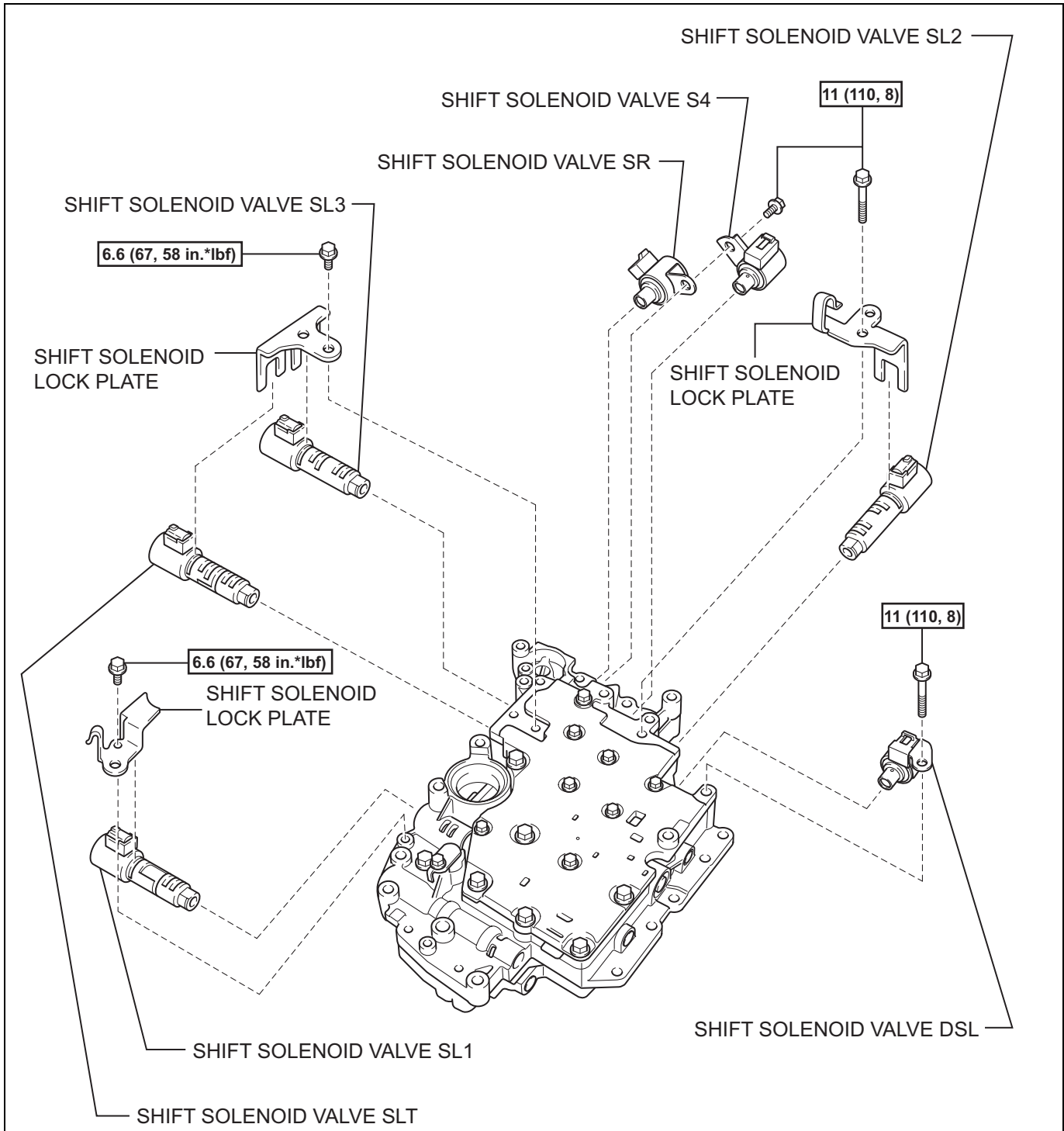
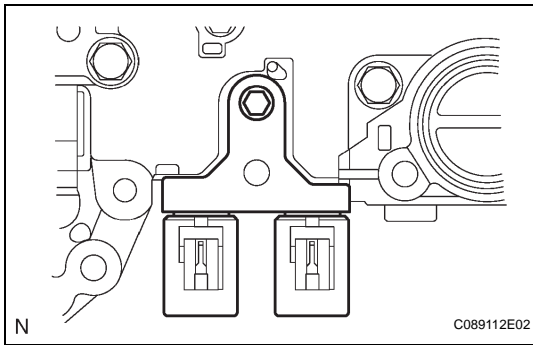


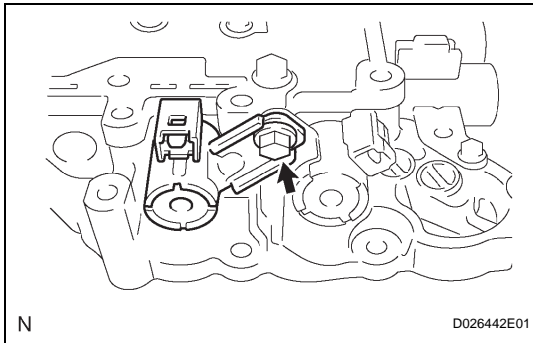
VALVE BODY COMPONENTS



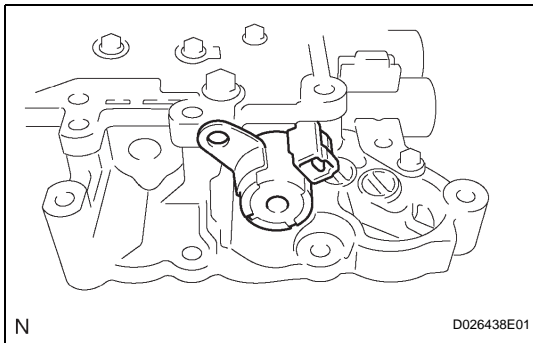
N*m (kgf*cm, ft.*lbf) : Specified torque

DISASSEMBLY

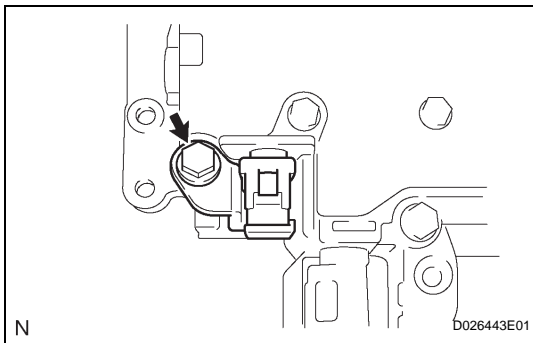
1. **REMOVE SHIFT SOLENOID VALVE SLT AND SL3**
 - (a) Remove the bolt, lock plate and shift solenoid valve SL3 and SLT from the valve body.



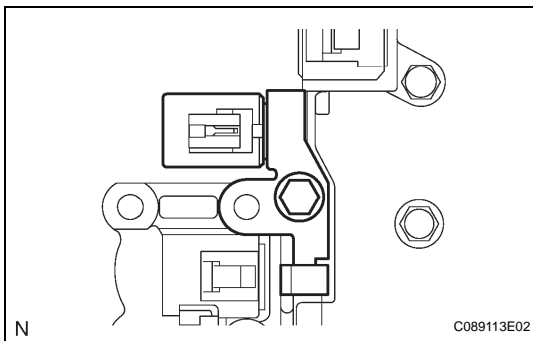
2. **REMOVE SHIFT SOLENOID VALVE S4**
 - (a) Remove the bolt and shift solenoid valve S4 from the valve body.



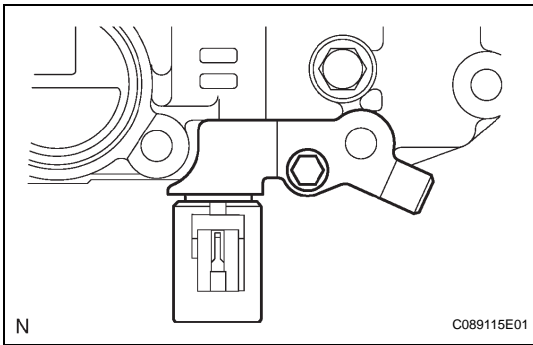
3. **REMOVE SHIFT SOLENOID VALVE SR**
 - (a) Remove the shift solenoid valve SR from the valve body.



4. **REMOVE SHIFT SOLENOID VALVE DSL**
 - (a) Remove the bolt and shift solenoid valve DSL from the valve body.

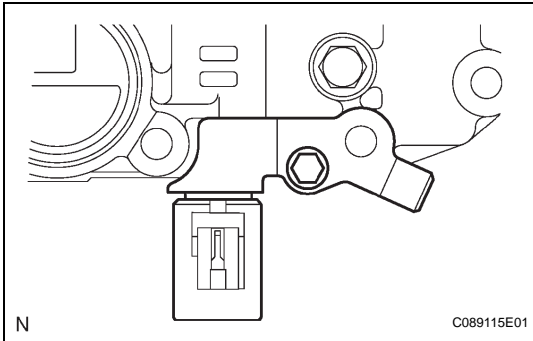


5. **REMOVE SHIFT SOLENOID VALVE SL2**
 - (a) Remove the bolt, lock plate and shift solenoid valve SL2 from the valve body.



6. REMOVE SHIFT SOLENOID VALVE SL1

- (a) Remove the bolt, lock plate and shift solenoid valve SL1 from the valve body.

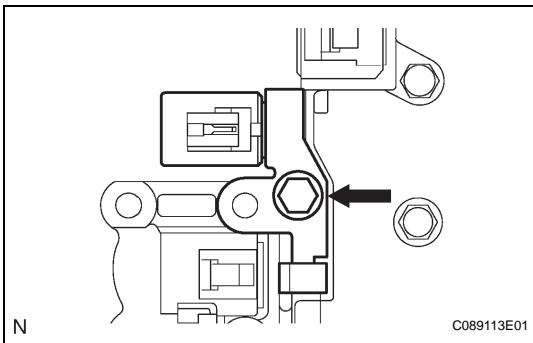


REASSEMBLY

1. INSTALL SHIFT SOLENOID VALVE SL1

- (a) Install the shift solenoid valve SL1 and lock plate to the valve body with the bolt.

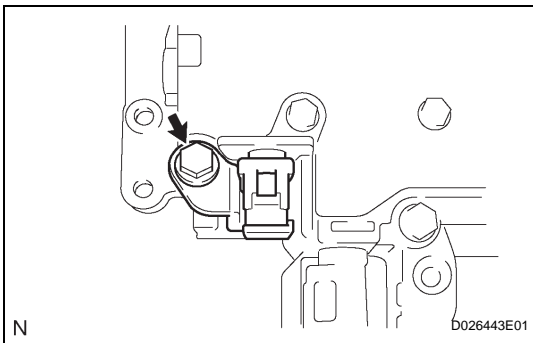
Torque: 6.6 N*m (67 kgf*cm, 58 in.*lbf)



2. INSTALL SHIFT SOLENOID VALVE SL2

- (a) Install the shift solenoid valve SL2 and lock plate to the valve body with the bolt.

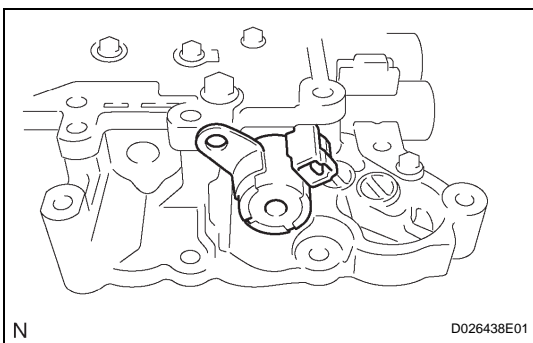
Torque: 11 N*m (110 kgf*cm, 8 ft.*lbf)



3. INSTALL SHIFT SOLENOID VALVE DSL

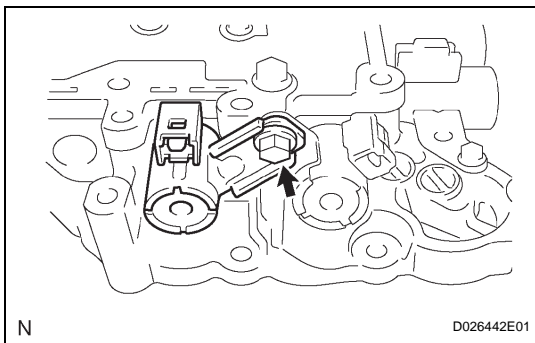
- (a) Install the shift solenoid valve DSL and lock plate to the valve body with the bolt.

Torque: 11 N*m (110 kgf*cm, 8 ft.*lbf)



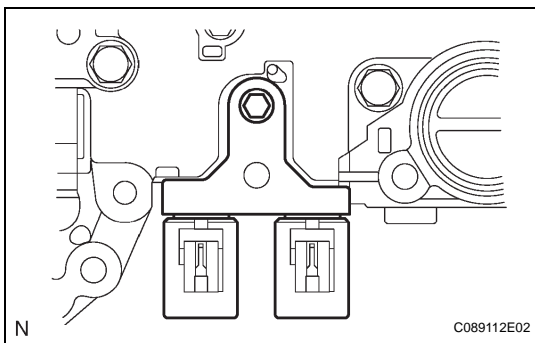
4. INSTALL SHIFT SOLENOID VALVE SR

- (a) Install the shift solenoid valve SR to the valve body.

**5. INSTALL SHIFT SOLENOID VALVE S4**

- (a) Install the shift solenoid valve S4 to the valve body with the bolt.

Torque: 11 N*m (110 kgf*cm, 8 ft.*lbf)

**6. INSTALL SHIFT SOLENOID VALVE SL3 AND SLT**

- (a) Install the shift solenoid valve SL3 and SLT and lock plate to the valve body with the bolt.

Torque: 6.6 N*m (67 kgf*cm, 58 in.*lbf)