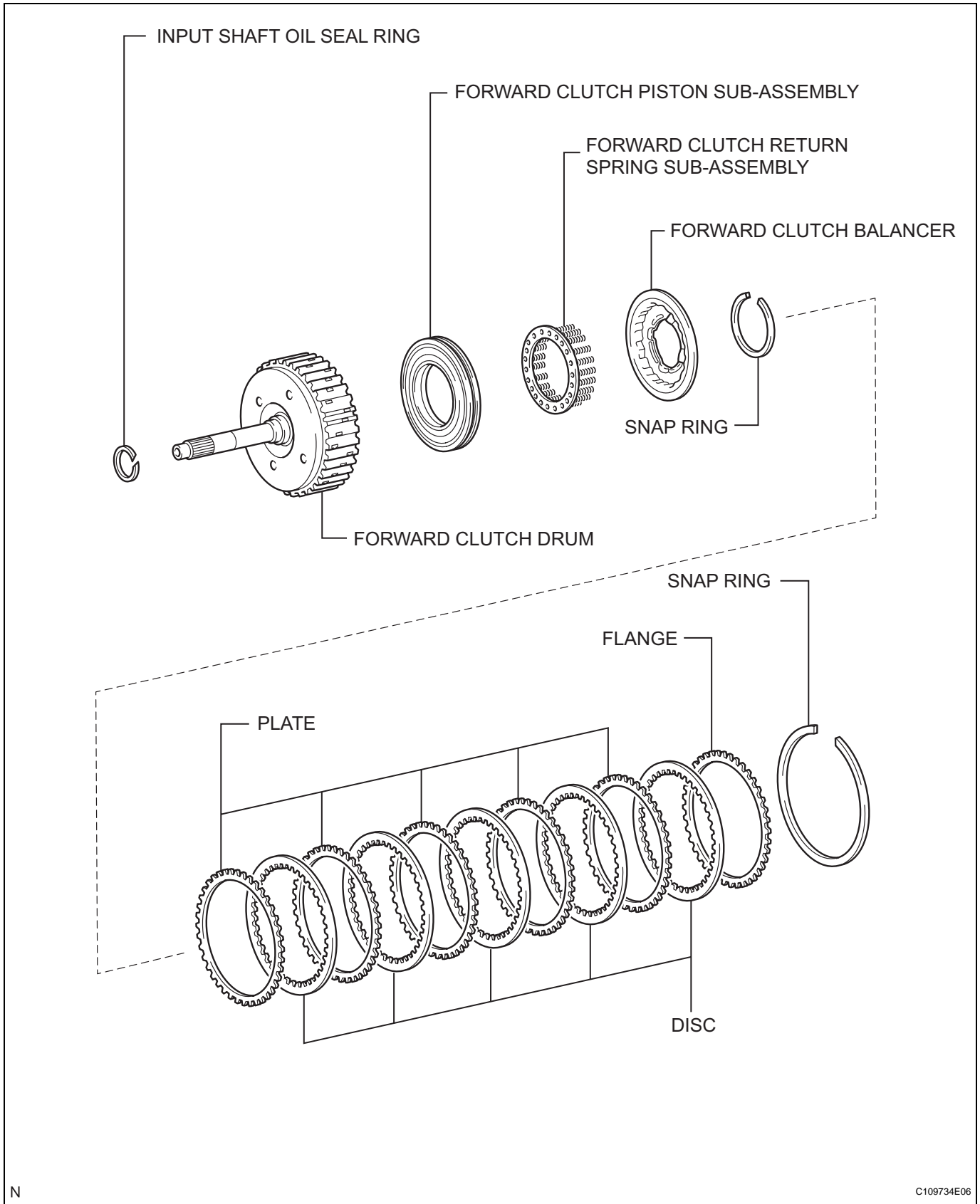


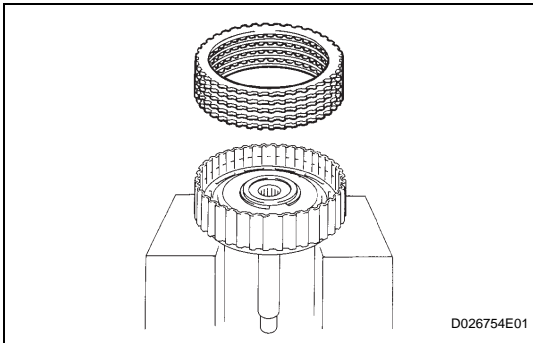
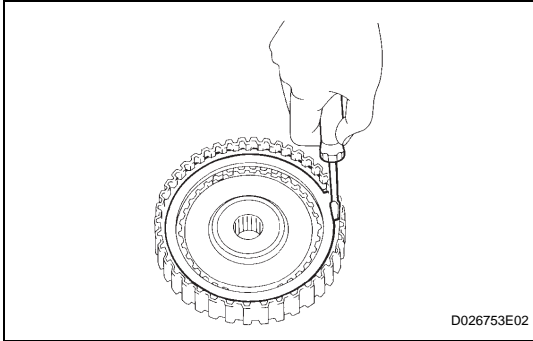
# FORWARD CLUTCH

## COMPONENTS

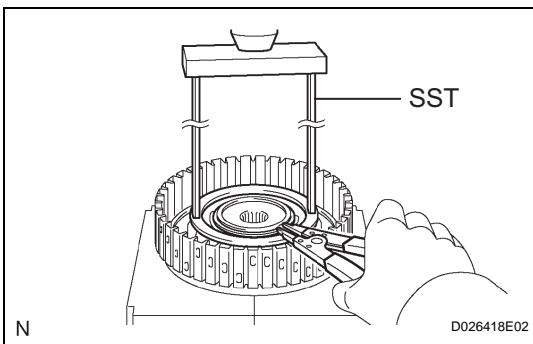


## DISASSEMBLY

1. **INSPECT PACK CLEARANCE OF FORWARD CLUTCH** (See page [AX-255](#))
2. **REMOVE FORWARD MULTIPLE DISC CLUTCH DISC**
  - (a) Using a screwdriver, remove the snap ring.



- (b) Remove the flange, 5 discs and 5 plates from the forward clutch drum.



3. **REMOVE FORWARD CLUTCH RETURN SPRING SUB-ASSEMBLY**
  - (a) Place SST on the spring retainer and compress the return spring with a press.  
**SST 09387-00020**
  - (b) Using a snap ring expander, remove the snap ring.  
**NOTICE:**
    - **Stop the press when the spring seat is lowered to a position 1 to 2 mm (0.039 to 0.078 in.) from the snap ring groove to prevent the spring seat from being deformed.**
    - **Do not expand the snap ring excessively.**
  - (c) Remove the clutch balancer from the forward clutch drum.

