

## DISASSEMBLY

### HINT:

- Use the same procedures for the RH side and LH side.
- The procedures listed below are for the LH side.

### 1. REMOVE FRONT SUSPENSION SUPPORT PLATE LH

(a) Remove the plate from the shock absorber.

### 2. REMOVE FRONT SUSPENSION SUPPORT DUST COVER LH

- (a) Using a screwdriver, remove the dust cover from the suspension support.

#### HINT:

Tape the screwdriver tip before use.

### 3. REMOVE FRONT SUPPORT TO FRONT SHOCK ABSORBER NUT

- (a) Install 2 nuts and 2 bolts to the bracket at the lower portion of the shock absorber and secure it with a vise.

- (b) Using SST, compress the coil spring.

**SST 09727-30021 (09727-00010, 09727-00021, 09727-00031)**

#### HINT:

To prevent the coil spring from being damaged, wind vinyl tape on the coil spring.

#### NOTICE:

- When holding the shock absorber with the coil spring removed, do not hold it by the spring lower seat. Also, do not knock the spring lower seat.
- Do not use an impact wrench which will damage SST.

- (c) Using SST to hold the suspension support, remove the nut.

**SST 09729-22031**

### 4. REMOVE COLLAR

- (a) Remove the collar from the suspension support.

### 5. REMOVE FRONT SUSPENSION SUPPORT SUB-ASSEMBLY LH

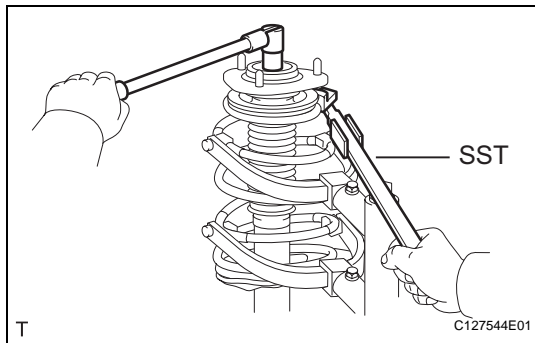
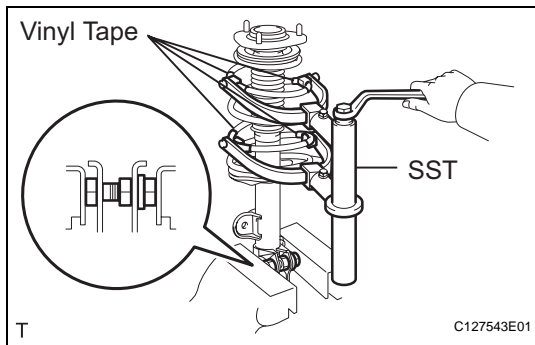
- (a) Remove the suspension support from the shock absorber.

### 6. REMOVE STRUT MOUNTING BEARING LH

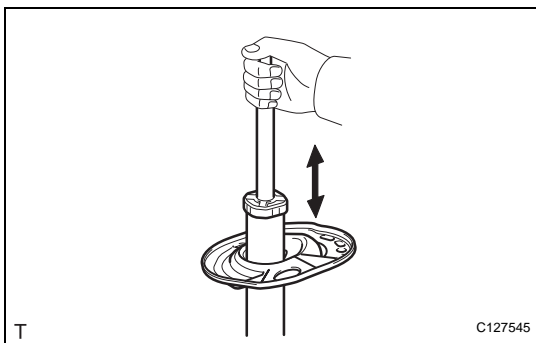
- (a) Remove the mounting bearing from the suspension support.

#### NOTICE:

- When removing the bearing, the suspension support may become stuck. Use a screwdriver or equivalent to remove the bearing.
- Make sure not to use excessive force when removing the bearing as it may come apart.



7. **REMOVE FRONT COIL SPRING INSULATOR UPPER LH**
  - (a) Remove the insulator upper from the shock absorber.
8. **REMOVE FRONT SPRING BUMPER LH**
  - (a) Remove the spring bumper from the shock absorber.
9. **REMOVE FRONT COIL SPRING LH**
  - (a) Remove the coil spring from the shock absorber.
  - (b) Remove SST from the coil spring.
10. **REMOVE FRONT COIL SPRING INSULATOR LOWER LH**
  - (a) Remove the insulator lower from the shock absorber.



## INSPECTION

1. **INSPECT FRONT SHOCK ABSORBER ASSEMBLY LH**
  - (a) Compress and extend the shock absorber rod 4 times or more. Check that there is no abnormal resistance or unusual sound during the operation. If there is any abnormality, replace the shock absorber assembly with a new one.

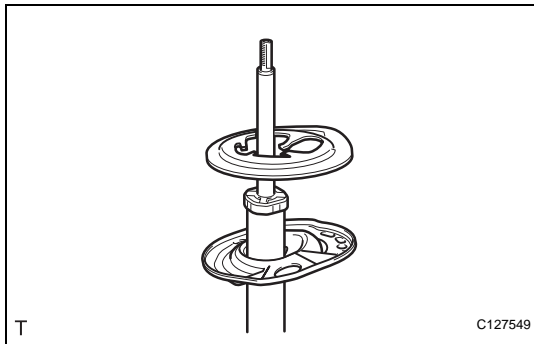
### NOTICE:

**When disposing of the shock absorber, see DISPOSAL (see page [SP-19](#)).**

## REASSEMBLY

### HINT:

- Use the same procedures for the RH side and LH side.
- The procedures listed below are for the LH side.

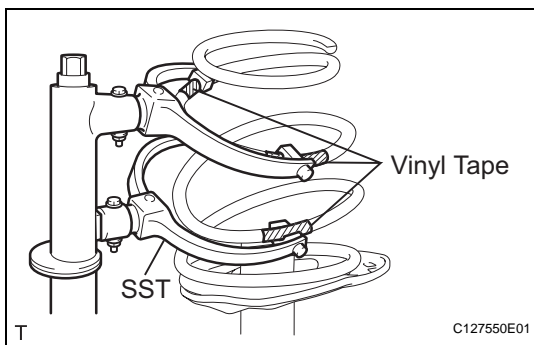


### 1. INSTALL FRONT COIL SPRING INSULATOR LOWER LH

- (a) Install the insulator lower to the shock absorber.

### 2. INSTALL FRONT SPRING BUMPER LH

- (a) Install the spring bumper to the shock absorber.



### 3. INSTALL FRONT COIL SPRING LH

- (a) Using SST, compress the coil spring.  
**SST 09727-30021 (09727-00010, 09727-00021, 09727-00031)**

#### HINT:

To prevent the coil spring from being damaged, wind vinyl tape around the coil spring.

#### NOTICE:

**Do not use an impact wrench which will damage SST.**

- (b) Install the coil spring to the shock absorber.

#### HINT:

Fit the lower end of the coil spring to the gap of the lower spring seat.

### 4. INSTALL FRONT COIL SPRING INSULATOR UPPER LH

- (a) Install the insulator upper to the shock absorber.

### 5. INSTALL STRUT MOUNTING BEARING LH

- (a) Install the mounting bearing to the insulator upper.

### 6. INSTALL COLLAR

- (a) Install the collar to the suspension support side.

### 7. INSTALL FRONT SUSPENSION SUPPORT SUB-ASSEMBLY LH

- (a) Install the suspension support to the shock absorber.

### 8. REMOVE FRONT SUPPORT TO FRONT SHOCK ABSORBER NUT

- (a) Using SST to hold the spring upper seat, install a new nut.

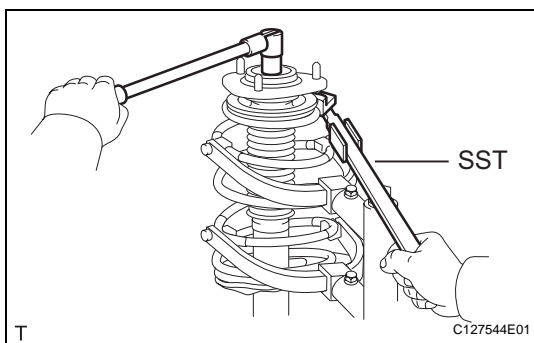
**SST 09729-22031**

- (b) Remove SST.

**SST 09727-30021 (09727-00021, 09727-00031)**

#### NOTICE:

**When removing SST, make sure that the suspension support is not in an inclined position, as the bearing may come apart.**



- 9. INSTALL FRONT SUSPENSION SUPPORT DUST COVER LH**
  - (a) Install the dust cover to the shock absorber.
- 10. INSTALL FRONT SUSPENSION SUPPORT PLATE LH**
  - (a) Install the support plate to the shock absorber with coil spring.