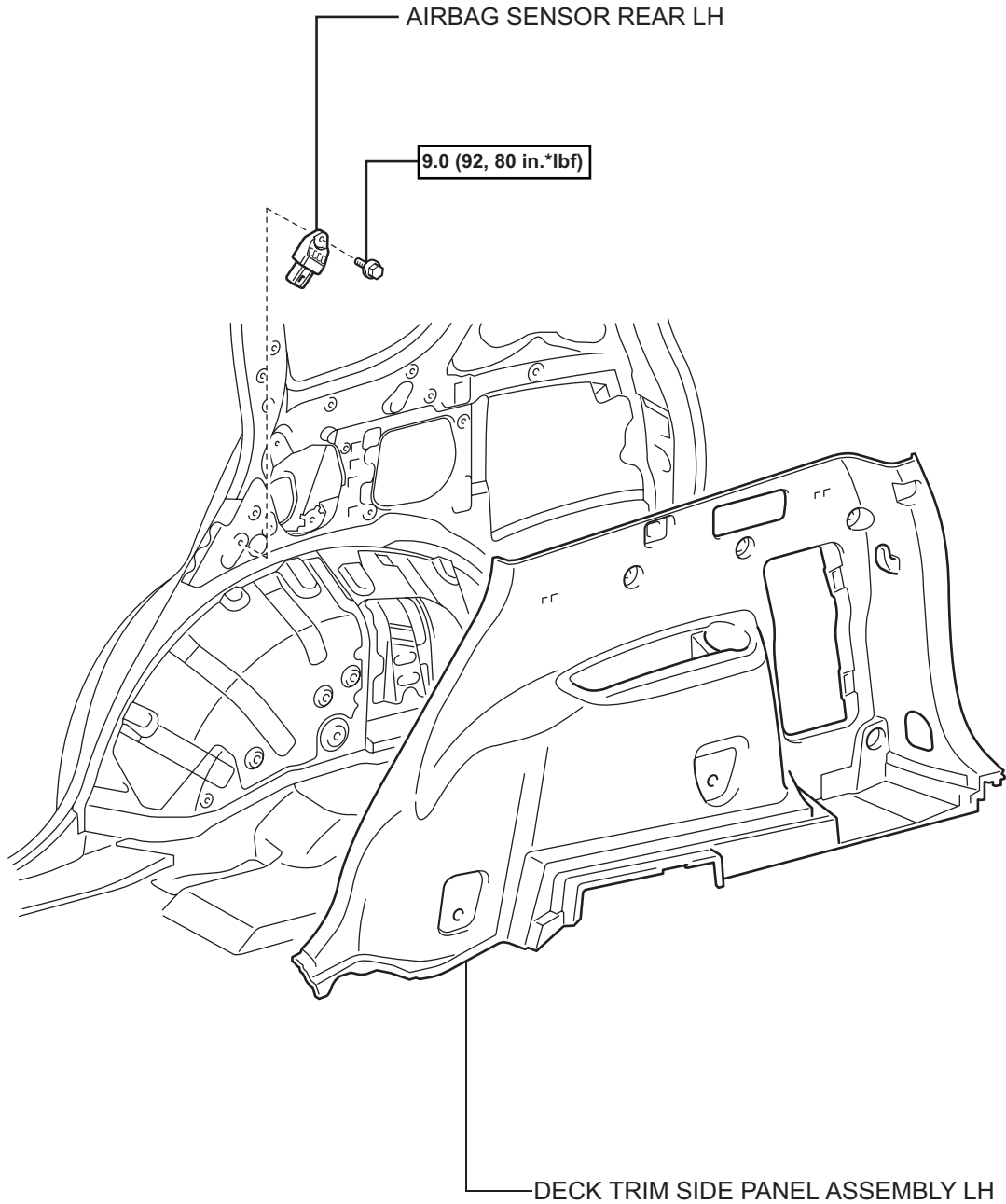


REAR AIRBAG SENSOR

COMPONENTS



N*m (kgf*cm, ft.*lbf) : Specified torque

RS

ON-VEHICLE INSPECTION

1. **CHECK REAR AIRBAG SENSOR (VEHICLE NOT INVOLVED IN COLLISION)**
 - (a) Perform a diagnostic system check (see page [RS-49](#)).

2. **CHECK REAR AIRBAG SENSOR (VEHICLE INVOLVED IN COLLISION AND AIRBAG HAS NOT DEPLOYED)**
 - (a) Perform a diagnostic system check (see page [RS-49](#)).
 - (b) When the quarter panel of the vehicle or its periphery is damaged, check if there is any damage to the rear airbag sensor. If there are any defects as mentioned below, replace the rear airbag sensor with a new one:
 - Cracks, dents or chips on the sensor housing.
 - Cracks or other damage to the connector.
 - Peeling off of the label or damage to the serial number.

CAUTION:
For removal and installation procedures of the rear airbag sensor, be sure to following the correct procedure.

3. **CHECK REAR AIRBAG SENSOR (VEHICLE INVOLVED IN COLLISION AND AIRBAG HAS DEPLOYED)**
 - (a) Replace the rear airbag sensor.

CAUTION:

 - For removal and installation procedures of the rear airbag sensor, be sure to follow the correct procedure.
 - If the airbags have deployed, replace the side airbag sensor on the side in which the collision occurred. Replace both if necessary.