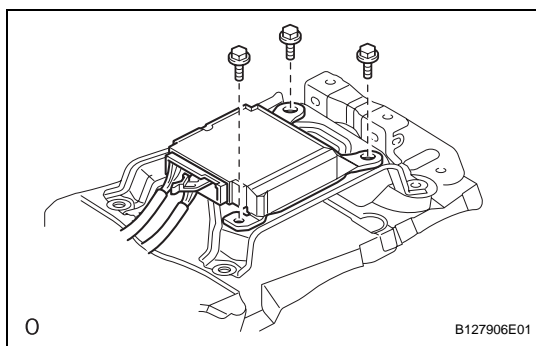


REMOVAL

CAUTION:

Be sure to read the precautionary notices concerning the SRS airbag system before servicing it (see page [RS-1](#)).

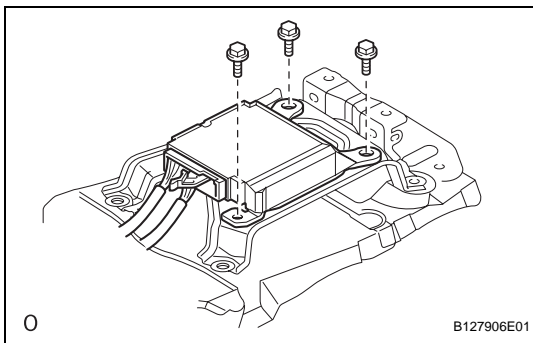
1. DISCONNECT CABLE FROM NEGATIVE BATTERY TERMINAL
CAUTION:
Wait at least 90 seconds after disconnecting the cable from the negative (-) battery terminal to prevent airbag and seat belt pretensioner activation.
2. REMOVE NO. 1 CONSOLE UPPER PANEL GARNISH (See page [IP-17](#))
3. REMOVE NO. 2 CONSOLE UPPER PANEL GARNISH (See page [IP-18](#))
4. REMOVE UPPER CONSOLE PANEL SUB-ASSEMBLY (See page [IP-18](#))
5. REMOVE SWITCH BASE (See page [IP-18](#))
6. REMOVE CONSOLE CUP HOLDER BOX (See page [IP-18](#))
7. REMOVE UPPER REAR CONSOLE PANEL SUB-ASSEMBLY (See page [IP-19](#))
8. REMOVE CONSOLE REAR END PANEL (See page [IP-19](#))
9. REMOVE NO. 1 INSTRUMENT PANEL BRACKET COVER INNER LH (See page [IP-19](#))
10. REMOVE NO. 1 INSTRUMENT PANEL BRACKET COVER INNER RH (See page [IP-19](#))
11. REMOVE REAR CONSOLE BOX ASSEMBLY (See page [IP-20](#))
12. REMOVE CENTER AIRBAG SENSOR ASSEMBLY
 - (a) Disconnect the airbag sensor connectors.
 - (b) Remove the 3 bolts and airbag sensor.



INSTALLATION

CAUTION:

Be sure to read the precautionary notices concerning the SRS airbag system before servicing it (see page [RS-1](#)).



1. INSTALL CENTER AIRBAG SENSOR ASSEMBLY

- (a) Install the airbag sensor with the 3 bolts.

Torque: 17.5 N*m (179 kgf*cm, 13 ft.*lbf)

NOTICE:

- If the airbag sensor has been dropped, or there are any cracks, dents or other defects in the case, bracket or connector, replace it with a new one.
- When installing the airbag sensor, be careful that the SRS wiring does not interfere with other parts and that it is not pinched between other parts.

- (b) Connect the airbag sensor connectors.

2. INSTALL REAR CONSOLE BOX ASSEMBLY (See page [IP-26](#))
3. INSTALL NO. 1 INSTRUMENT PANEL BRACKET COVER INNER LH (See page [IP-26](#))
4. INSTALL NO. 1 INSTRUMENT PANEL BRACKET COVER INNER RH (See page [IP-26](#))
5. INSTALL CONSOLE REAR END PANEL (See page [IP-26](#))
6. INSTALL UPPER REAR CONSOLE PANEL SUB-ASSEMBLY (See page [IP-27](#))
7. INSTALL CONSOLE CUP HOLDER BOX (See page [IP-27](#))
8. INSTALL SWITCH BASE (See page [IP-27](#))
9. INSTALL UPPER CONSOLE PANEL SUB-ASSEMBLY (See page [IP-27](#))
10. INSTALL NO. 2 CONSOLE UPPER PANEL GARNISH (See page [IP-28](#))
11. INSTALL NO. 1 CONSOLE UPPER PANEL GARNISH (See page [IP-28](#))
12. CONNECT CABLE TO NEGATIVE BATTERY TERMINAL
13. CHECK SRS WARNING LIGHT
 - (a) Check the SRS warning light (see page [RS-34](#)).