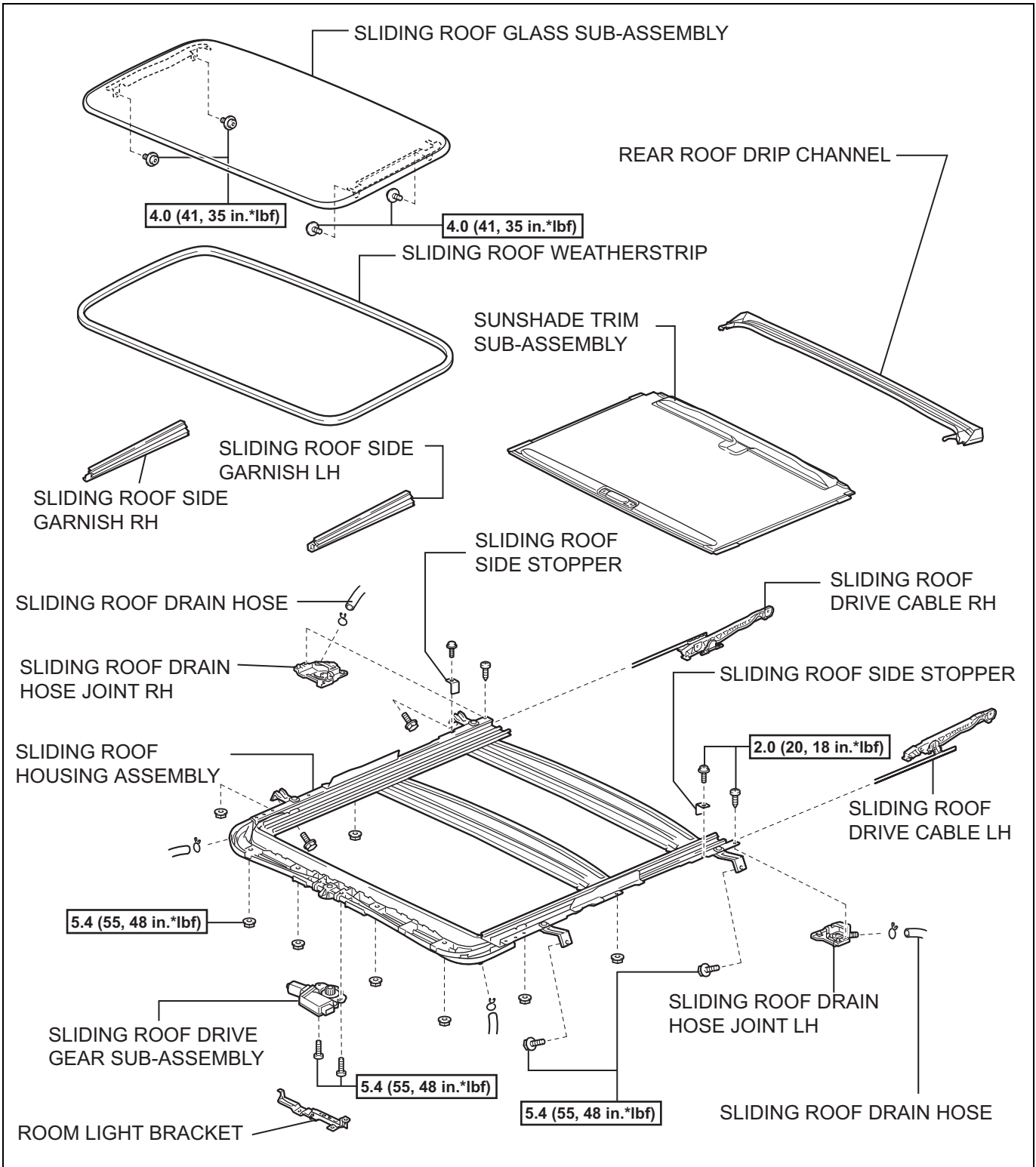


COMPONENTS

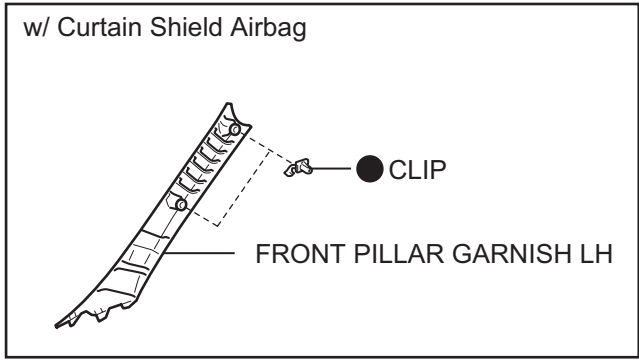
(2006/01-)

RF

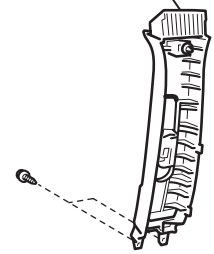


N*m (kgf*cm, ft.*lbf) : Specified torque

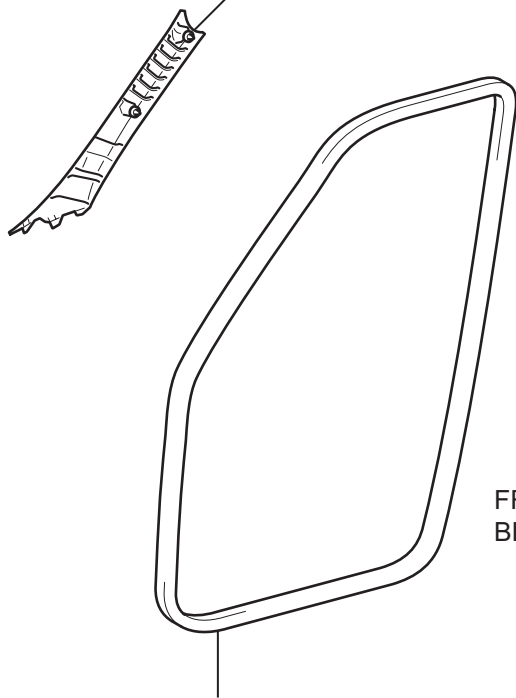
w/ Curtain Shield Airbag



CENTER PILLAR GARNISH LH



FRONT PILLAR GARNISH LH

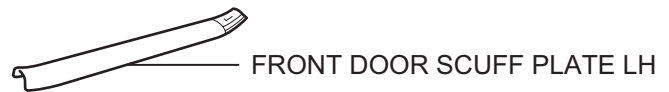
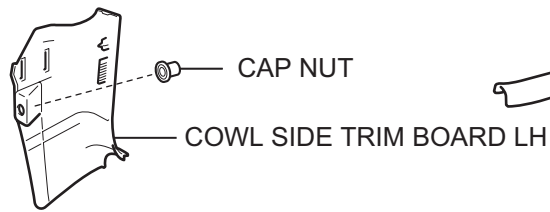
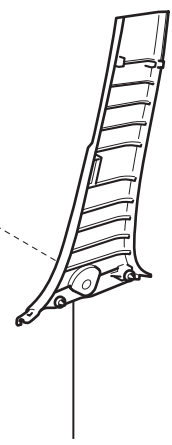


LAP BELT OUTER ANCHOR COVER

42 (428, 31)

FRONT SEAT OUTER BELT ASSEMBLY LH

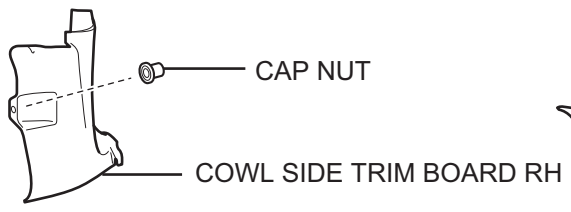
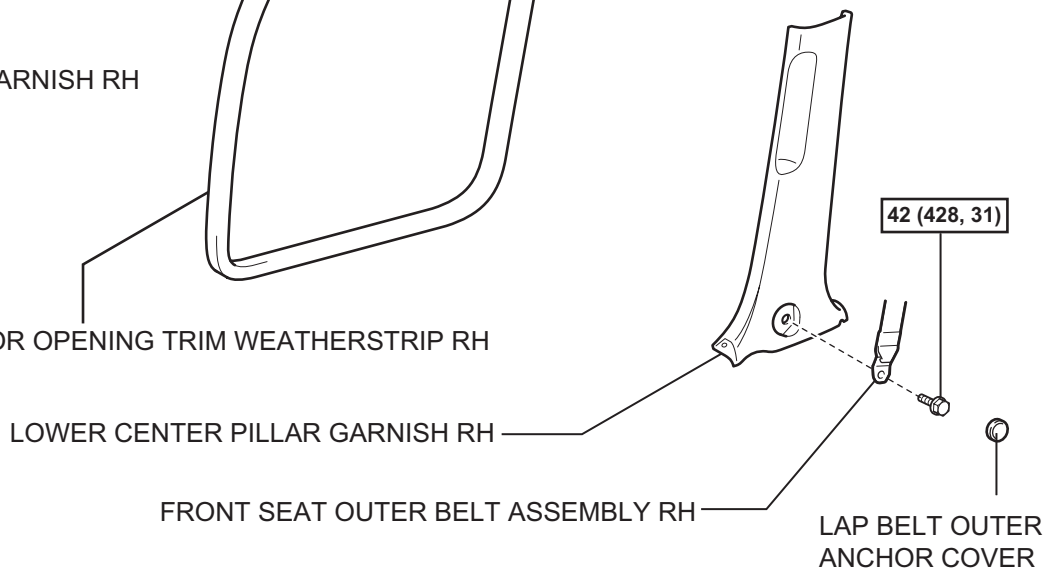
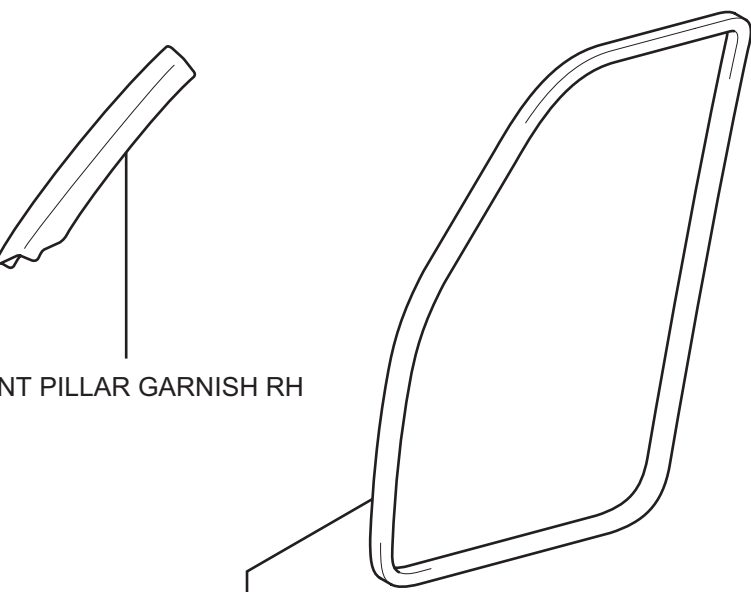
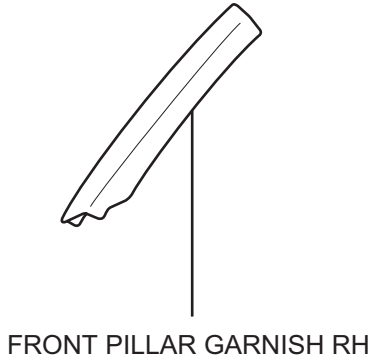
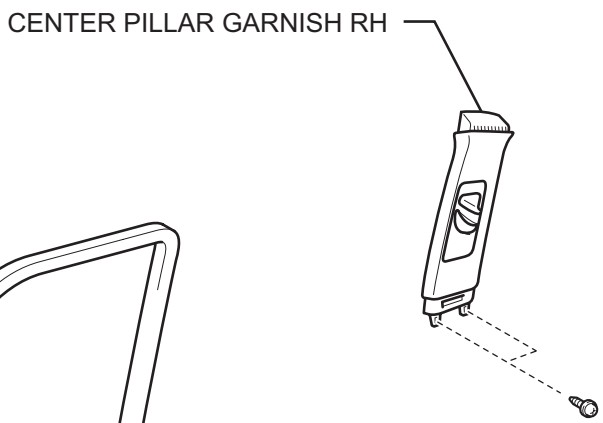
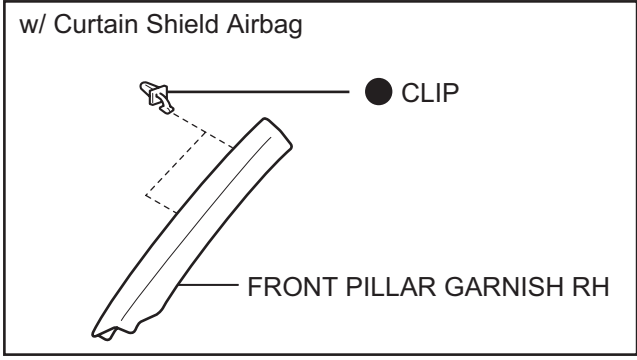
LOWER CENTER PILLAR GARNISH LH



$N \cdot m$ (kgf \cdot cm, ft. \cdot lbf) : Specified torque

● Non-reusable part

RF

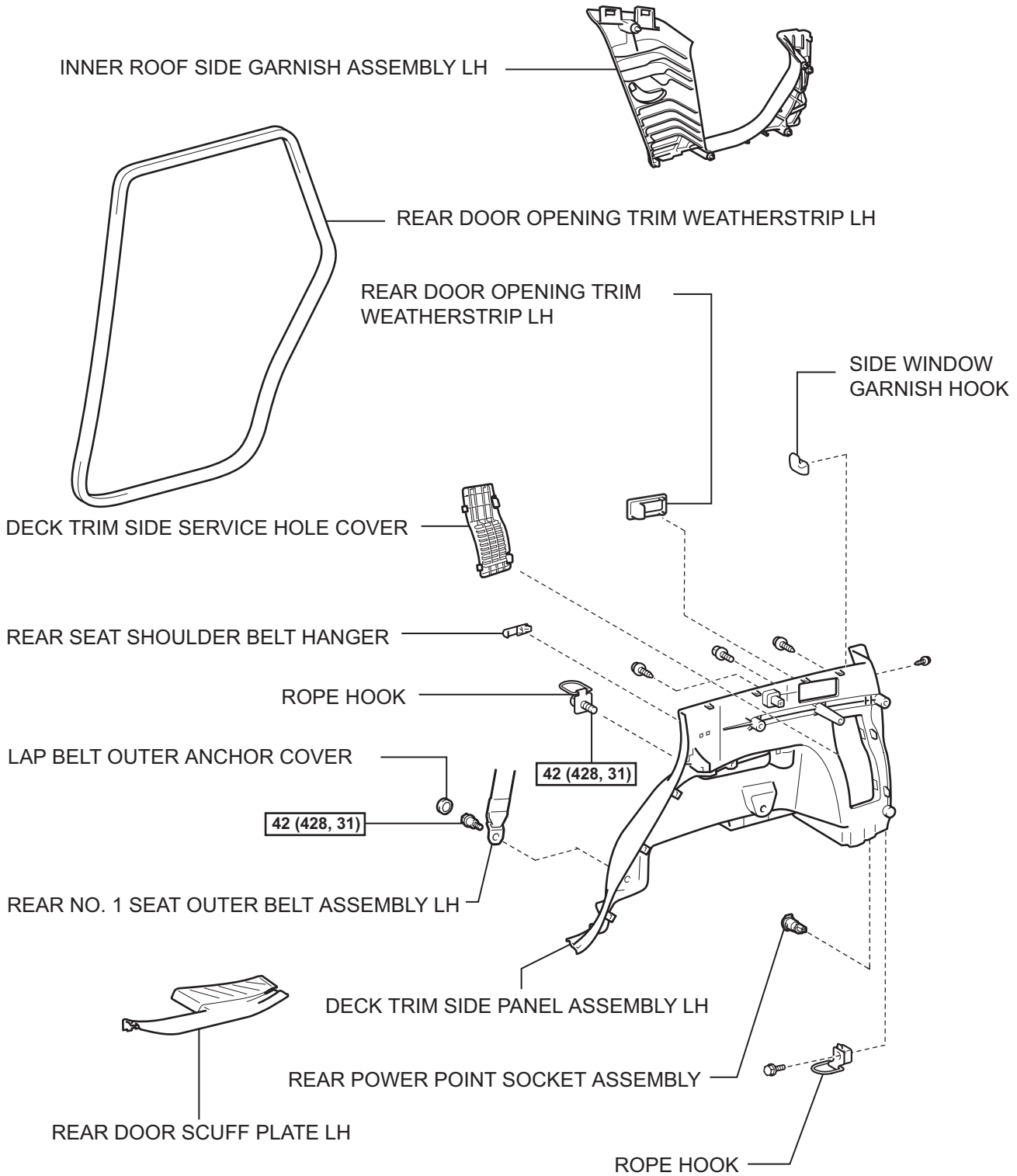


N*m (kgf*cm, ft.*lbf) : Specified torque

● Non-reusable part

w/o Rear No. 2 Seat

RF



$\boxed{N*m (kgf*cm, ft.*lbf)}$: Specified torque

w/ Rear No. 2 Seat

RF

INNER ROOF SIDE GARNISH ASSEMBLY LH — [42 (428, 31)]

REAR NO. 2 SEAT OUTER BELT ASSEMBLY LH

[42 (428, 31)]

REAR DECK TRIM COVER LH

REAR SEAT SHOULDER BELT HANGER

REAR DOOR OPENING TRIM WEATHERSTRIP LH

SIDE WINDOW GARNISH HOOK

DECK TRIM SIDE SERVICE HOLE COVER

REAR SEAT SHOULDER BELT HANGER

REAR NO. 1 SEAT OUTER BELT ASSEMBLY LH

LAP BELT OUTER ANCHOR COVER

[42 (428, 31)]

DECK TRIM SIDE PANEL ASSEMBLY LH

REAR POWER POINT SOCKET ASSEMBLY

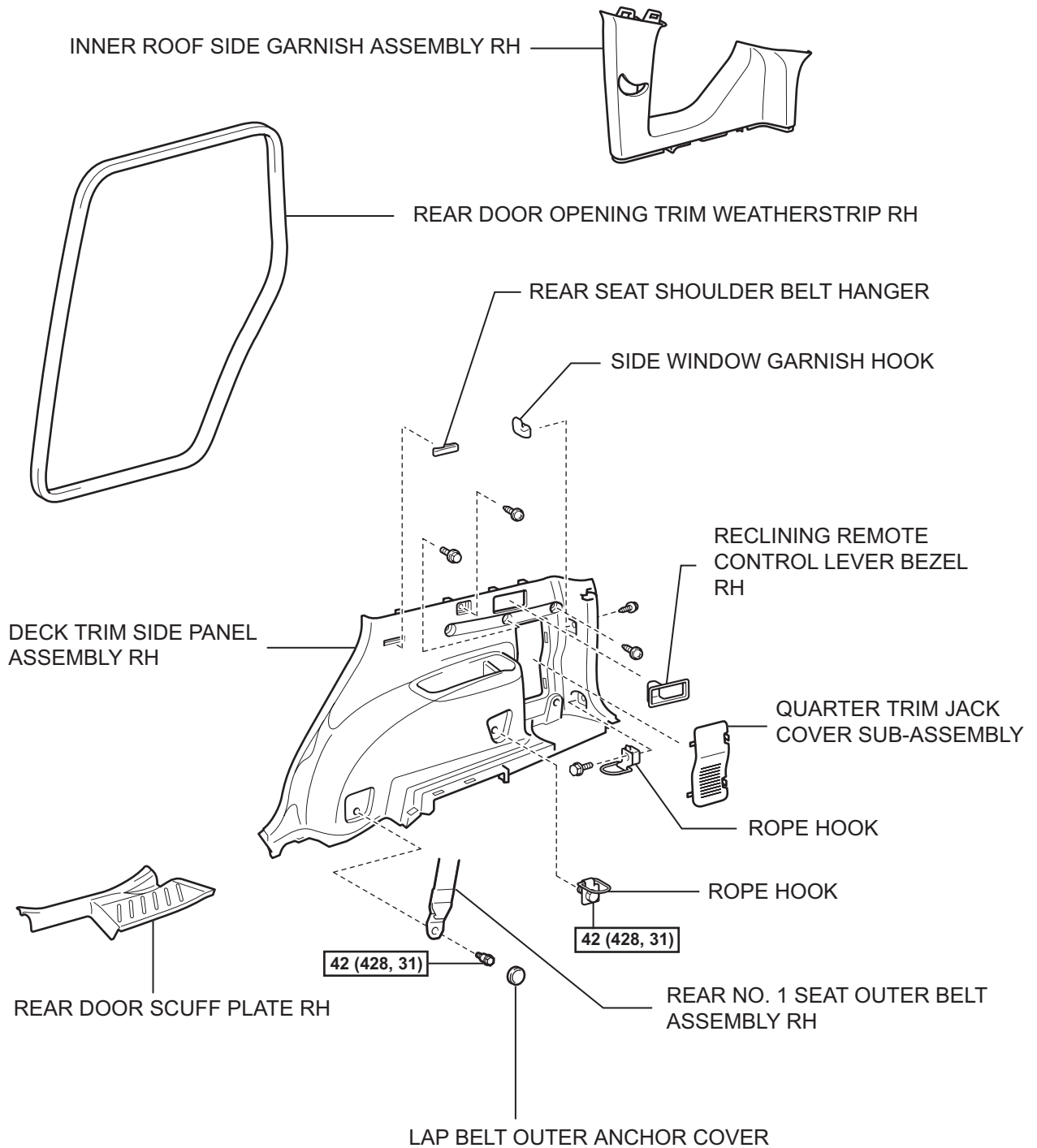


REAR DOOR SCUFF PLATE LH

[N*m (kgf*cm, ft.*lbf)] : Specified torque

ROPE HOOK

w/o Rear No. 2 Seat

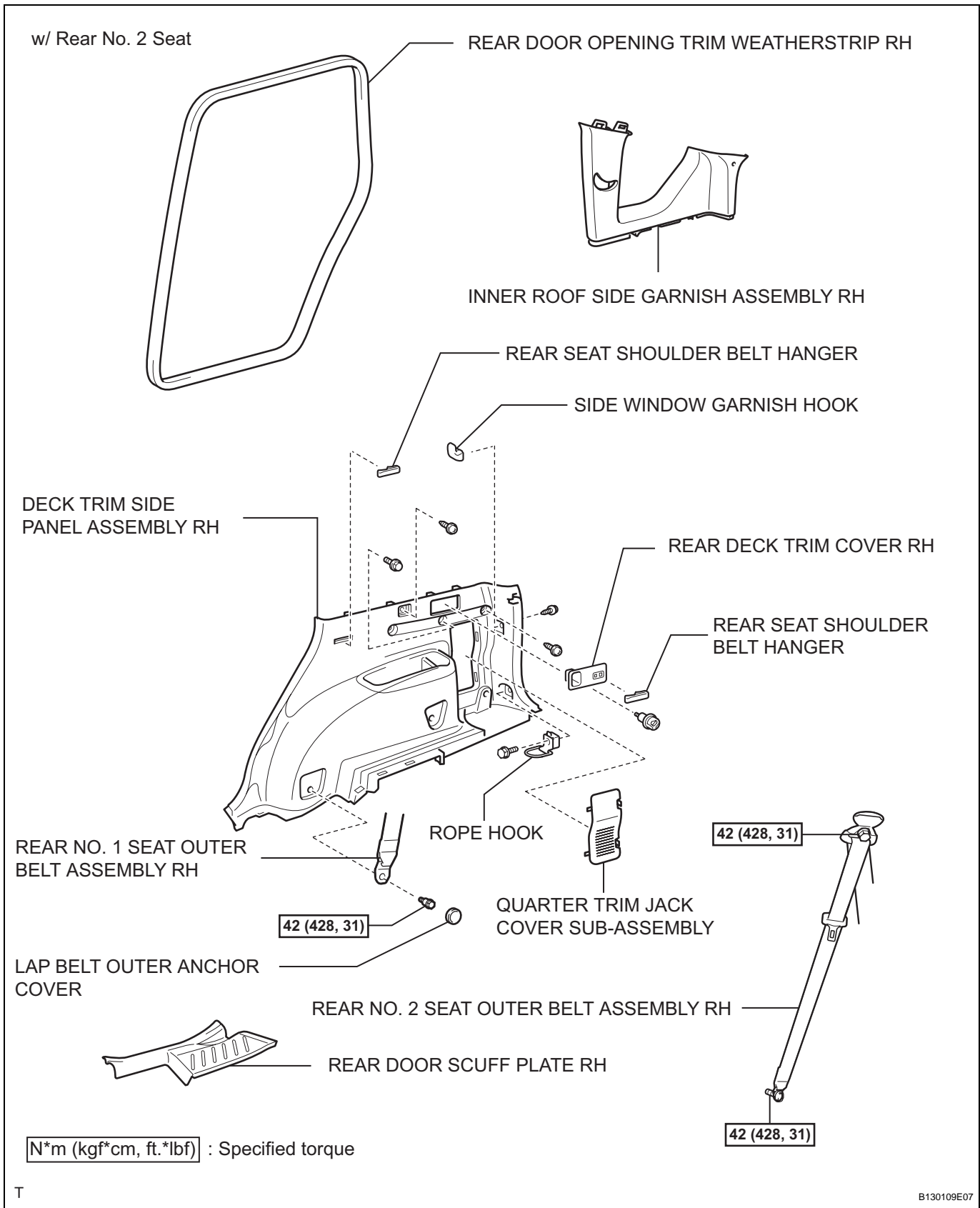


42 (428, 31) : Specified torque

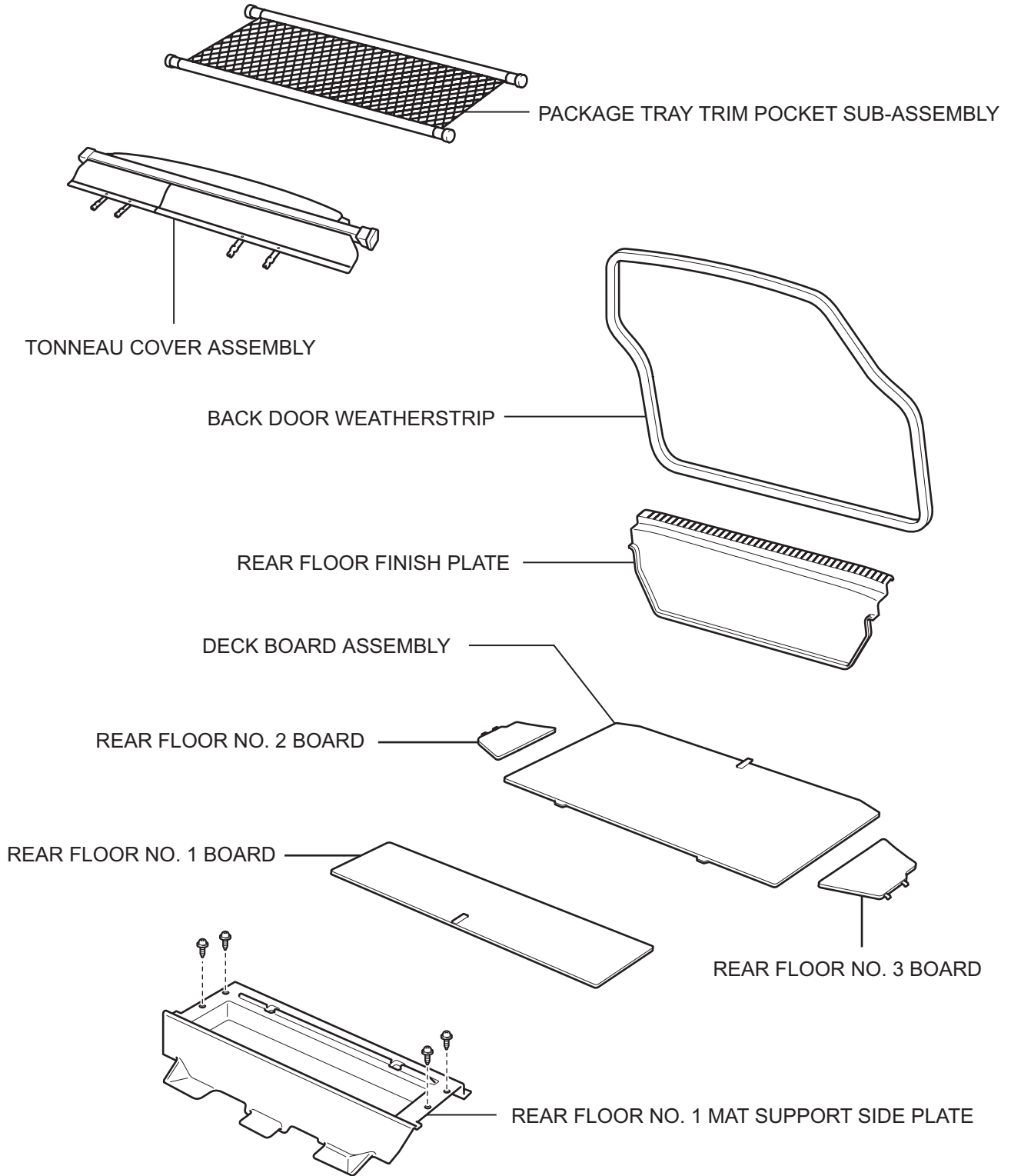
T

RF

RF



w/o Rear No. 2 Seat



T

w/ Rear No. 2 Seat

BACK DOOR WEATHERSTRIP

REAR FLOOR FINISH PLATE

NO. 2 SEAT HINGE COVER RH

NO. 2 SEAT LEG COVER RH

NO. 2 SEAT HINGE COVER LH

NO. 2 SEAT LEG COVER LH

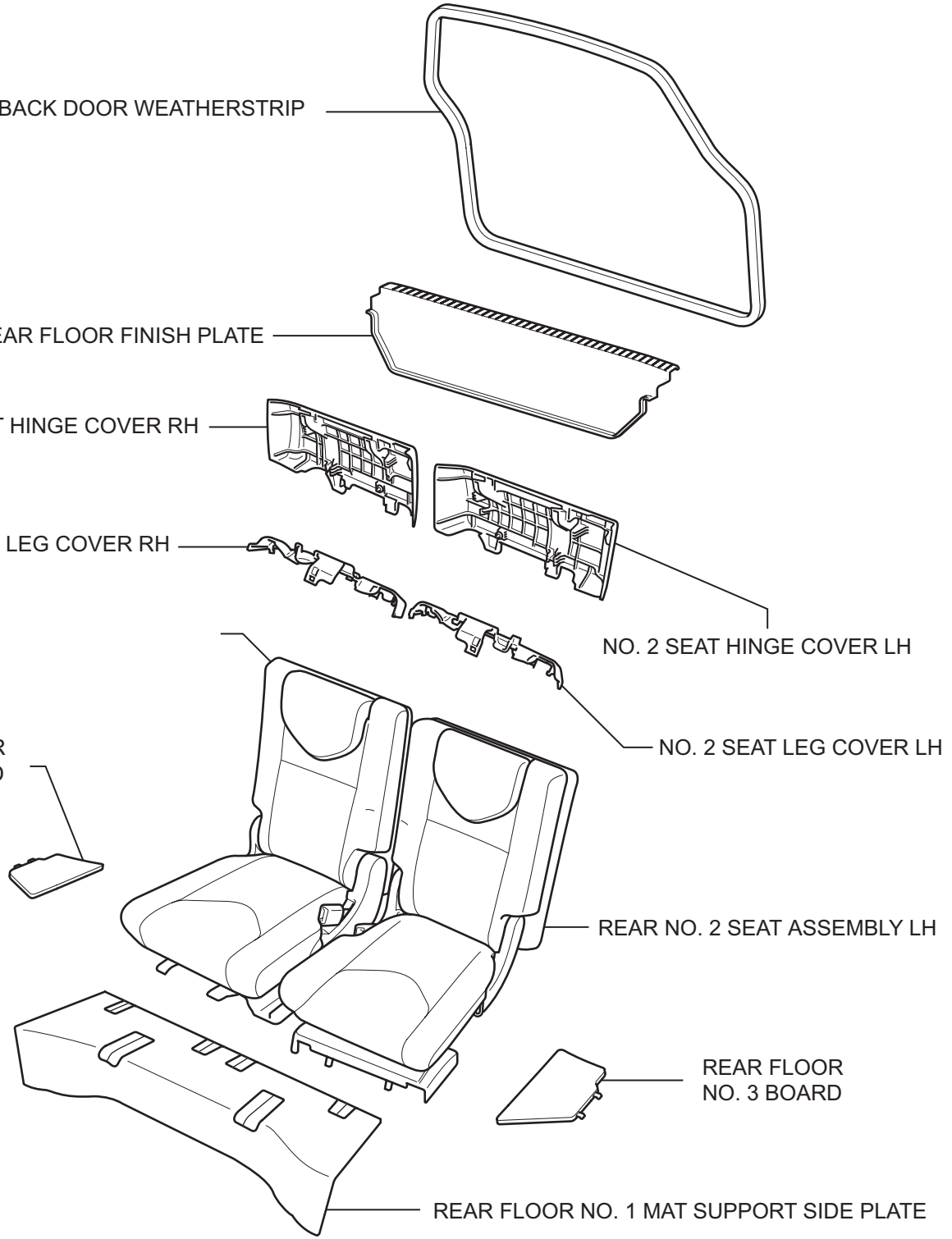
REAR FLOOR NO. 2 BOARD

REAR NO. 2 SEAT ASSEMBLY LH

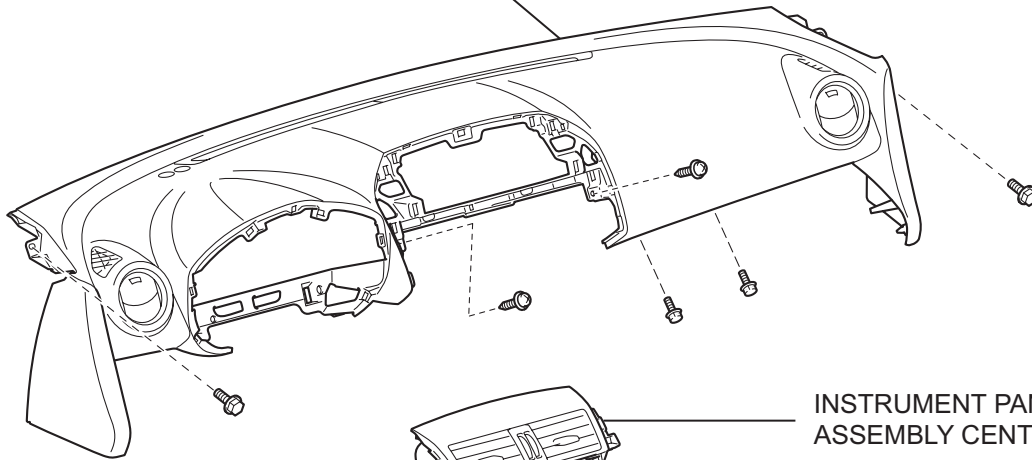
REAR FLOOR NO. 3 BOARD

REAR FLOOR NO. 1 MAT SUPPORT SIDE PLATE

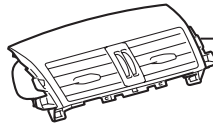
RF



INSTRUMENT PANEL SUB-ASSEMBLY



INSTRUMENT PANEL REGISTER ASSEMBLY CENTER



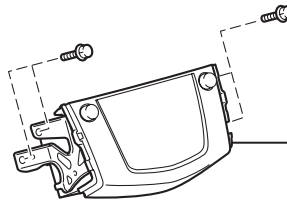
NO. 1 INSTRUMENT CLUSTER FINISH PANEL CENTER



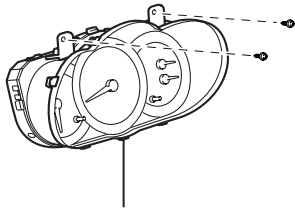
NO. 2 INSTRUMENT CLUSTER FINISH PANEL CENTER



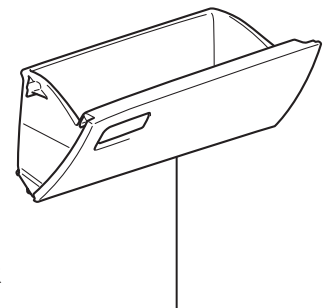
RADIO RECEIVER



COMBINATION METER ASSEMBLY



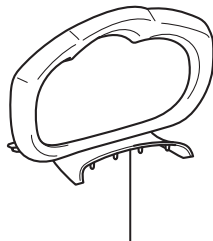
GLOVE COMPARTMENT DOOR ASSEMBLY



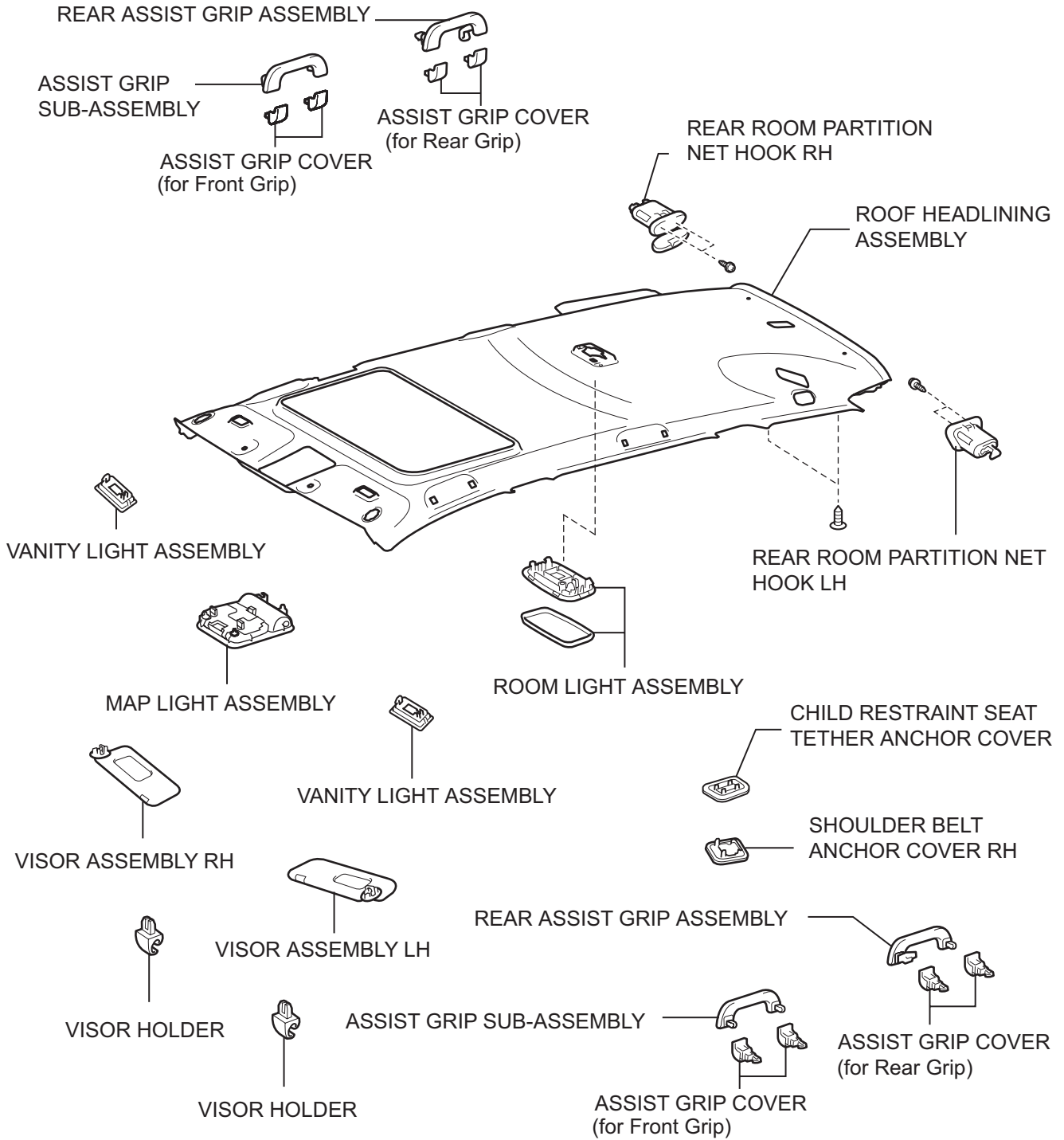
GLOVE COMPARTMENT DOORSTOPPER SUB-ASSEMBLY



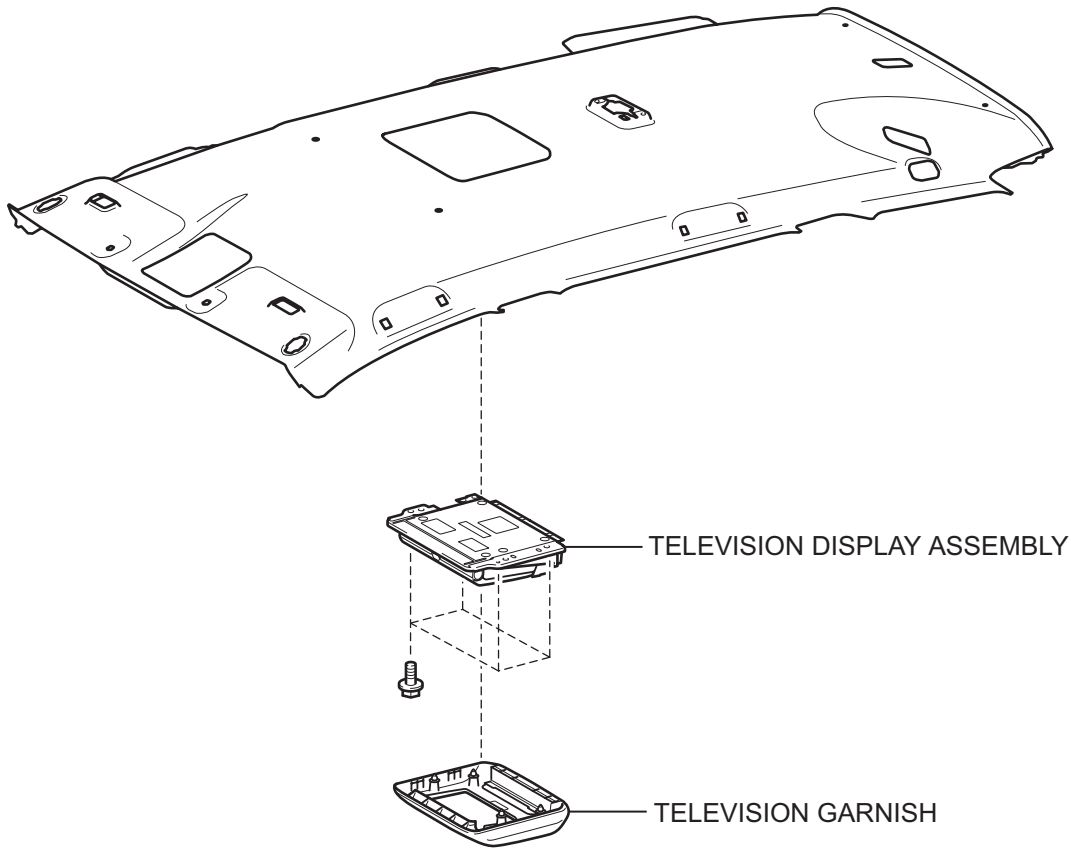
INSTRUMENT CLUSTER FINISH PANEL ASSEMBLY



RF



w/ Television Display



RF