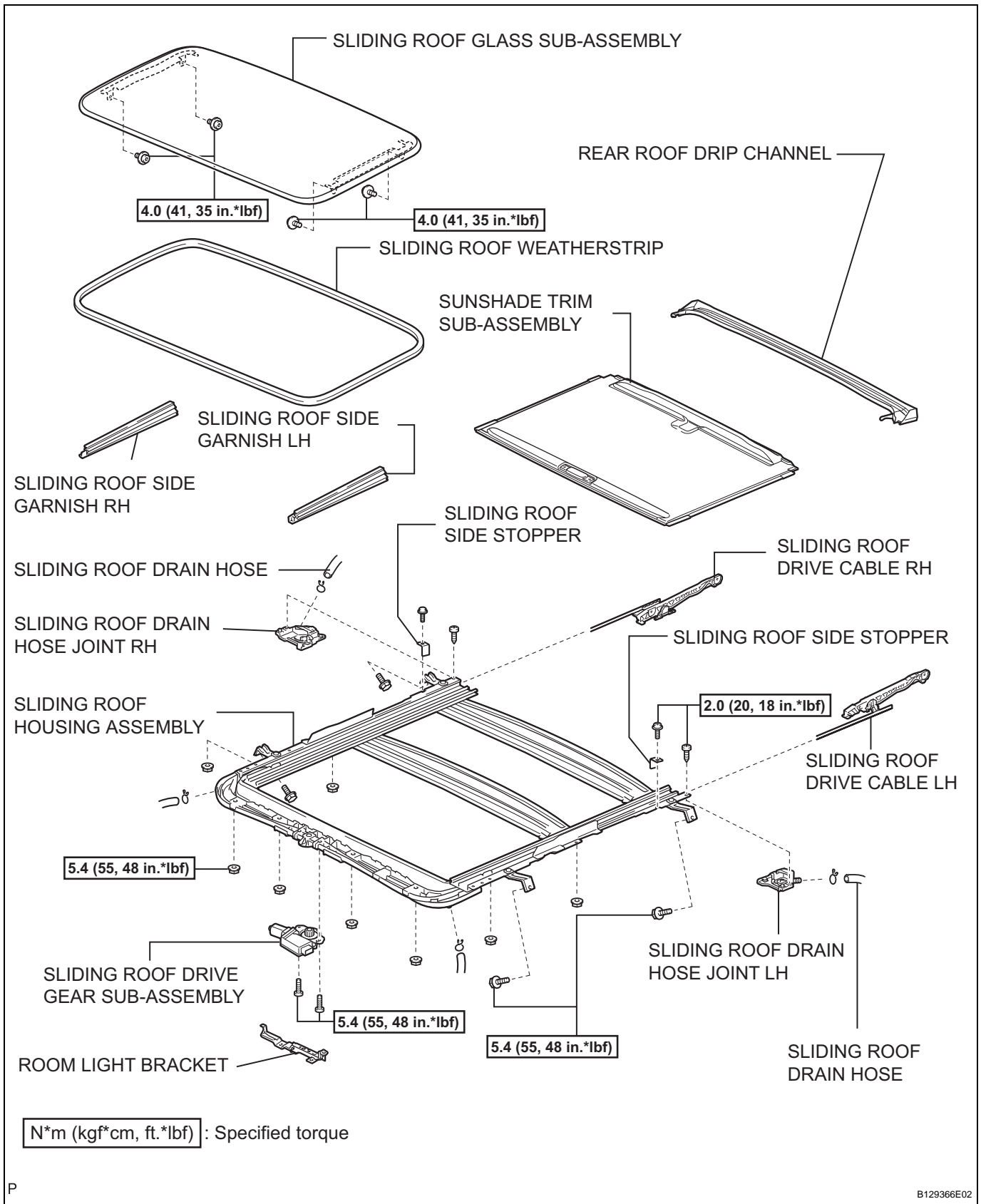


SLIDING ROOF HOUSING

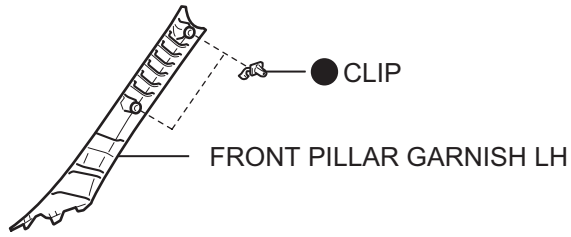
COMPONENTS

(2005/11-2006/01)

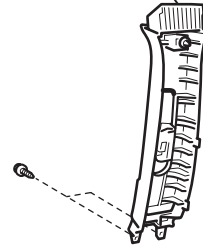


RF

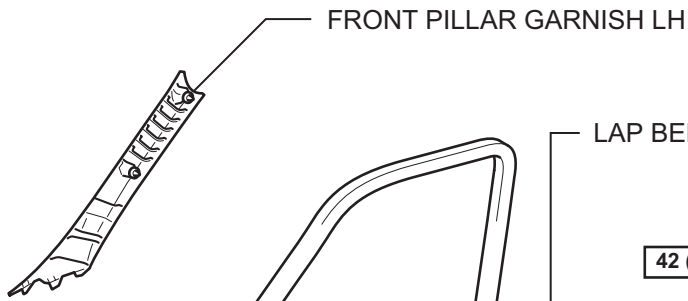
w/ Curtain Shield Airbag



CENTER PILLAR GARNISH LH



RF



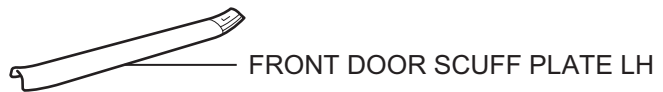
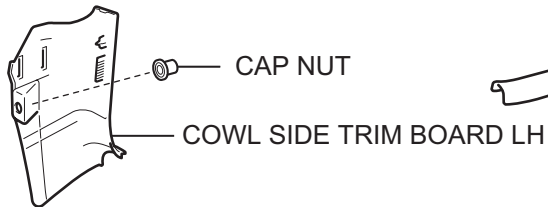
LAP BELT OUTER ANCHOR COVER

42 (428, 31)

FRONT SEAT OUTER BELT ASSEMBLY LH

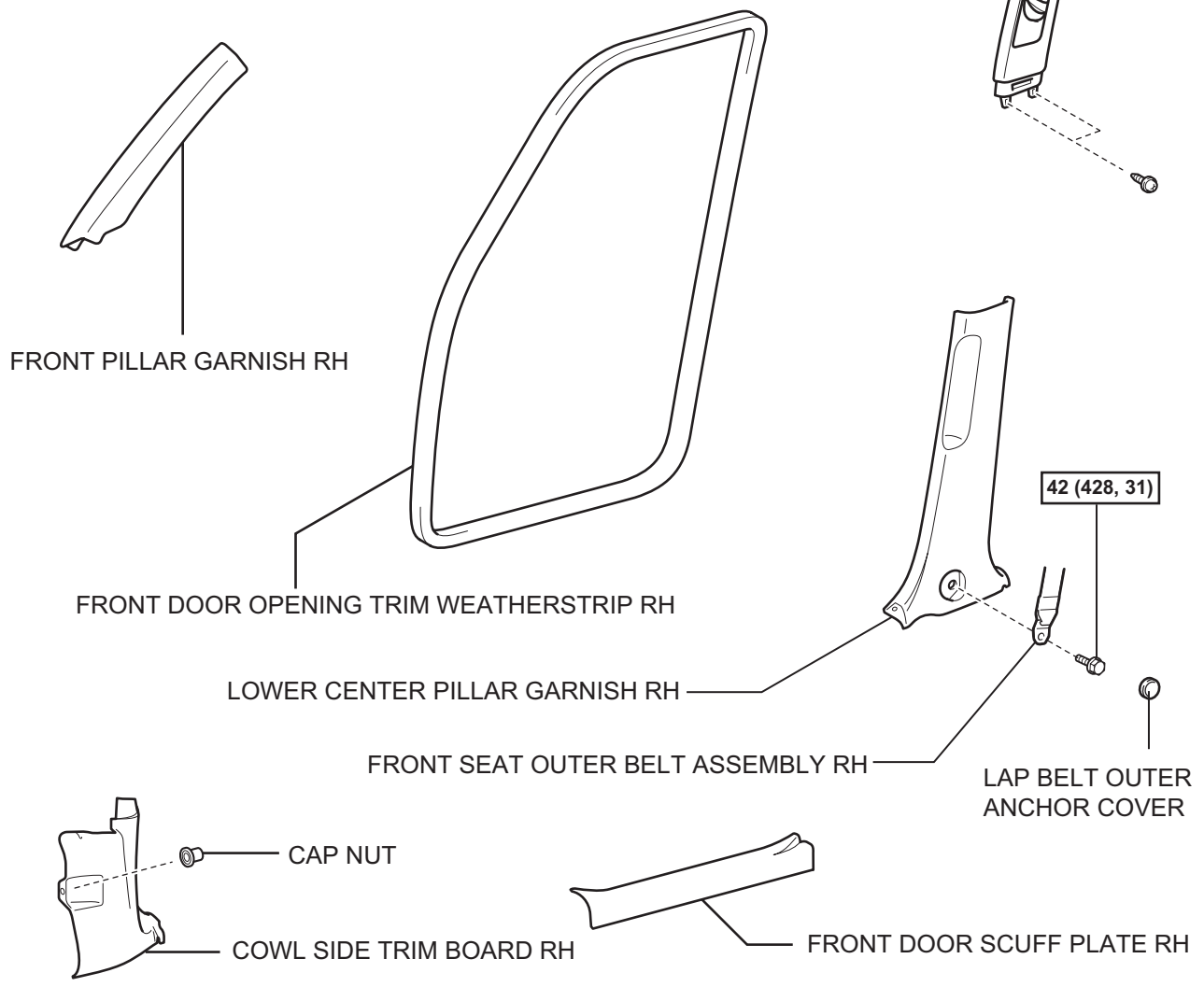
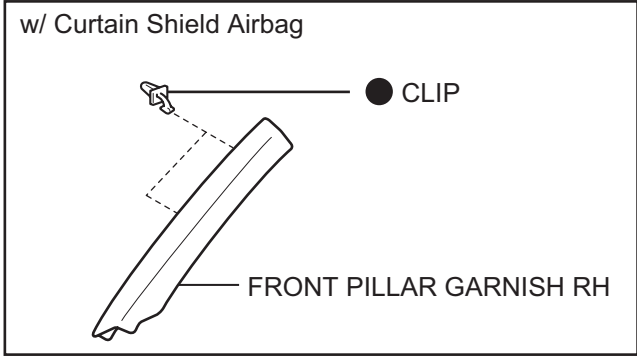
LOWER CENTER PILLAR GARNISH LH

FRONT DOOR OPENING TRIM WEATHERSTRIP LH



$N \cdot m$ (kgf*cm, ft.*lbf) : Specified torque

● Non-reusable part

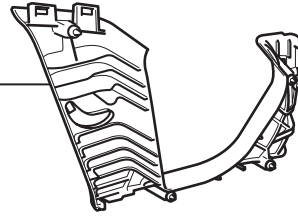


$N \cdot m$ (kgf \cdot cm, ft. \cdot lbf) : Specified torque

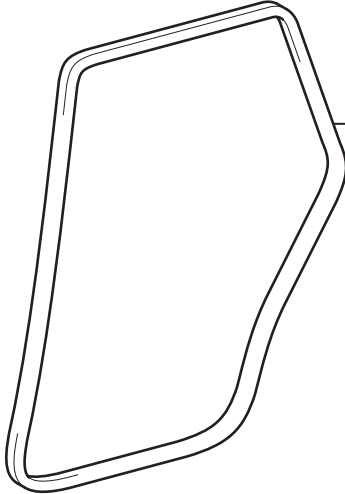
● Non-reusable part

w/o Rear No. 2 Seat

INNER ROOF SIDE GARNISH ASSEMBLY LH



REAR DOOR OPENING TRIM WEATHERSTRIP LH

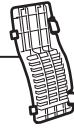


REAR DOOR OPENING TRIM WEATHERSTRIP LH

SIDE WINDOW GARNISH HOOK

RF

DECK TRIM SIDE SERVICE HOLE COVER



REAR SEAT SHOULDER BELT HANGER



ROPE HOOK



LAP BELT OUTER ANCHOR COVER



42 (428, 31)

42 (428, 31)

REAR NO. 1 SEAT OUTER BELT ASSEMBLY LH



REAR DOOR SCUFF PLATE LH

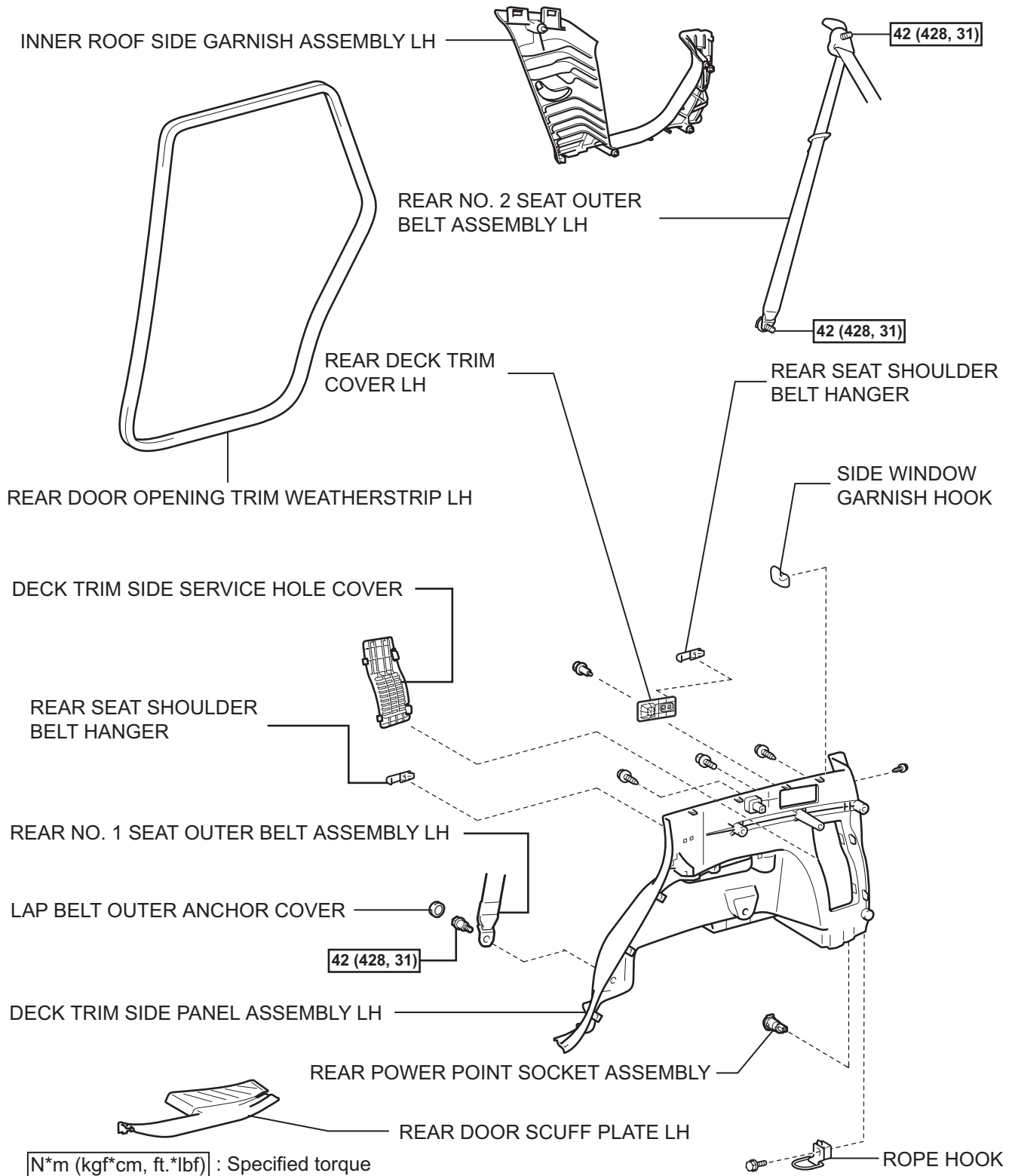
DECK TRIM SIDE PANEL ASSEMBLY LH

REAR POWER POINT SOCKET ASSEMBLY

ROPE HOOK

N*m (kgf*cm, ft.*lbf) : Specified torque

w/ Rear No. 2 Seat



N*m (kgf*cm, ft.*lbf) : Specified torque

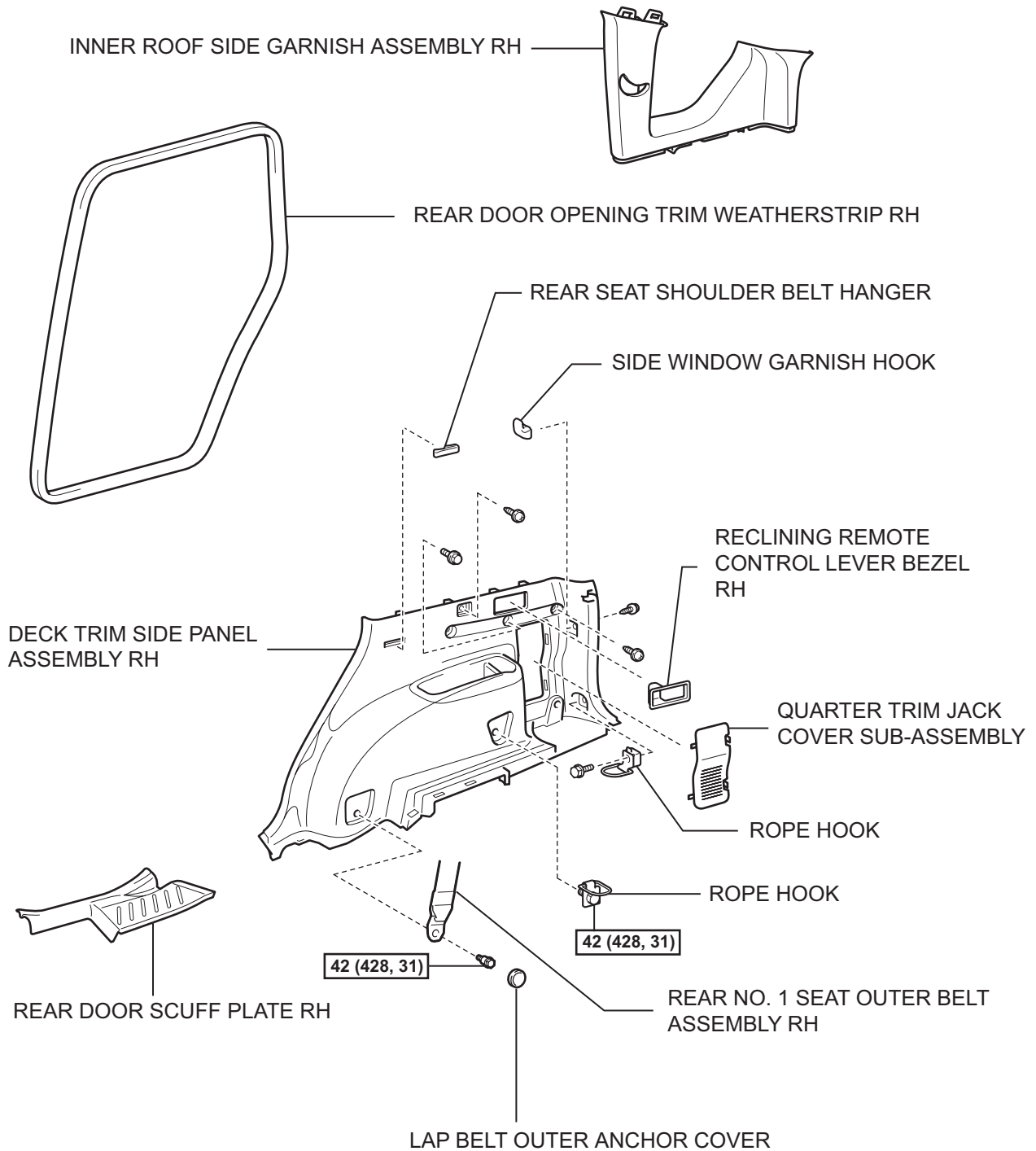
T

B130110E05

RF

w/o Rear No. 2 Seat

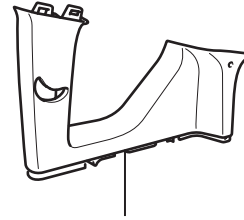
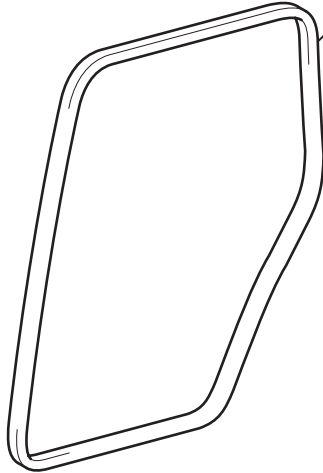
RF



42 (428, 31) : Specified torque

w/ Rear No. 2 Seat

REAR DOOR OPENING TRIM WEATHERSTRIP RH



INNER ROOF SIDE GARNISH ASSEMBLY RH

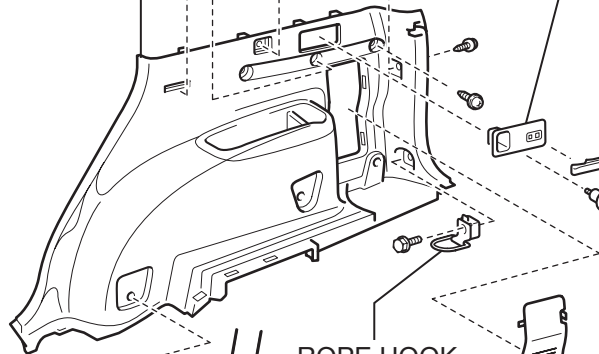
REAR SEAT SHOULDER BELT HANGER

SIDE WINDOW GARNISH HOOK

DECK TRIM SIDE PANEL ASSEMBLY RH

REAR DECK TRIM COVER RH

REAR SEAT SHOULDER BELT HANGER



ROPE HOOK

42 (428, 31)

REAR NO. 1 SEAT OUTER BELT ASSEMBLY RH

QUARTER TRIM JACK COVER SUB-ASSEMBLY

42 (428, 31)

LAP BELT OUTER ANCHOR COVER

REAR NO. 2 SEAT OUTER BELT ASSEMBLY RH

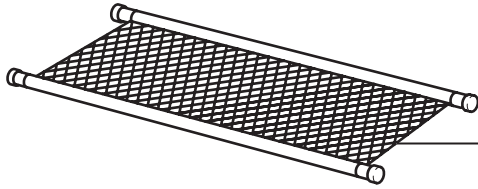
42 (428, 31)



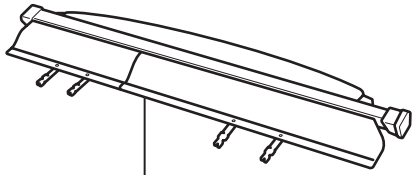
REAR DOOR SCUFF PLATE RH

N*m (kgf*cm, ft.*lbf) : Specified torque

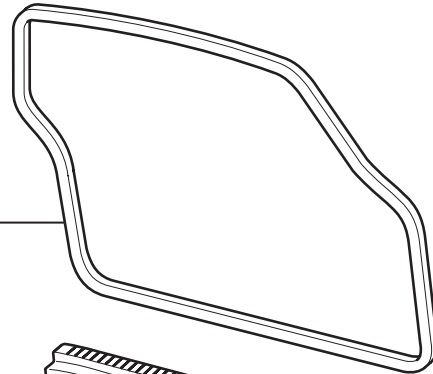
w/o Rear No. 2 Seat



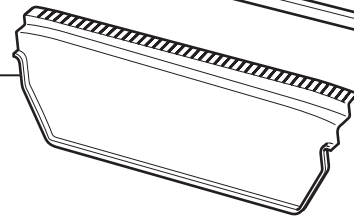
PACKAGE TRAY TRIM POCKET SUB-ASSEMBLY



TONNEAU COVER ASSEMBLY

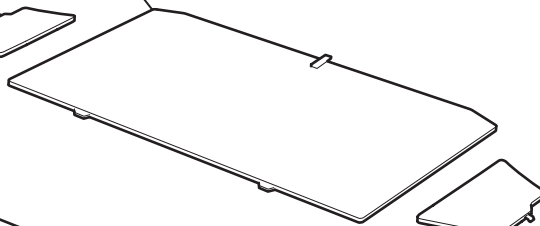


BACK DOOR WEATHERSTRIP

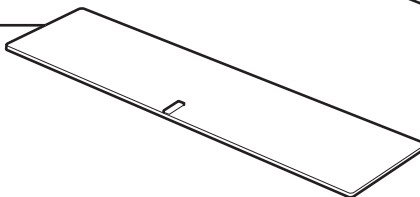


REAR FLOOR FINISH PLATE

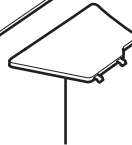
DECK BOARD ASSEMBLY



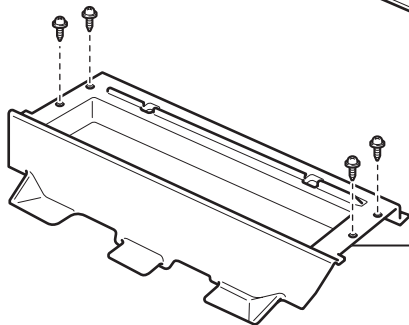
REAR FLOOR NO. 2 BOARD



REAR FLOOR NO. 1 BOARD



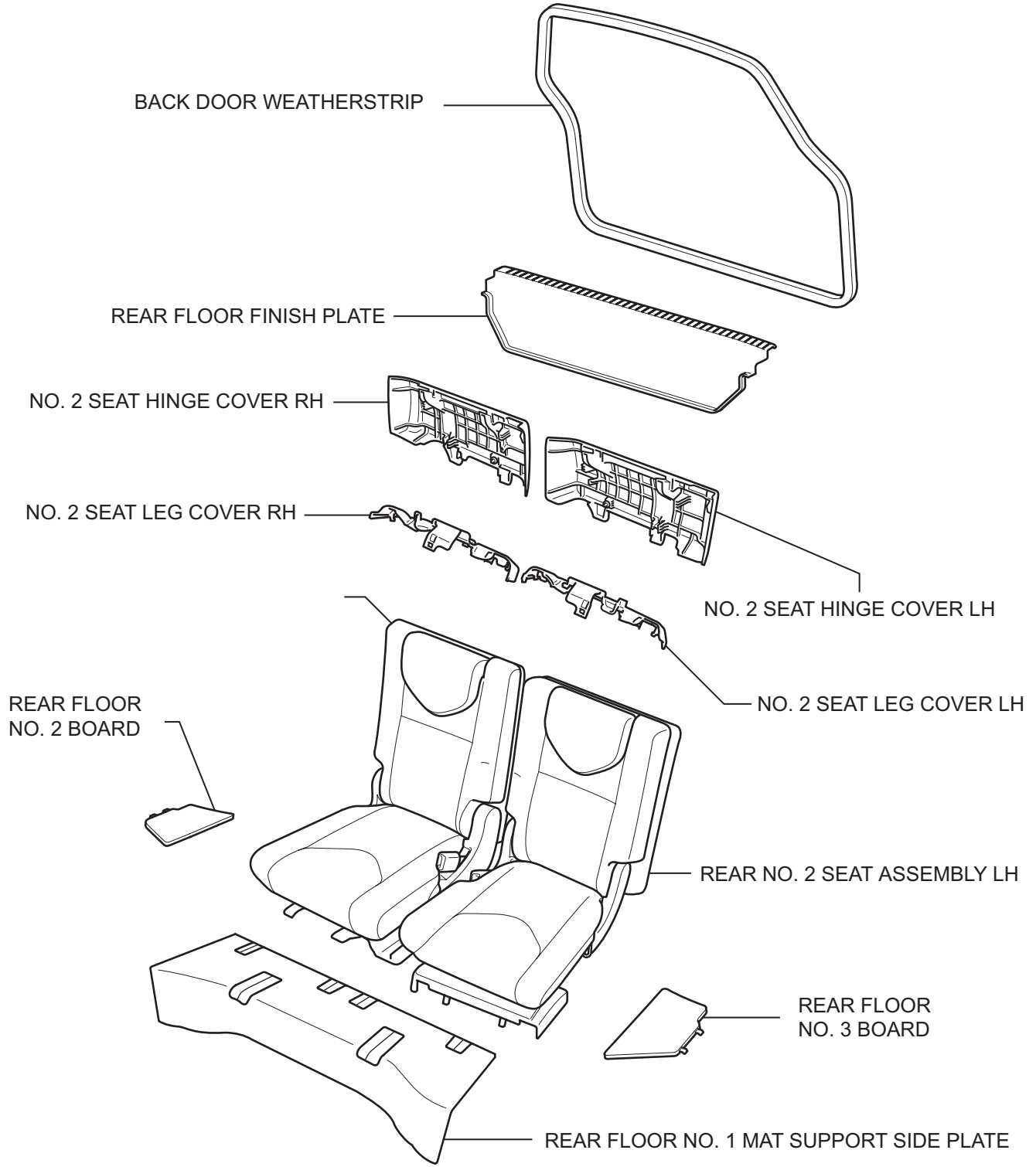
REAR FLOOR NO. 3 BOARD



REAR FLOOR NO. 1 MAT SUPPORT SIDE PLATE

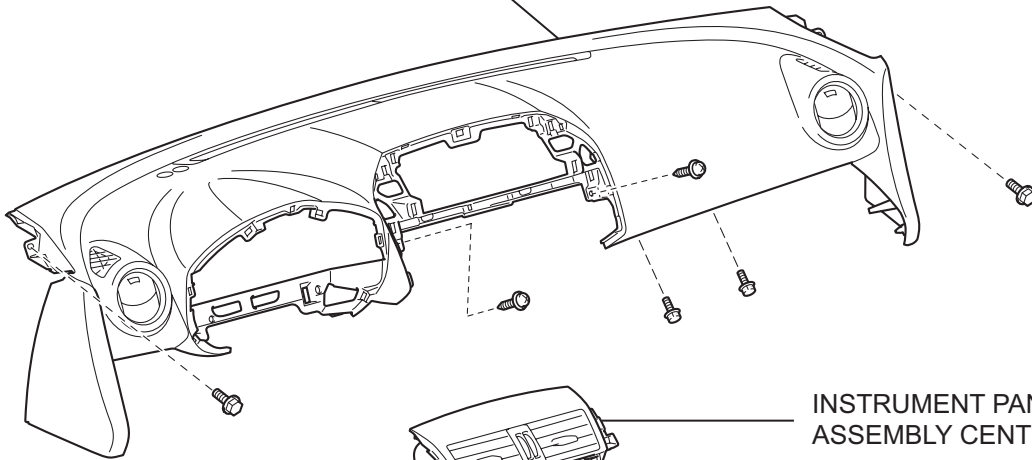
RF

w/ Rear No. 2 Seat

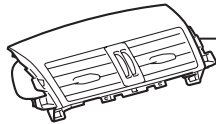


RF

INSTRUMENT PANEL SUB-ASSEMBLY



INSTRUMENT PANEL REGISTER ASSEMBLY CENTER



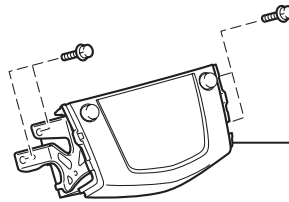
NO. 1 INSTRUMENT CLUSTER FINISH PANEL CENTER



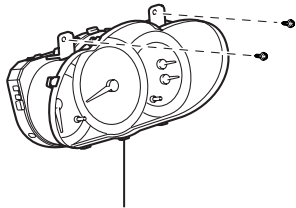
NO. 2 INSTRUMENT CLUSTER FINISH PANEL CENTER



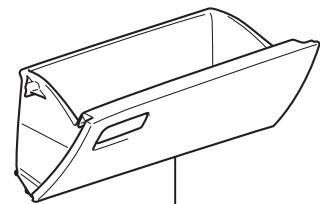
RADIO RECEIVER



COMBINATION METER ASSEMBLY



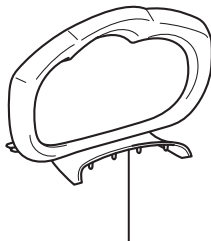
GLOVE COMPARTMENT DOOR ASSEMBLY



GLOVE COMPARTMENT DOORSTOPPER SUB-ASSEMBLY



INSTRUMENT CLUSTER FINISH PANEL ASSEMBLY



RF

RF

