

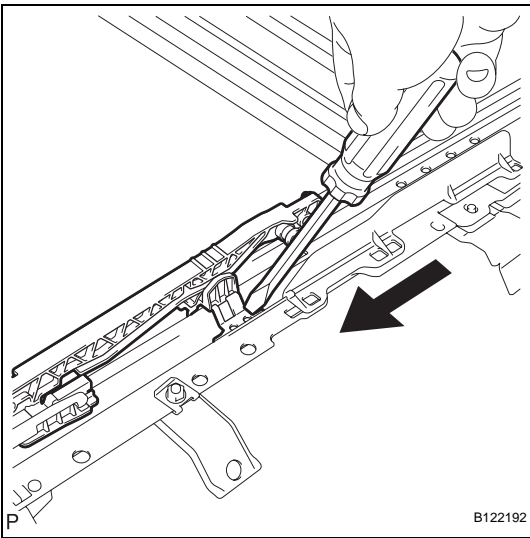
REASSEMBLY

1. INSTALL SLIDING ROOF DRIVE CABLE

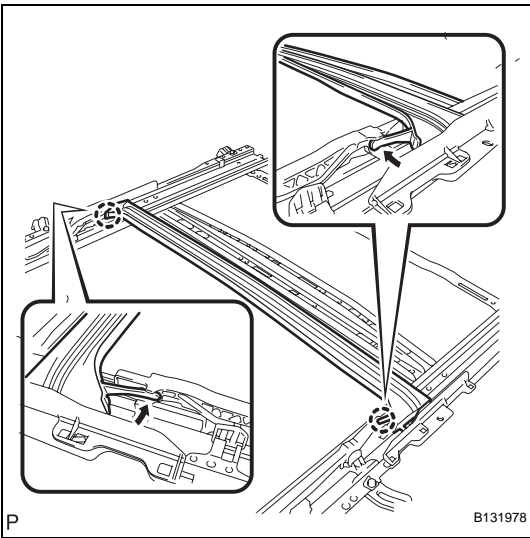
- (a) Using a screwdriver, slide the sliding roof drive cable sub-assemblies in the direction indicated by the arrow in the illustration to install them.

HINT:

Tape the screwdriver tip before use.

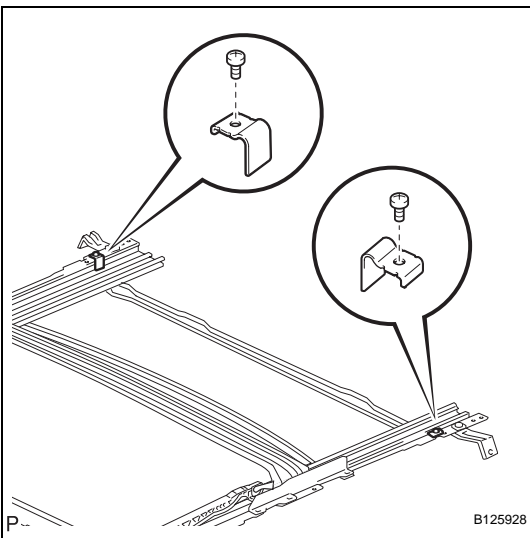


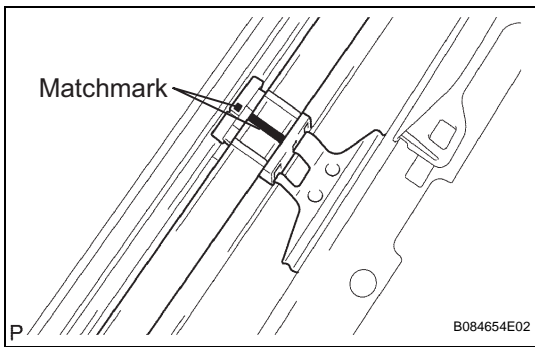
- (b) Engage the 2 claws and install the sliding roof drip channel.



- (c) Install the 2 sliding roof side stoppers with the 2 screws.

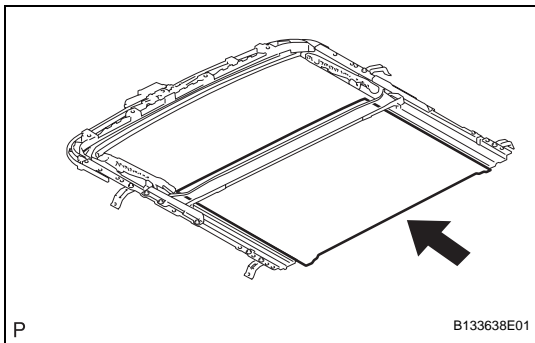
Torque: 2.0 N*m (20 kgf*cm, 18 in.*lbf)





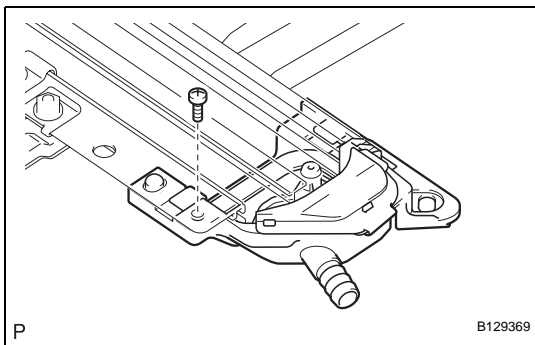
2. ADJUST FULLY CLOSED POSITION

- (a) Using a screwdriver, slide the sliding roof drive cable LH and RH to align the matchmarks.
 HINT:
 Tape the screwdriver tip before use.



3. INSTALL SUNSHADE TRIM SUB-ASSEMBLY

- (a) Insert the sunshade trim into the sliding roof housing.

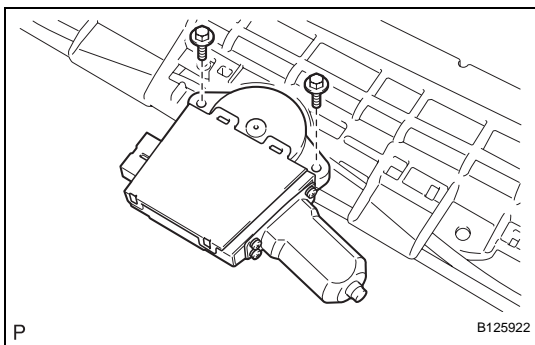


4. INSTALL SLIDING ROOF DRAIN HOSE JOINT LH

- (a) Install the joint with the screw.
Torque: 2.0 N*m (20 kgf*cm, 18 in.*lbf)

5. INSTALL SLIDING ROOF DRAIN HOSE JOINT RH

- HINT:
 Use the same procedures described for the LH side.



6. INSTALL SLIDING ROOF DRIVE GEAR SUB-ASSEMBLY

- (a) Install the drive gear with the 2 bolts.
Torque: 5.4 N*m (55 kgf*cm, 48 in.*lbf)

- (b) Attach the claw and install the sliding roof drive gear bracket.

