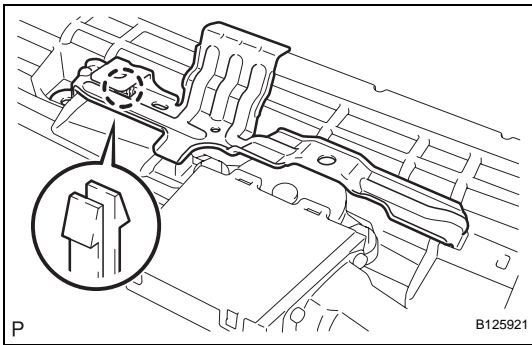
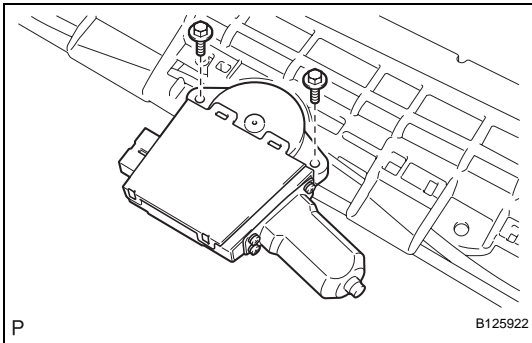


**DISASSEMBLY****1. REMOVE SLIDING ROOF DRIVE GEAR SUB-ASSEMBLY**

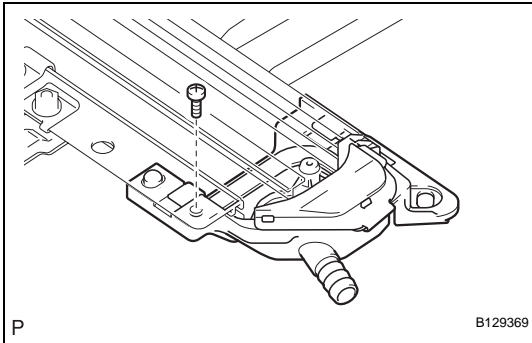
(a) Remove the claw and room light bracket.



(b) Remove the 2 bolts and drive gear.

**2. REMOVE SLIDING ROOF DRAIN HOSE JOINT LH**

(a) Remove the screw and joint.

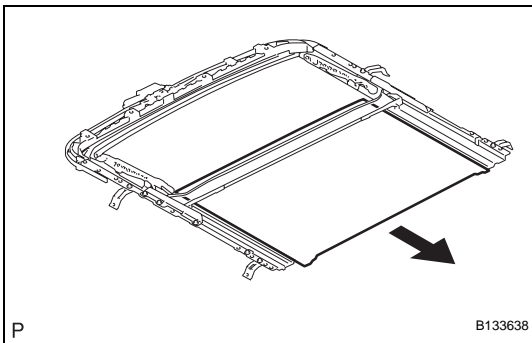
**3. REMOVE SLIDING ROOF DRAIN HOSE JOINT RH**

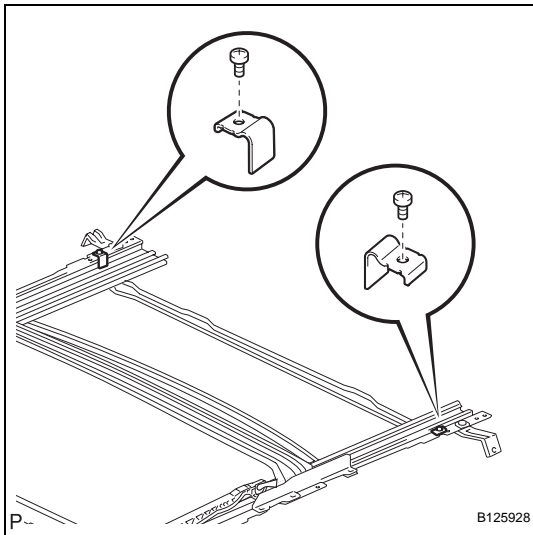
**HINT:**

Use the same procedures described for the LH side.

**4. REMOVE SUNSHADE TRIM SUB-ASSEMBLY**

(a) Slide and remove the sunshade trim sub-assembly.



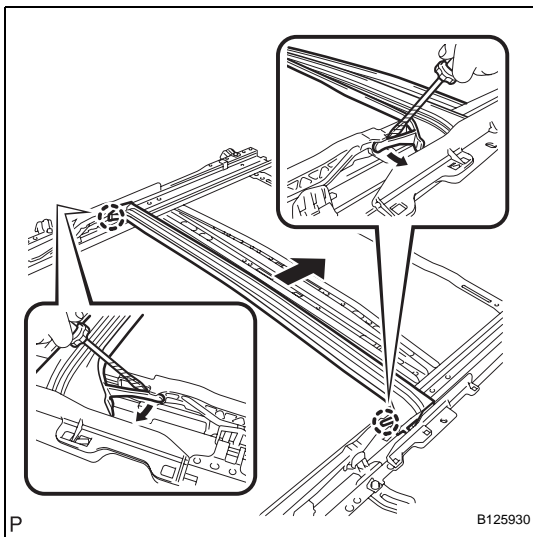


## 5. REMOVE SLIDING ROOF DRIVE CABLE

### NOTICE:

**Do not disassemble the sliding roof drive cable sub-assembly except when replacing it.**

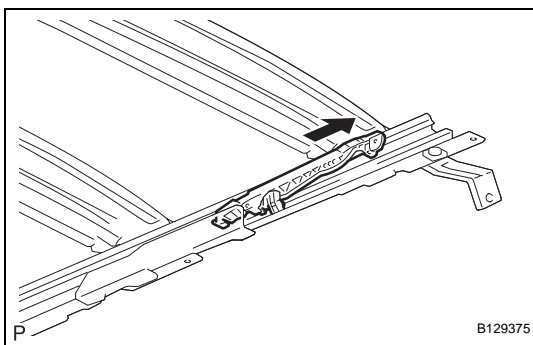
- (a) Remove the 2 screws and 2 sliding roof side stoppers.



- (b) Using a screwdriver, detach the 2 claws. Then slide the drip channel rearward to remove it.

### HINT:

Tape the screwdriver tip before use.



- (c) Using a screwdriver, slide the drive cables backward and remove them.

### HINT:

- Tape the screwdriver tip before use.