

REMOVAL

(2005/11-2006/01)

1. **DISCONNECT CABLE FROM NEGATIVE BATTERY TERMINAL**

CAUTION:

Wait at least 90 seconds after disconnecting the cable from the negative (-) battery terminal to prevent airbag and seat belt pretensioner activation.

2. **REMOVE ROOF HEADLINING ASSEMBLY**

(a) Remove the roof headlining (see page [IR-26](#)).

3. **REMOVE SLIDING ROOF SIDE GARNISH LH**

(a) Using a screwdriver, detach the claws and remove the garnish.

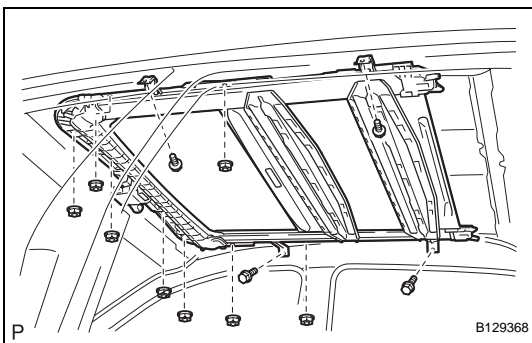
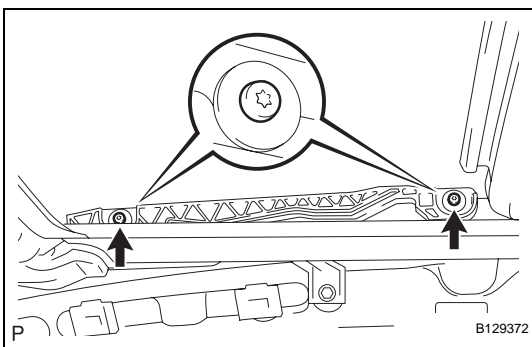
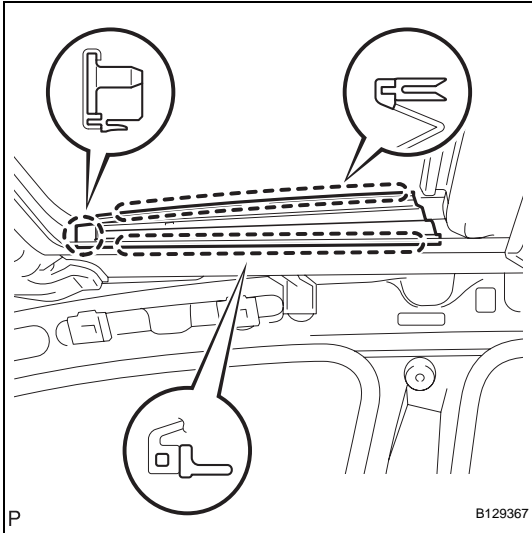
HINT:

Tape the screwdriver tip before use.

4. **REMOVE SLIDING ROOF SIDE GARNISH RH**

HINT:

Use the same procedures described for the LH side.



5. **REMOVE SLIDING ROOF GLASS SUB-ASSEMBLY**

(a) Using a T25 "torx" driver, remove the 4 screws and glass.

(b) Pull the glass upward to remove it.

6. **REMOVE SLIDING ROOF WEATHERSTRIP**

7. **DISCONNECT SLIDING ROOF DRAIN HOSE**

(a) Disconnect the 4 drain hoses.

8. **REMOVE SLIDING ROOF HOUSING ASSEMBLY**

(a) Remove the 4 bolts, 8 nuts and housing.

NOTICE:

Be careful not to damage the curtain shield airbag when removing the housing.

REMOVAL

(2006/01-)

- 1. DISCONNECT CABLE FROM NEGATIVE BATTERY TERMINAL**

CAUTION:

Wait at least 90 seconds after disconnecting the cable from the negative (-) battery terminal to prevent airbag and seat belt pretensioner activation.

- 2. REMOVE ROOF HEADLINING ASSEMBLY**

(a) Remove the roof headlining (see page IR-37).

- 3. REMOVE SLIDING ROOF SIDE GARNISH LH**

(a) Using a screwdriver, detach the claws and remove the garnish.

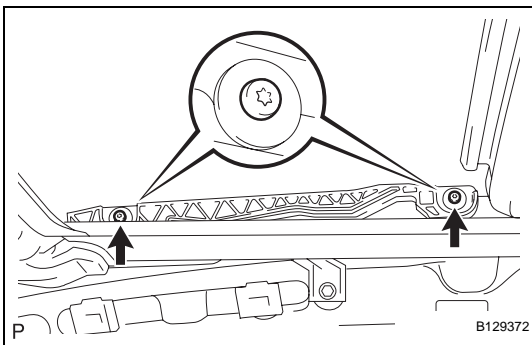
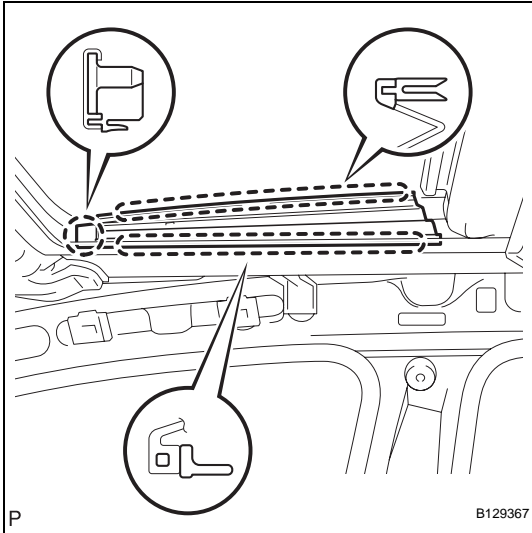
HINT:

Tape the screwdriver tip before use.

- 4. REMOVE SLIDING ROOF SIDE GARNISH RH**

HINT:

Use the same procedures described for the LH side.



- 5. REMOVE SLIDING ROOF GLASS SUB-ASSEMBLY**

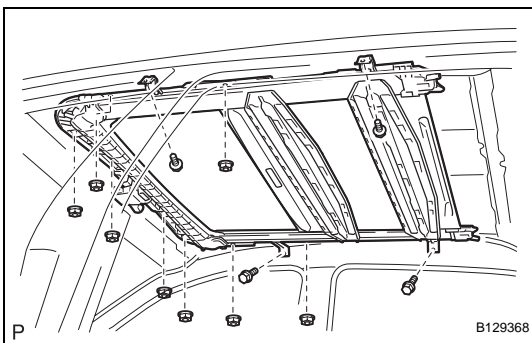
(a) Using a T25 "torx" driver, remove the 4 screws and glass.

(b) Pull the glass upward to remove it.

- 6. REMOVE SLIDING ROOF WEATHERSTRIP**

- 7. DISCONNECT SLIDING ROOF DRAIN HOSE**

(a) Disconnect the 4 drain hoses.



- 8. REMOVE SLIDING ROOF HOUSING ASSEMBLY**

(a) Remove the 4 bolts, 8 nuts and housing.

NOTICE:

Be careful not to damage the curtain shield airbag when removing the housing.