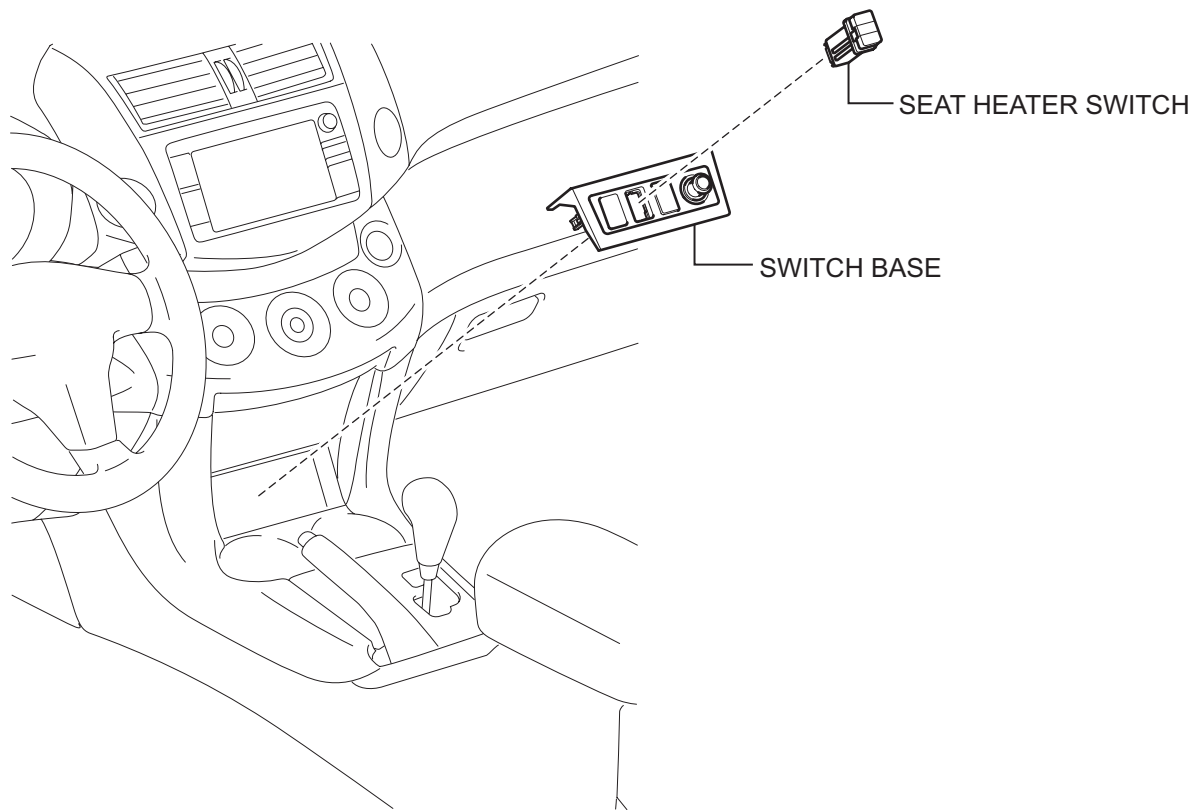


# SEAT HEATER SWITCH

## COMPONENTS



SE

## REMOVAL

1. **DISCONNECT CABLE FROM NEGATIVE BATTERY TERMINAL**

### CAUTION:

Wait at least 90 seconds after disconnecting the cable from the negative (-) battery terminal to prevent airbag and seat belt pretensioner activation.

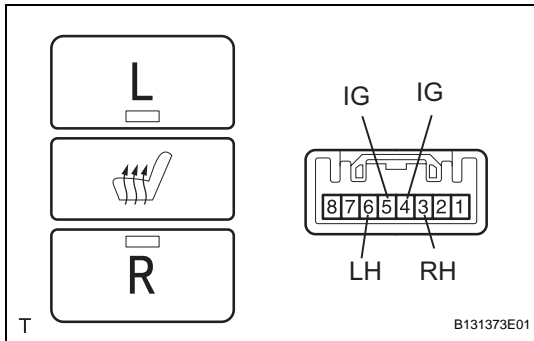
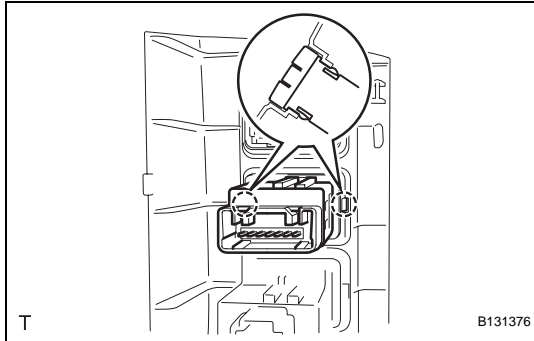
2. **REMOVE SWITCH BASE (See page IP-18)**

3. **REMOVE SEAT HEATER SWITCH**

- (a) Using a screwdriver, detach the 2 claws and remove the switch.

### HINT:

Tape the screwdriver tip before use.



## INSPECTION

1. **INSPECT SEAT HEATER SWITCH**

- (a) Measure the resistance of the seat heater switch when the switch is operated.

### Standard resistance for LH

Tester Connection	Switch Condition	Specified Condition
5 (IG) - 6 (LH)	ON	Below 1 $\Omega$
5 (IG) - 6 (LH)	OFF	10 k $\Omega$ or higher

### for RH

Tester Connection	Switch Condition	Specified Condition
4 (IG) - 3 (RH)	ON	Below 1 $\Omega$
4 (IG) - 3 (RH)	OFF	10 k $\Omega$ or higher

If the result is not as specified, replace the switch.

- (b) Check that the seat heater switch indicator light illuminates when the switch is operated.

### OK

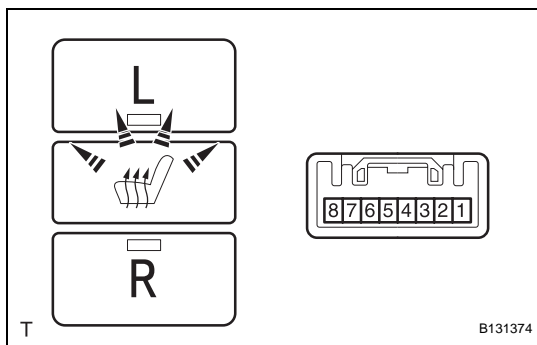
### for LH

Measurement Connection	Switch Condition	Specified Condition
Battery positive (+) → 5 (IG) Battery negative (-) → 2 (E)	ON	Illuminates

### for RH

Measurement Connection	Switch Condition	Specified Condition
Battery positive (+) → 4 (IG) Battery negative (-) → 2 (E)	ON	Illuminates

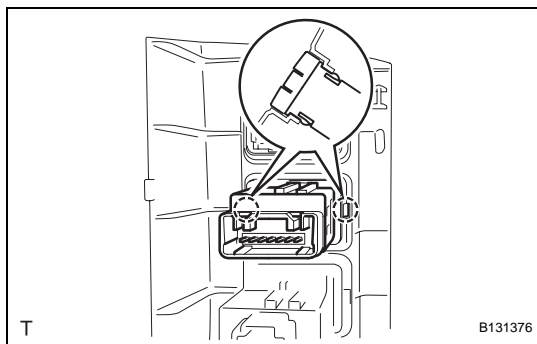
If the result is not as specified, replace the switch.



- (c) Check that the seat heater switch illuminates.  
**OK**

Measurement Connection	Switch Condition	Specified Condition
Battery positive (+) → 7 Battery negative (-) → 8	Always	Illuminates

If the result is not as specified, replace the switch.



## INSTALLATION

1. **INSTALL SEAT HEATER SWITCH**  
(a) Attach the 2 claws to install the switch.
2. **INSTALL SWITCH BASE (See page IP-27)**
3. **CONNECT CABLE TO NEGATIVE BATTERY TERMINAL**