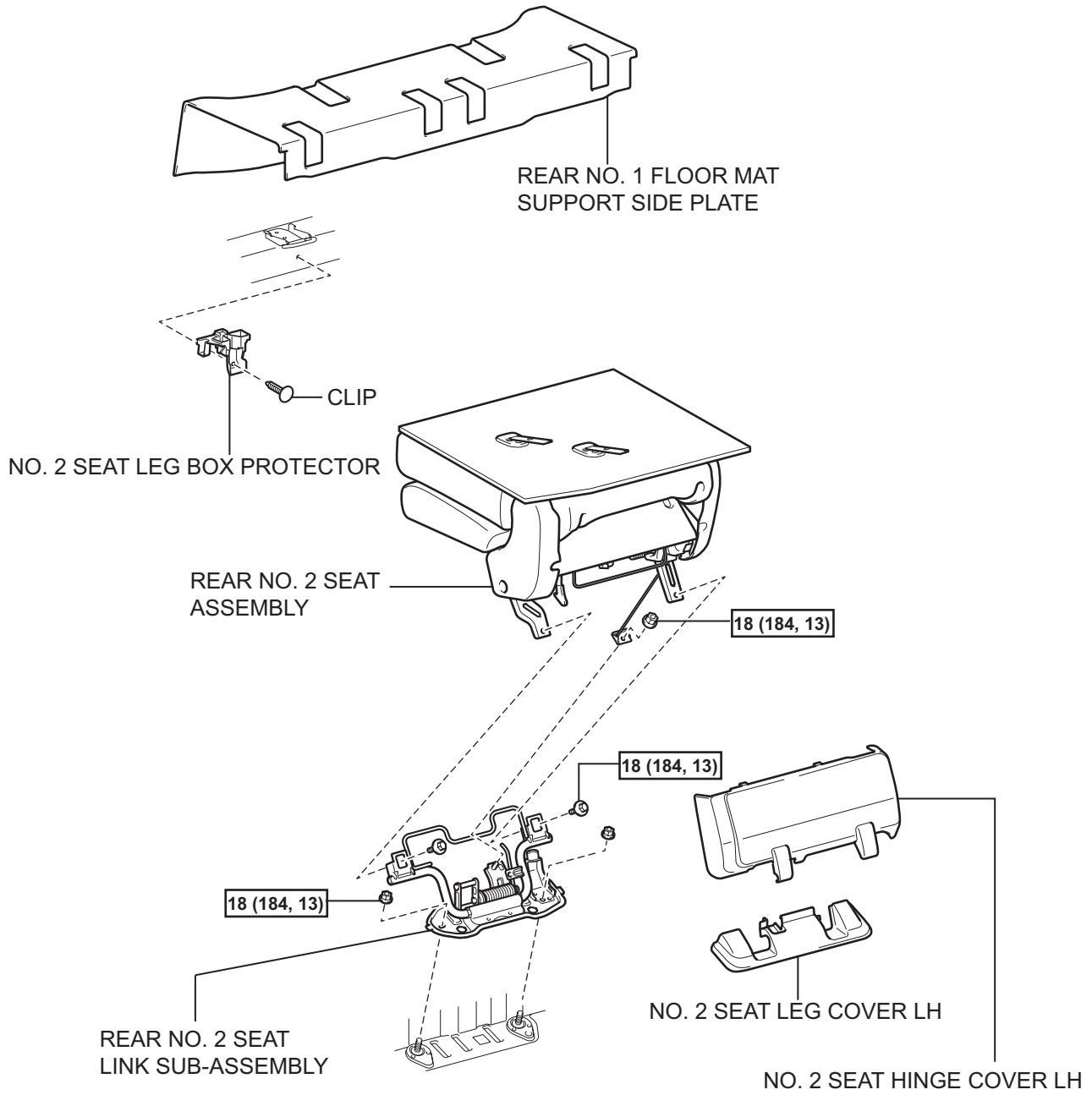


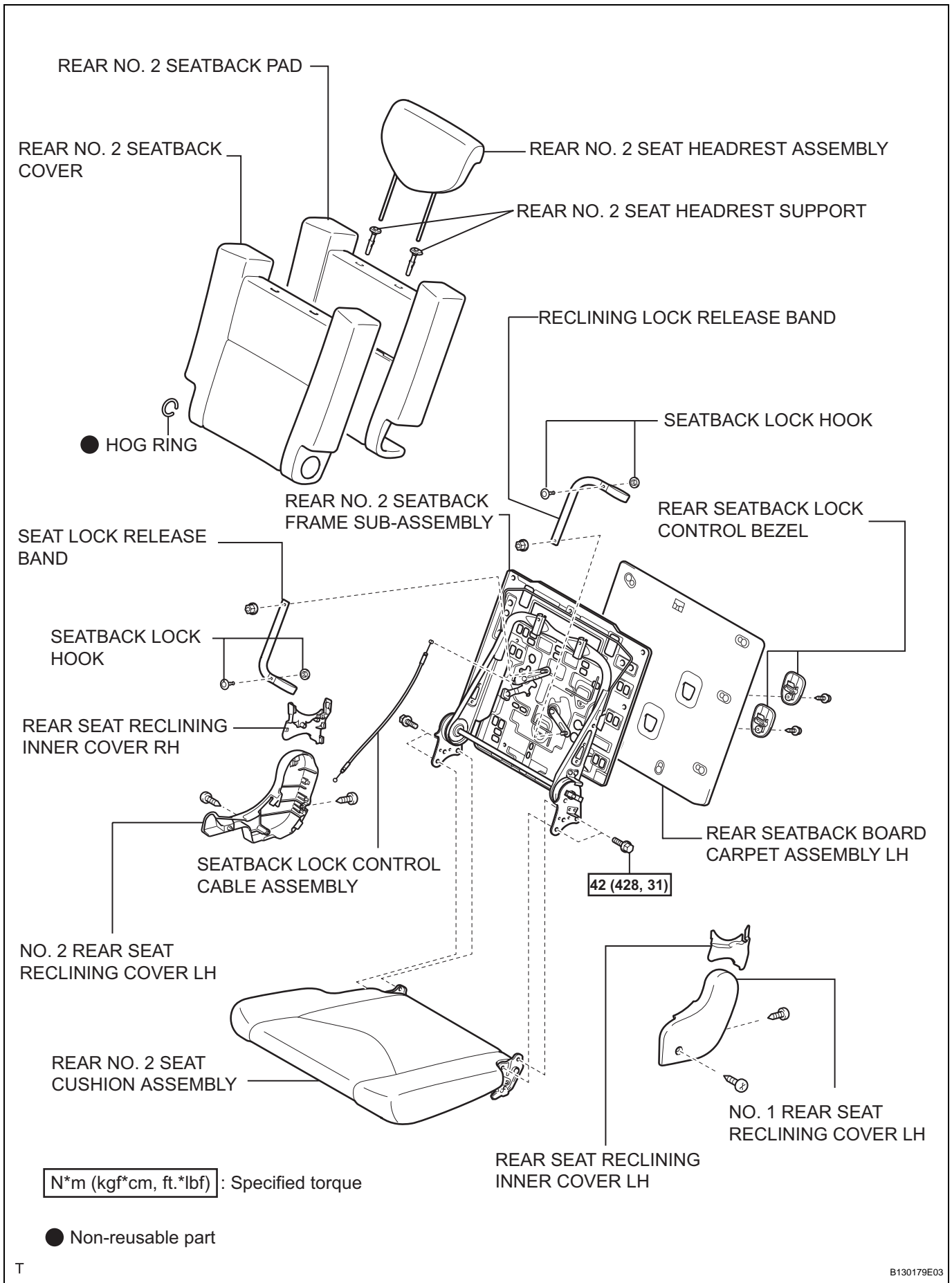
# REAR NO. 2 SEAT ASSEMBLY

## COMPONENTS

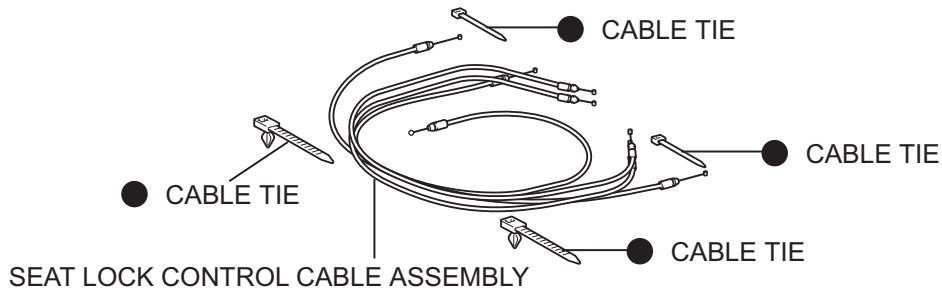
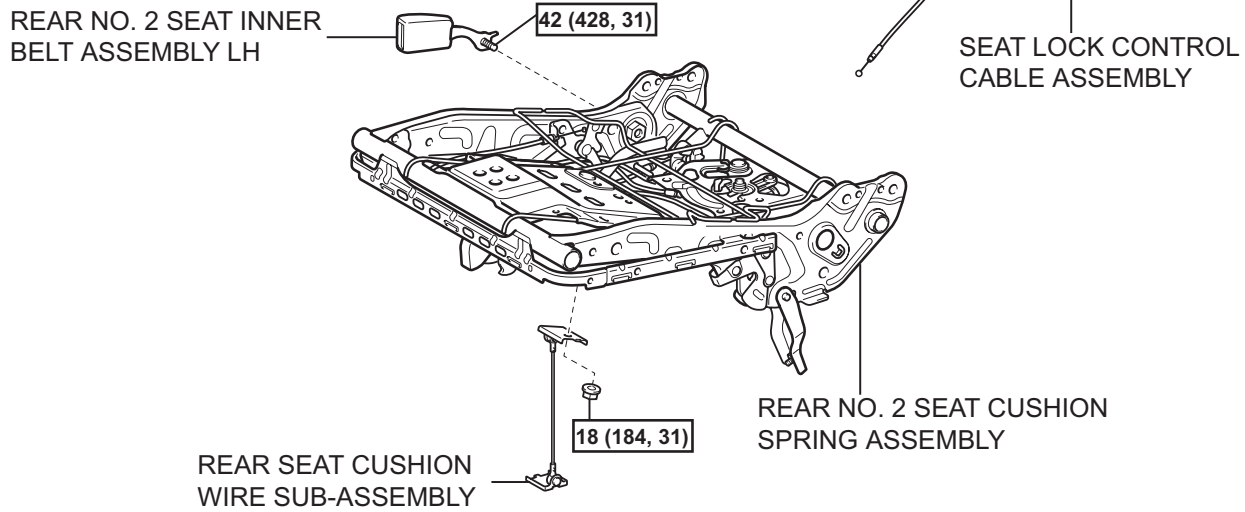
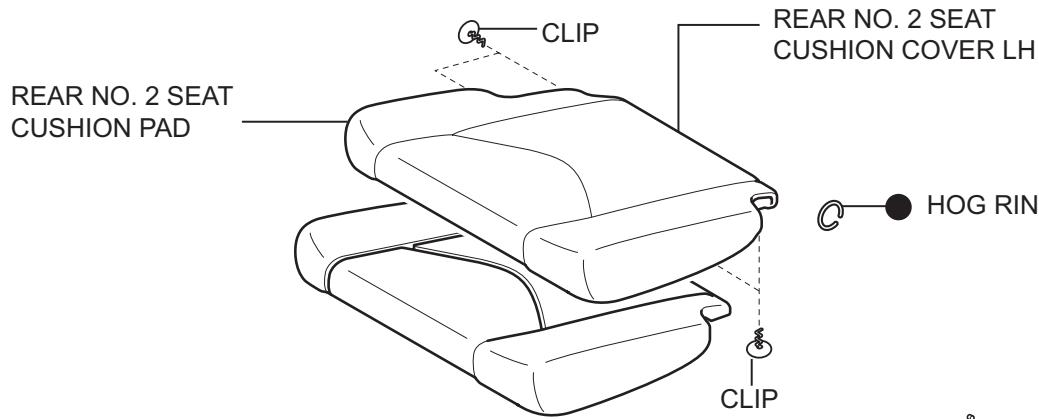
SE



**N\*m (kgf\*cm, ft.\*lbf)** : Specified torque



SE



**N\*m (kgf\*cm, ft.\*lbf)** : Specified torque

● Non-reusable part