

REASSEMBLY

HINT:

- Use the same procedures for the RH side and LH side.
- The procedures listed below are for the LH side.

1. INSTALL SEAT LOCK RELEASE BAND

- (a) Install the band with nut.

HINT:

After installing the band, feed it through the seatback frame hole towards the rear of the vehicle.

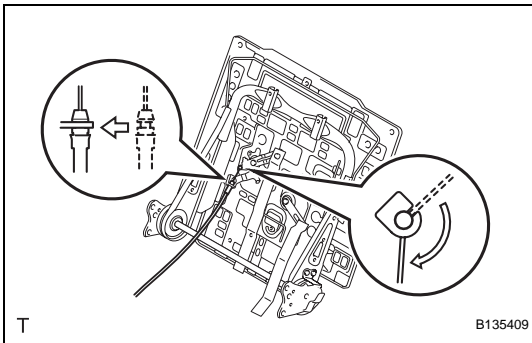
2. INSTALL RECLINING LOCK RELEASE BAND

HINT:

Use the same procedures described for the LH side.

3. INSTALL SEATBACK LOCK CONTROL CABLE ASSEMBLY

- (a) Install the cable to the seatback frame as shown in the illustration.



4. INSTALL REAR SEAT RECLINING INNER COVER LH

- (a) Attach the 2 claws to install the inner cover.

5. INSTALL REAR SEAT RECLINING INNER COVER RH

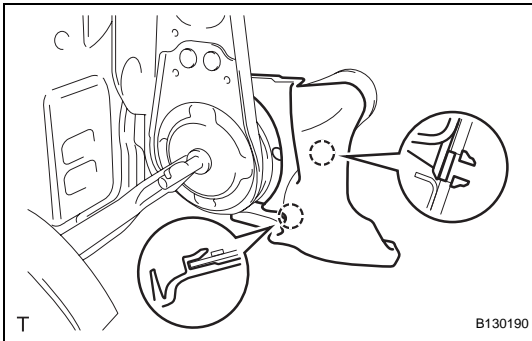
HINT:

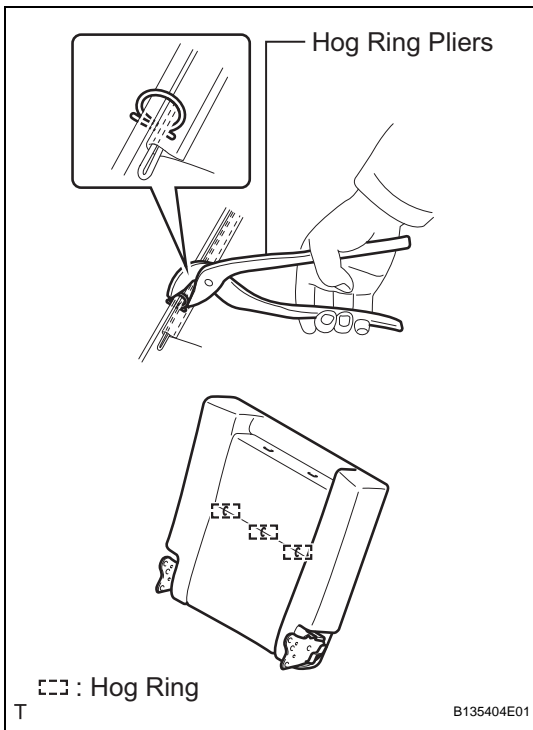
Use the same procedures described for the LH side.

6. INSTALL REAR NO. 2 SEATBACK COVER

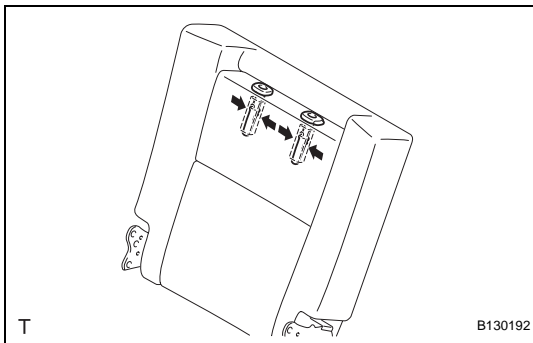
NOTICE:

- Be careful not to damage the cover.
- When installing the hog rings, avoid wrinkling the cover.

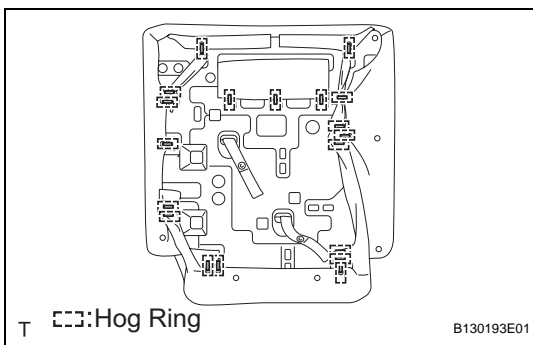




- (a) Using hog ring pliers, install the seatback cover to the seatback pad with 3 new hog rings.
- (b) Install the seatback cover (with pad) to the seatback frame.



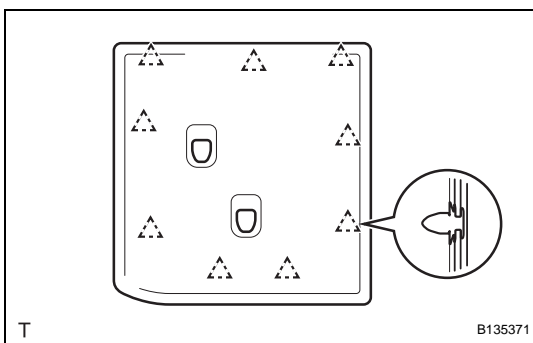
- (c) Attach the 4 claws to install the 2 headrest supports.



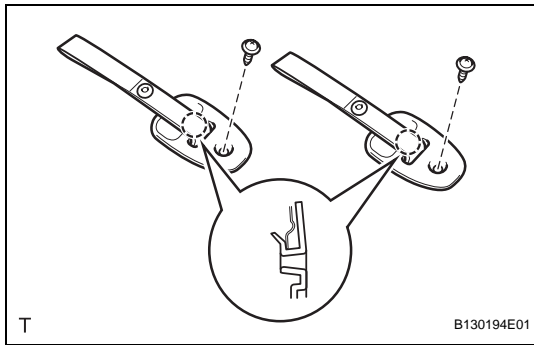
- (d) Using hog ring pliers, install 19 new hog rings.

7. INSTALL REAR SEATBACK BOARD CARPET ASSEMBLY LH

- (a) Pass the 2 release bands through the 2 holes in the seatback board carpet.

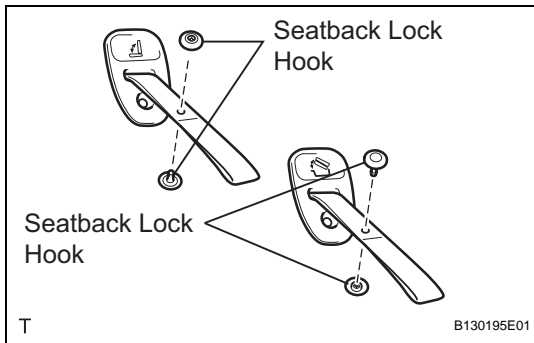


- (b) Attach the 9 clips to install the carpet.
HINT:
Make sure that the release band is not inside the seatback board carpet.

**8. INSTALL REAR SEATBACK LOCK CONTROL BEZEL**

- (a) Pass the 2 release bands through the 2 holes in the 2 bezels.
- (b) Attach the 2 claws to install the 2 bezels.
- (c) Install the 2 screws.

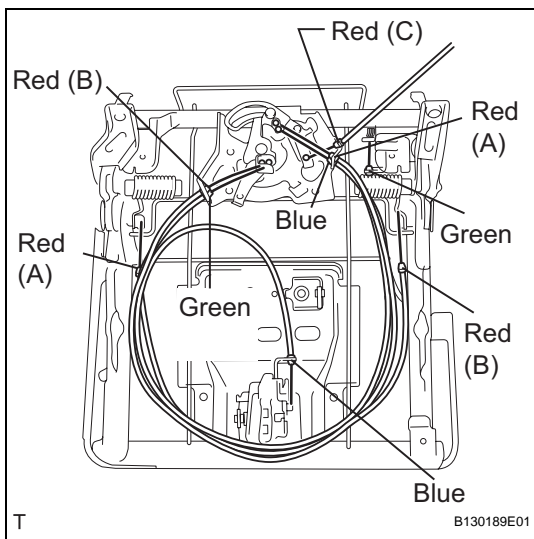
SE



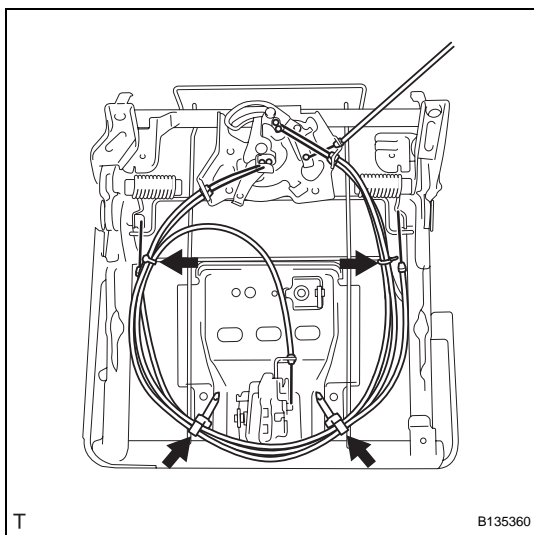
- (d) Install the 4 seatback lock hooks.

9. INSTALL REAR NO. 2 SEAT HEADREST ASSEMBLY**10. INSTALL REAR SEAT CUSHION WIRE SUB-ASSEMBLY**

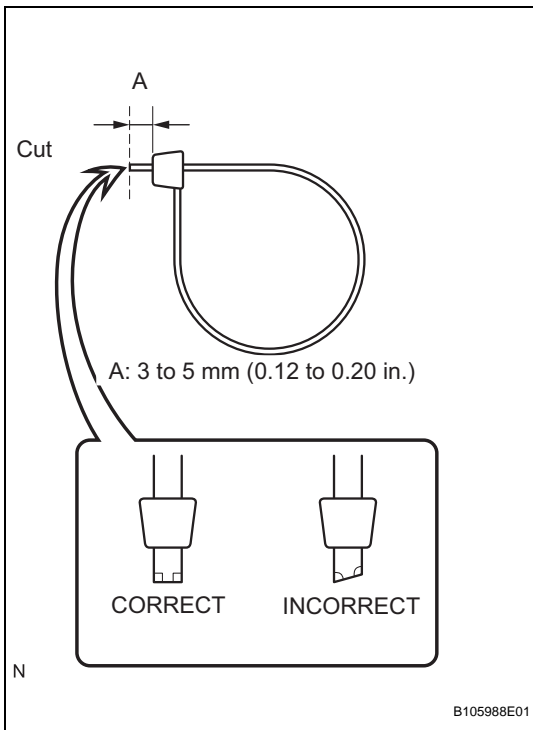
- (a) Install the wire with the nut.
Torque: 18 N*m (184 kgf*cm, 13 ft.*lbf)

**11. INSTALL SEAT LOCK CONTROL CABLE ASSEMBLY**

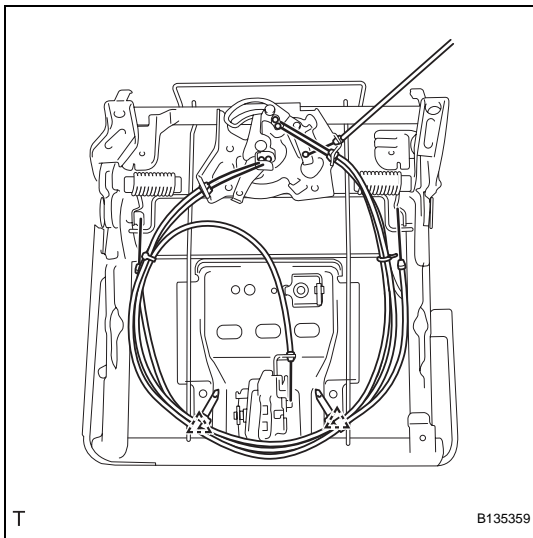
- (a) Install the 5 cables to the seat cushion spring as shown in the illustration.



- (b) Clamp the cables to the seat cushion spring with 4 new cable ties as shown in the illustration.



(c) Cut off the 2 cable ties, as shown in the illustration.

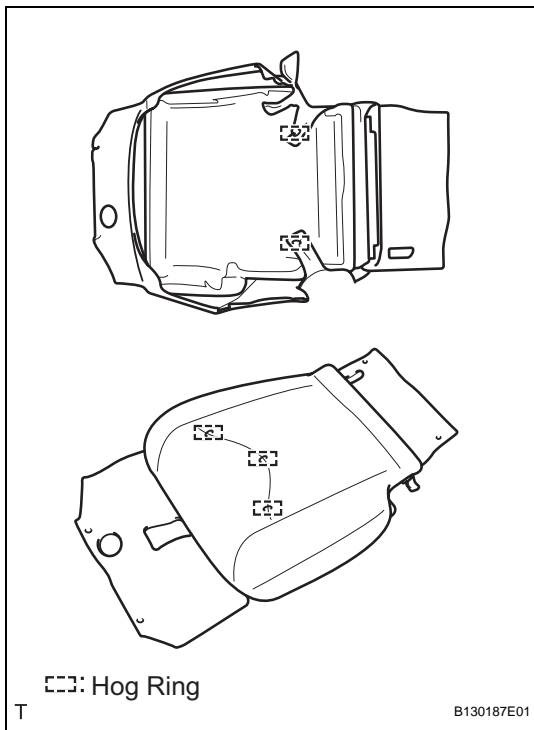


(d) Attach the 2 clamps of the cable tie to the seat cushion spring.

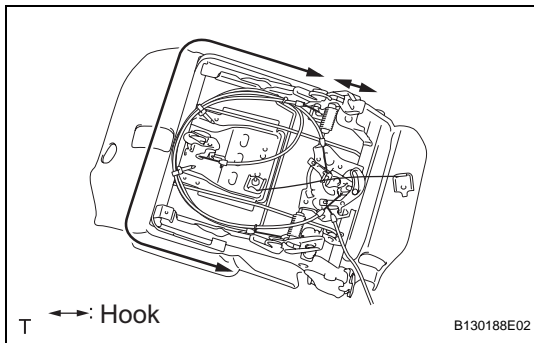
12. INSTALL REAR NO. 2 SEAT CUSHION COVER LH NOTICE:

- Be careful not to damage the cover.
- When installing the hog rings, avoid wrinkling the cover.

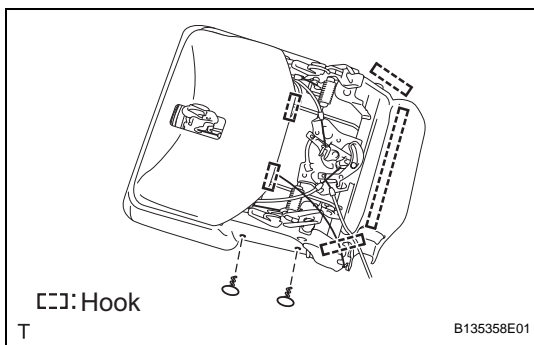
SE



- (a) Using hog ring pliers, install the seat cushion cover to the seat cushion pad with 5 new hog rings.

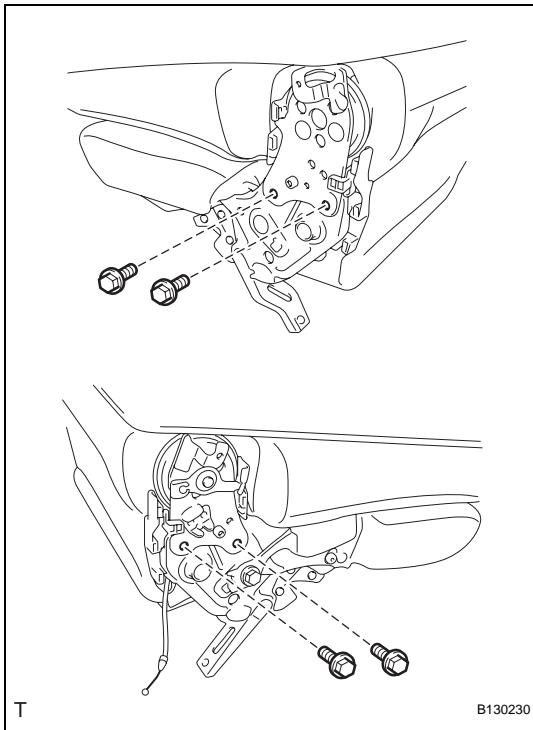


- (b) Attach the hooks and install the seat cushion cover (with pad) to the seat cushion spring.



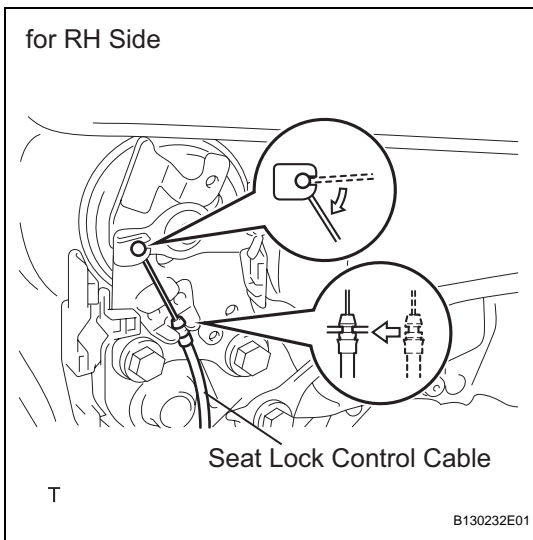
- (c) Attach the 5 hooks.
 (d) Install the 2 clips.

13. INSTALL REAR NO. 2 SEAT INNER BELT ASSEMBLY LH (See page [SB-40](#))

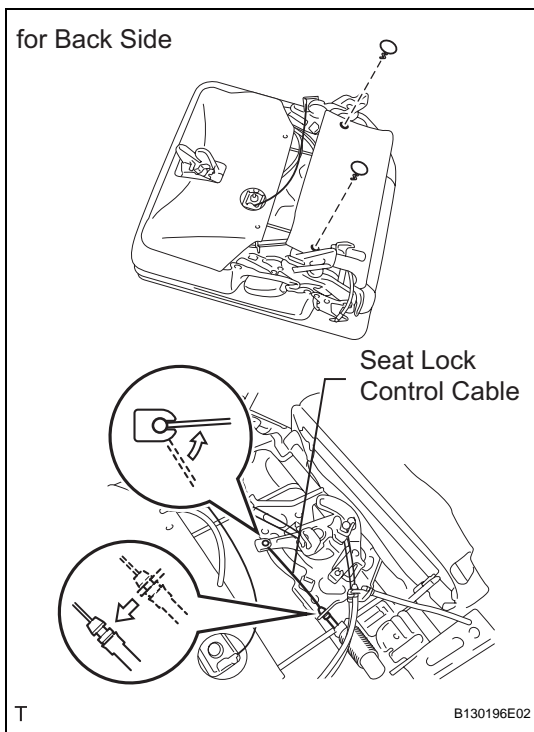
**14. REMOVE REAR NO. 2 SEAT CUSHION ASSEMBLY**

- (a) Install the seat cushion to the seatback with the 4 bolts.

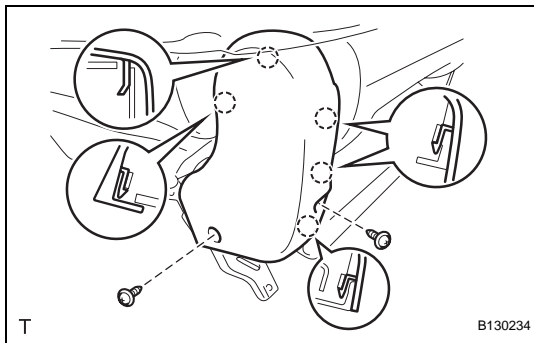
Torque: 42 N*m (428 kgf*cm, 31 ft.*lbf)



- (b) Connect the seat lock control cable of the RH side to the seatback as shown in the illustration.

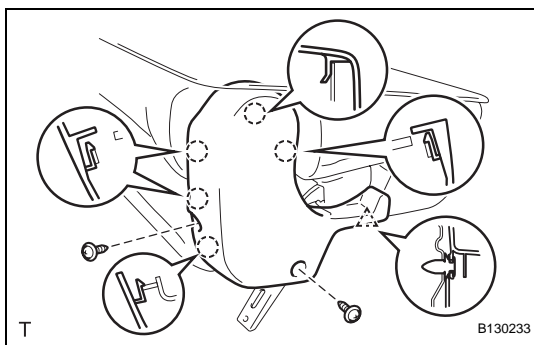


- (c) Connect the seat lock control cable of the back side to the seat cushion as shown in the illustration.
- (d) Close the seat cushion cover and install the 2 clips.



15. INSTALL NO. 1 REAR SEAT RECLINING COVER LH

- (a) Attach the 5 claws to install the cover.
- (b) Install the 2 screws.



16. INSTALL NO. 2 REAR SEAT RECLINING COVER LH

- (a) Attach the clip and 5 claws to install the cover.
- (b) Install the 2 screws.