

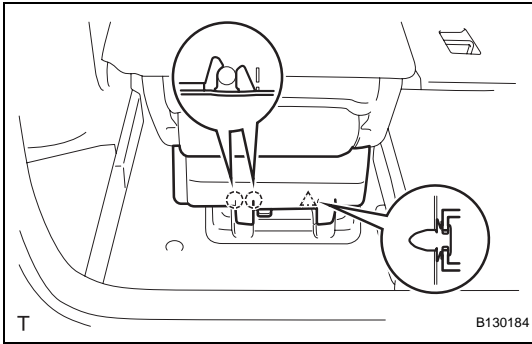
REMOVAL

HINT:

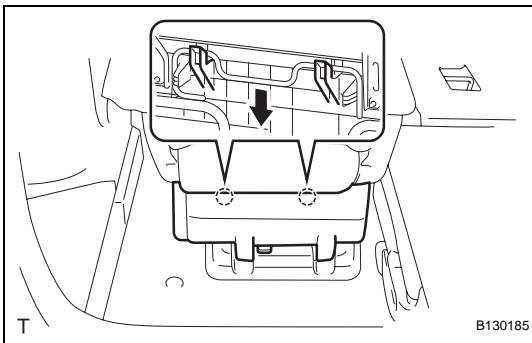
- Use the same procedures for the RH side and LH side.
- The procedures listed below are for the RH side.

1. REMOVE NO. 2 SEAT HINGE COVER LH

- Fully tilt the seatback forward.
- Attach the 2 claws and clip.



- Pull the hinge cover in the direction indicated by the arrow in the illustration to detach the 2 claws. Then, remove the hinge cover.

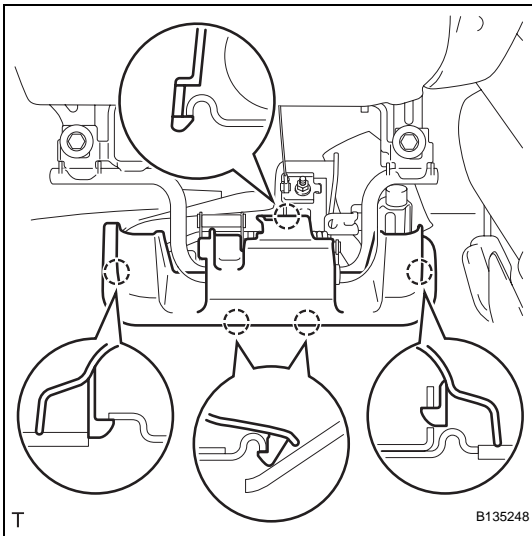


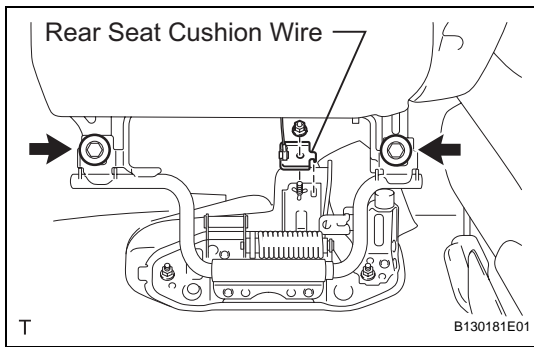
2. REMOVE NO. 2 SEAT LEG COVER LH

- Using a screwdriver, detach the 5 claws and remove the leg cover.

HINT:

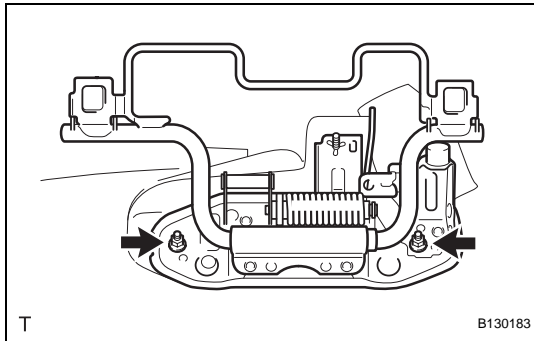
Tape the screwdriver tip before use.



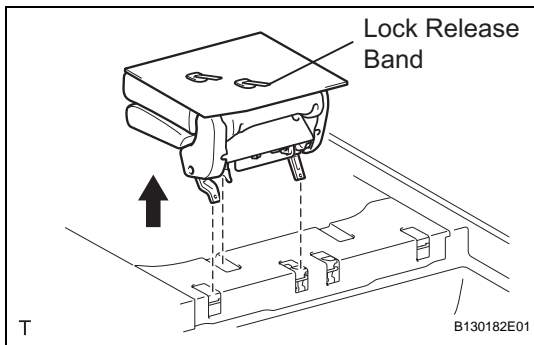


3. REMOVE REAR NO. 2 SEAT ASSEMBLY

- (a) Remove the nut and rear seat cushion wire.
- (b) Remove the 2 bolts. Then disconnect the seat from the rear No. 2 seat link.



- (c) Remove the 2 nuts and the rear No. 2 seat link.

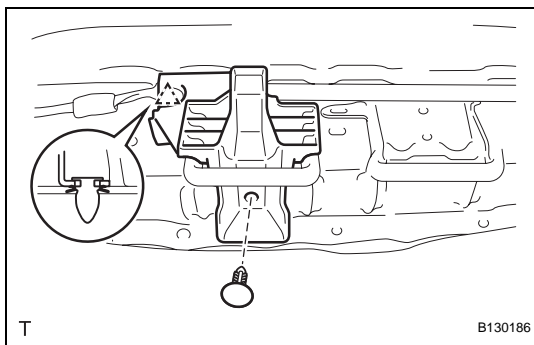


- (d) Pull the lock release band backward and release the 3 seat cushion locks from the lock strikers.
- (e) Lift up and remove the seat.

NOTICE:

Be careful not to damage the vehicle body,

4. REMOVE REAR NO. 1 FLOOR MAT SUPPORT SIDE PLATE



5. REMOVE NO. 2 SEAT LEG BOX PROTECTOR.

- (a) Using a clip remover, remove the clip.
- (b) Detach the clip. Then remove the protector.