

REMOVAL

1. **DISCONNECT CABLE FROM NEGATIVE BATTERY TERMINAL**

CAUTION:

Wait at least 90 seconds after disconnecting the cable from the negative (-) battery terminal to prevent airbag and seat belt pretensioner activation.

2. **REMOVE REAR CONSOLE BOX SUB-ASSEMBLY**

- (a) Remove the rear console box (see page [IP-16](#)).

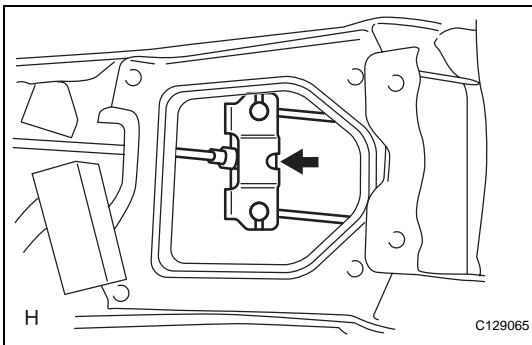
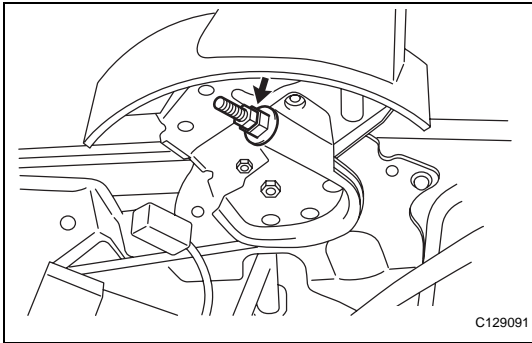
HINT:

Refer to the procedures from the removal of the No. 1 console upper panel garnish up until the removal of the rear console box sub-assembly.

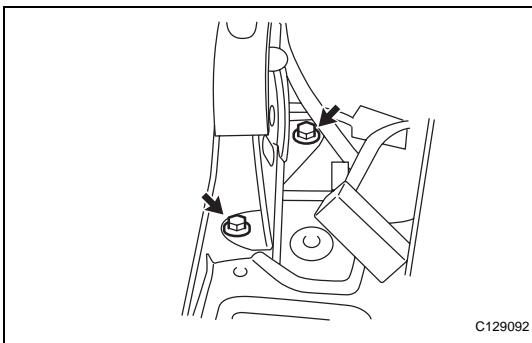
3. **REMOVE PARKING BRAKE LEVER SUB-ASSEMBLY**

- (a) Disconnect the parking brake switch connector.

- (b) Remove the lock nut and wire adjusting nut.



- (c) Disconnect the No. 1 parking brake cable from the parking brake equalizer.



- (d) Remove the 2 bolts and parking brake lever (with the No. 1 parking brake cable).

4. **REMOVE NO. 1 PARKING BRAKE CABLE ASSEMBLY**

- (a) Disconnect the cable from the lever.

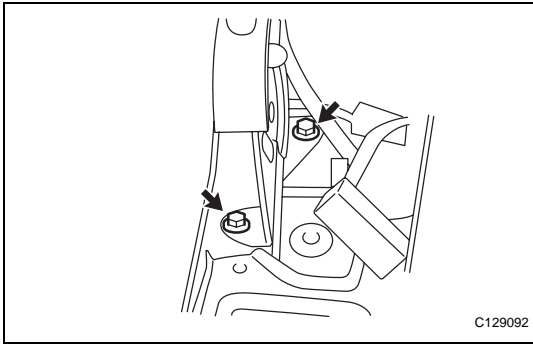
5. **REMOVE PARKING BRAKE SWITCH ASSEMBLY**

- (a) Remove the screw and switch from the lever.

INSTALLATION

1. INSTALL PARKING BRAKE SWITCH ASSEMBLY

- (a) Install the parking brake switch with the screw.
Torque: 0.88 N*m (9.0 kgf*cm, 7.8 in.*lbf)

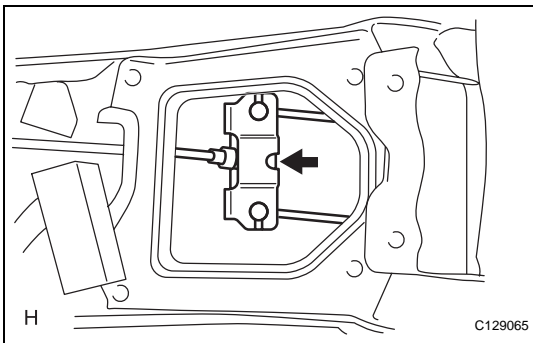


2. INSTALL NO. 1 PARKING BRAKE CABLE ASSEMBLY

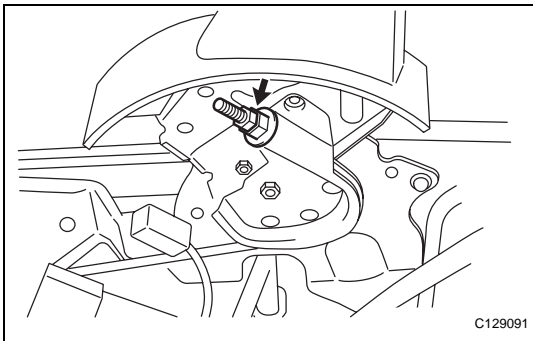
- (a) Connect the cable to the lever.

3. INSTALL PARKING BRAKE LEVER SUB-ASSEMBLY

- (a) Install the parking brake lever (with the No. 1 parking brake cable) with the 2 bolts.
Torque: 14.5 N*m (148 kgf*cm, 11 ft.*lbf)



- (b) Connect the No. 1 parking brake cable to the parking brake equalizer.



- (c) Temporarily install the wire adjusting nut and lock nut.

- (d) Connect the parking brake switch connector.

4. CHECK PARKING BRAKE LEVER TRAVEL (See page [PB-1](#))

5. ADJUST PARKING BRAKE LEVER TRAVEL (See page [PB-2](#))

6. INSTALL REAR CONSOLE BOX SUB-ASSEMBLY

- (a) Install the rear console box (see page [IP-23](#)).

HINT:

Refer to the procedures from the installation of the rear console box sub-assembly up until the installation of the No. 1 console upper panel garnish.

7. CONNECT CABLE TO NEGATIVE BATTERY TERMINAL