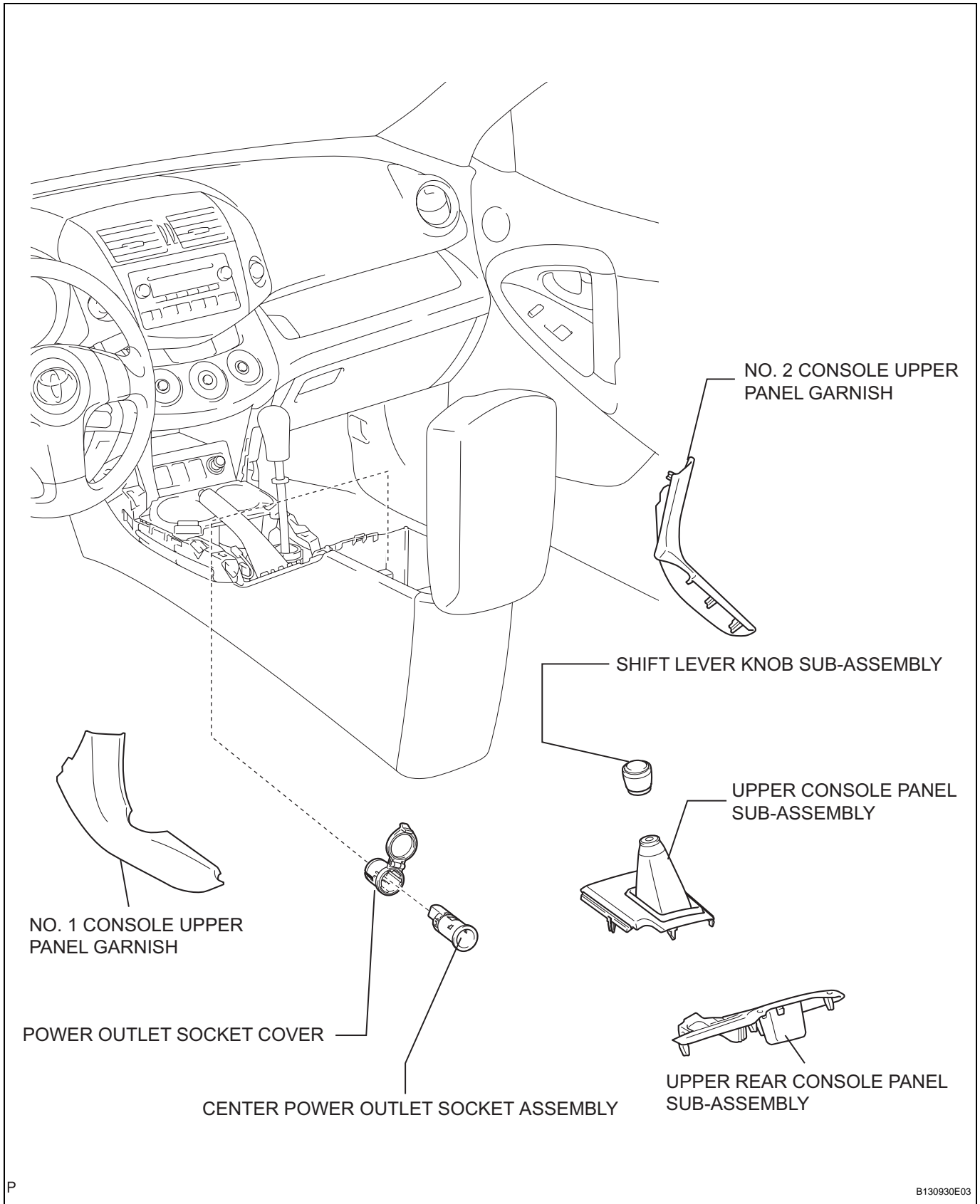


# CENTER POWER OUTLET SOCKET

## COMPONENTS



OT

## REMOVAL

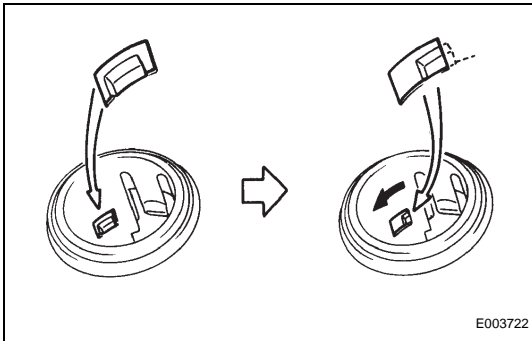
1. DISCONNECT CABLE FROM NEGATIVE BATTERY TERMINAL

### CAUTION:

Wait at least 90 seconds after disconnecting the cable from the negative (-) battery terminal to prevent airbag and seat belt pretensioner activation.

2. REMOVE NO. 1 CONSOLE UPPER PANEL GARNISH (See page IP-17)
3. REMOVE NO. 2 CONSOLE UPPER PANEL GARNISH (See page IP-18)
4. REMOVE SHIFT LEVER KNOB SUB-ASSEMBLY
5. REMOVE UPPER CONSOLE PANEL SUB-ASSEMBLY (See page IP-18)
6. REMOVE UPPER REAR CONSOLE PANEL SUB-ASSEMBLY (See page IP-19)
7. REMOVE CENTER POWER OUTLET SOCKET ASSEMBLY

(a) Rotate the socket to disengage the notch.



(b) Pull out the socket halfway and rotate the socket until its protrusion is aligned with the groove of the cover.

(c) Remove the socket from the cover.

