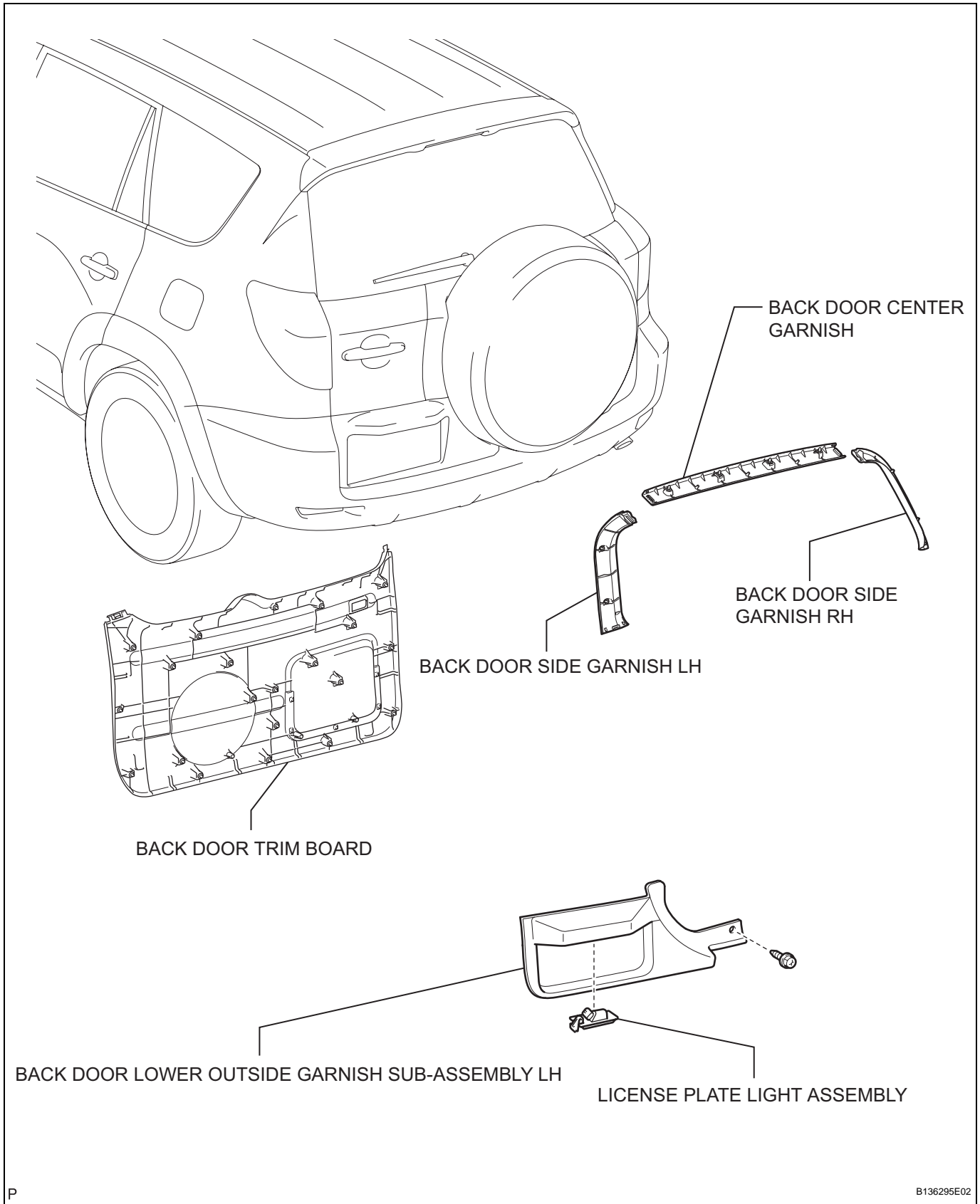


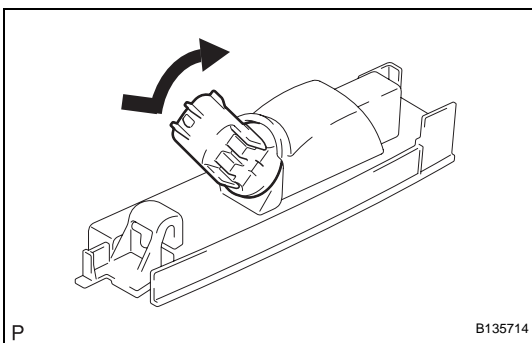
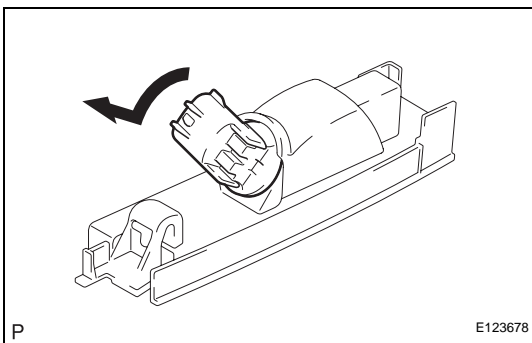
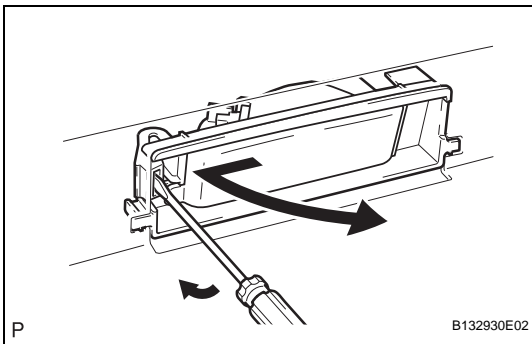
LICENSE PLATE LIGHT ASSEMBLY

COMPONENTS



REMOVAL

1. **DISCONNECT CABLE FROM NEGATIVE BATTERY TERMINAL**
CAUTION:
 Wait at least 90 seconds after disconnecting the cable from the negative (-) battery terminal to prevent airbag and seat belt pretensioner activation.
2. **REMOVE BACK DOOR CENTER GARNISH** (See page [ED-59](#))
3. **REMOVE BACK DOOR SIDE GARNISH LH** (See page [ED-59](#))
4. **REMOVE BACK DOOR SIDE GARNISH RH** (See page [ED-59](#))
5. **REMOVE BACK DOOR TRIM BOARD** (See page [ED-59](#))
6. **REMOVE BACK DOOR LOWER OUTSIDE GARNISH SUB-ASSEMBLY LH** (See page [ET-60](#))
7. **REMOVE LICENSE PLATE LIGHT ASSEMBLY**
 - (a) Disconnect the connector.
 - (b) Using a screwdriver, remove the light as shown in the illustration.



DISASSEMBLY

1. **REMOVE LICENSE PLATE LIGHT BULB**
 - (a) Turn the bulb/socket unit in the direction indicated by the arrow and pull to remove it.
 - (b) Remove the bulb from the socket.

REASSEMBLY

1. **INSTALL LICENSE PLATE LIGHT BULB**
 - (a) Install the bulb to the socket.
 - (b) Insert the bulb/socket unit into the headlight.
 - (c) Turn the bulb/socket unit in the direction indicated by the arrow to install it.