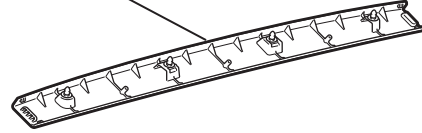


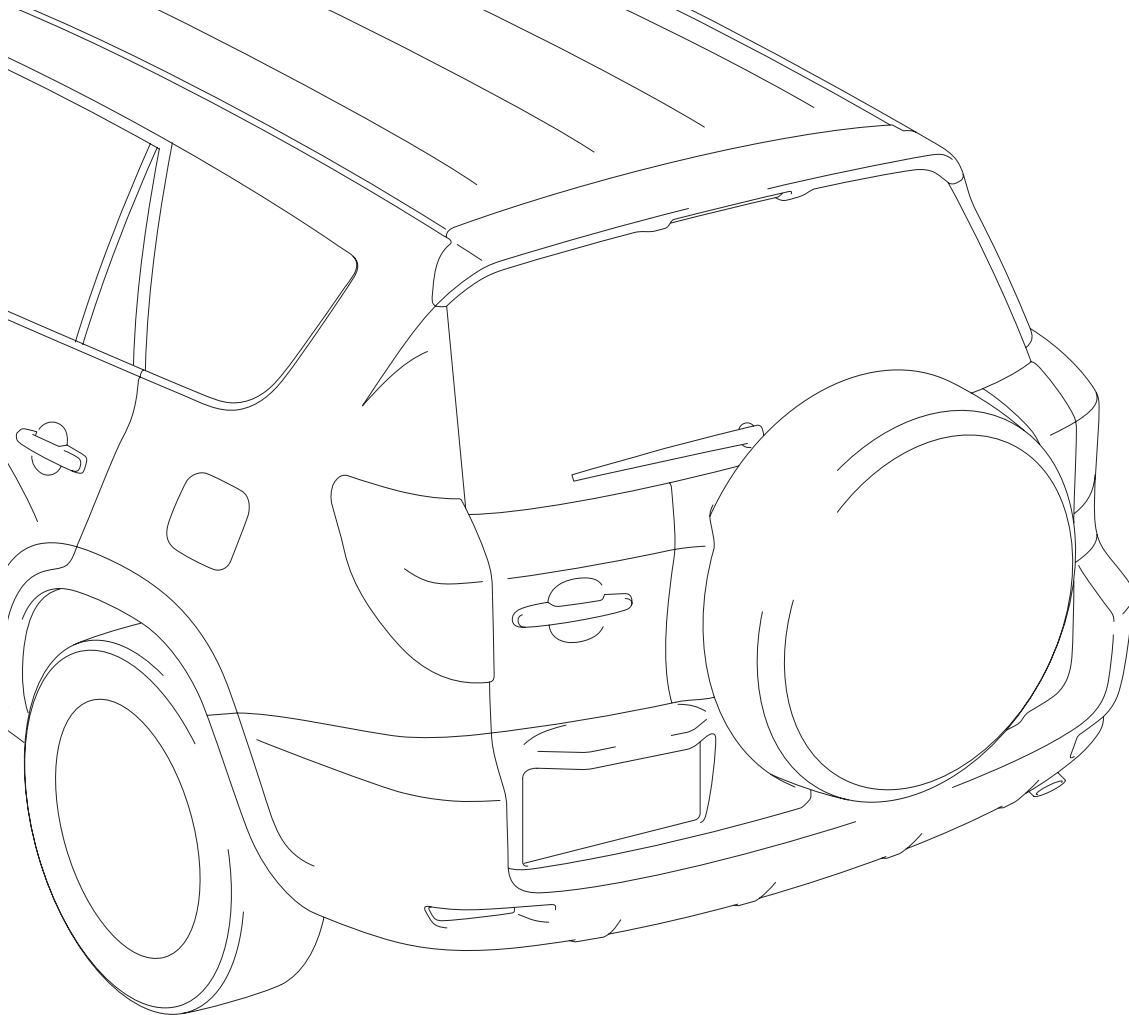
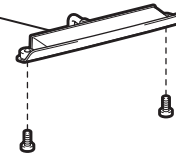
# HIGH MOUNTED STOP LIGHT ASSEMBLY

## COMPONENTS

BACK DOOR CENTER GARNISH

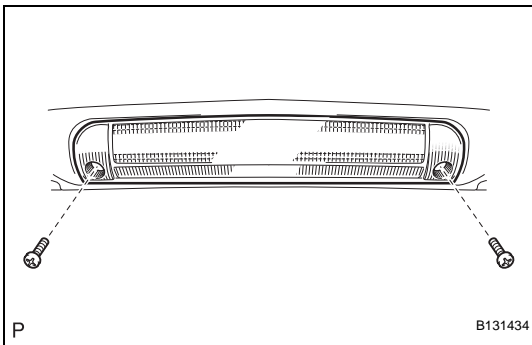
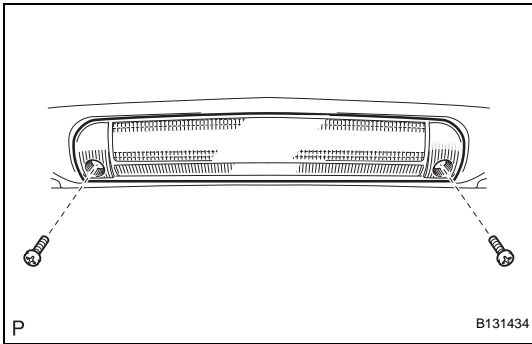


CENTER STOP LIGHT ASSEMBLY



## REMOVAL

1. **DISCONNECT CABLE FROM NEGATIVE BATTERY TERMINAL**  
**CAUTION:**  
Wait at least 90 seconds after disconnecting the cable from the negative (-) battery terminal to prevent airbag and seat belt pretensioner activation.
2. **REMOVE BACK DOOR CENTER GARNISH** (See page [ED-59](#))
3. **REMOVE CENTER STOP LIGHT ASSEMBLY**
  - (a) Disconnect the connector.
  - (b) Remove the 2 screws and center stop light.



## INSTALLATION

1. **INSTALL CENTER STOP LIGHT ASSEMBLY**
  - (a) Install the center stop light with the 2 screws.
  - (b) Connect the connector.
2. **INSTALL BACK DOOR CENTER GARNISH** (See page [ED-67](#))
3. **CONNECT CABLE TO NEGATIVE BATTERY TERMINAL**