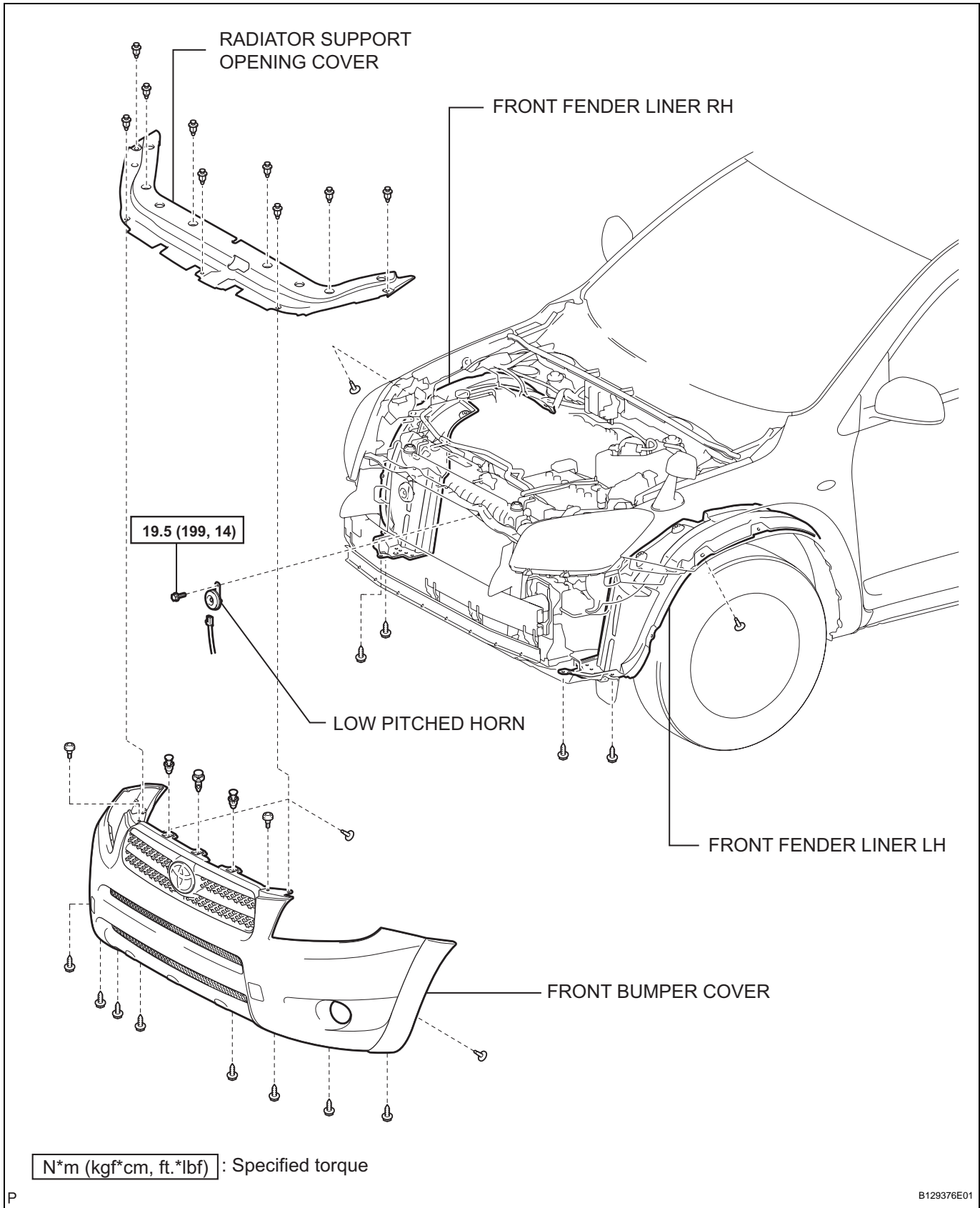


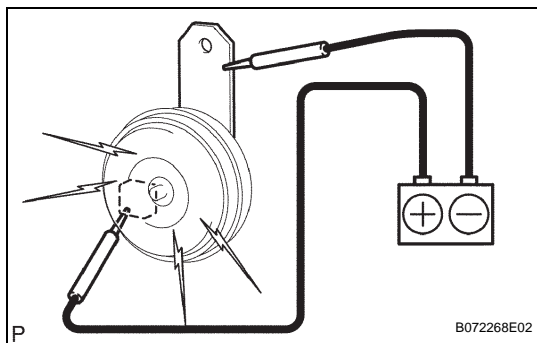
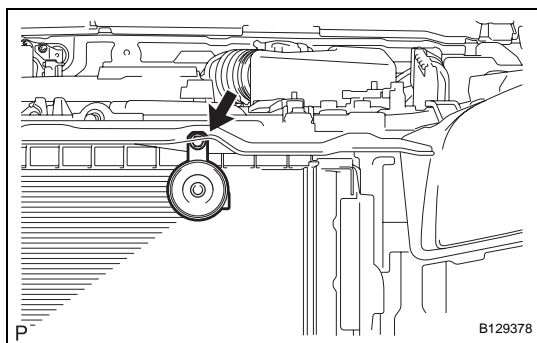
# LOW PITCHED HORN

## COMPONENTS



## REMOVAL

1. REMOVE RADIATOR SUPPORT OPENING COVER (See page [ET-4](#))
2. REMOVE FRONT FENDER LINER LH (See page [ET-4](#))
3. REMOVE FRONT FENDER LINER RH (See page [ET-4](#))
4. REMOVE FRONT BUMPER COVER (See page [ET-5](#))
5. REMOVE LOW PITCHED HORN
  - (a) Disconnect the horn connector.
  - (b) Remove the bolt and horn.



## INSPECTION

1. INSPECT LOW PITCHED HORN
  - (a) Apply battery voltage to the horn and check the operation of the horn.

OK

Measurement Condition	Specified Condition
Battery positive (+) → Terminal 1	Horn sounds
Battery negative (-) → Horn bracket	

If the result is not as specified, replace the horn.

## INSTALLATION

1. INSTALL LOW PITCHED HORN
  - (a) Place the stay onto the baffle part of the radiator support upper, and then install the horn with the bolt.
 

**Torque: 19.5 N\*m (199 kgf\*cm, 14 ft.\*lbf)**
  - (b) Connect the horn connector.
2. INSTALL FRONT BUMPER COVER (See page [ET-11](#))
3. INSTALL FRONT FENDER LINER RH (See page [ET-12](#))
4. INSTALL FRONT FENDER LINER LH (See page [ET-12](#))
5. INSTALL RADIATOR SUPPORT OPENING COVER (See page [ET-12](#))

