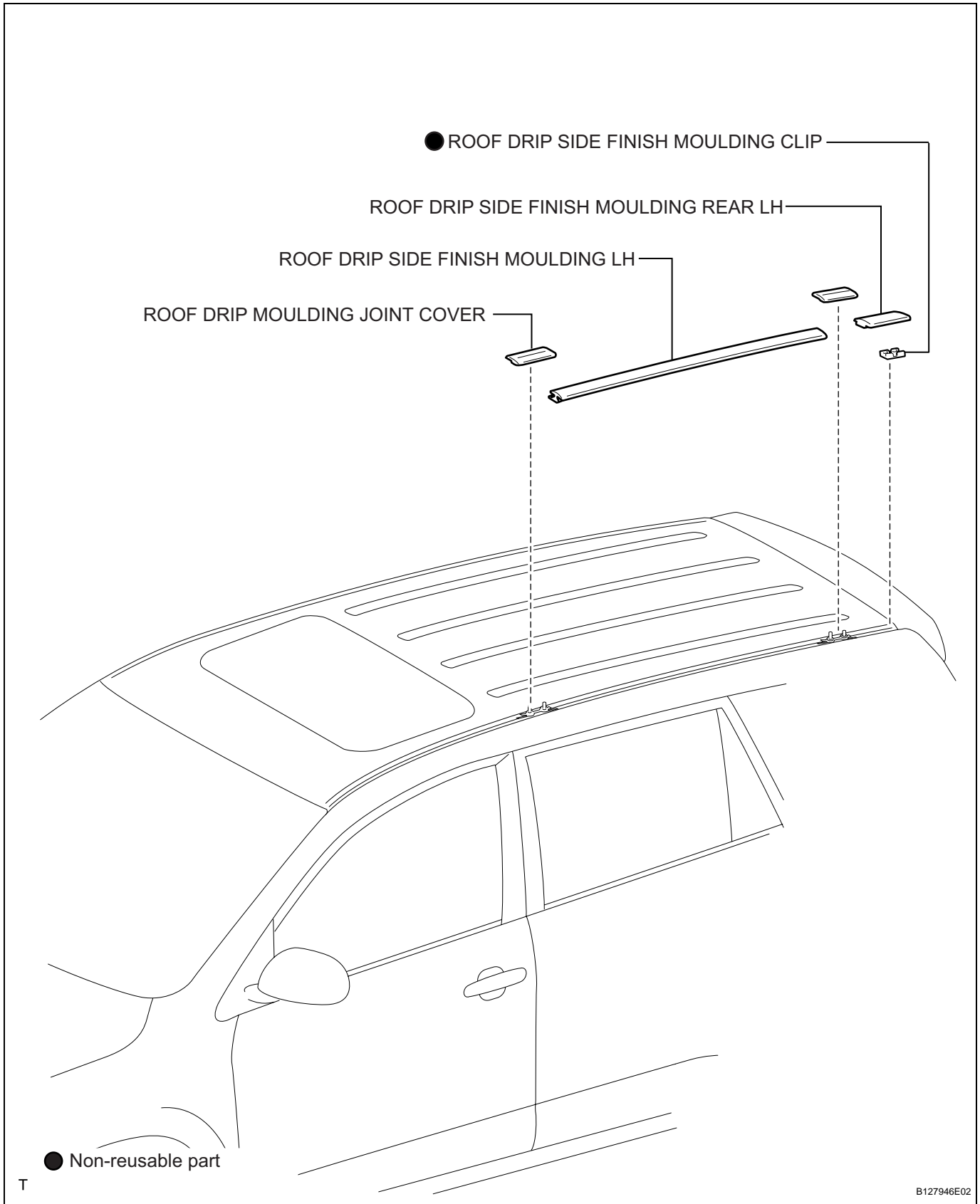


# ROOF DRIP SIDE FINISH MOULDING

## COMPONENTS



ET

## REMOVAL

### HINT:

- Use the same procedures for the RH side and LH side.
- The procedures listed below are for the LH side.

### 1. REMOVE ROOF DRIP SIDE FINISH MOULDING LH

- (a) Remove the 2 roof drip moulding joint covers from the vehicle body.
- (b) Remove the roof drip side finish moulding and No. 2 center roof drip side finish moulding.

### NOTICE:

- **Do not remove the clips from the vehicle body.**
- **If the clips are damaged or removed accidentally, replace them.**

