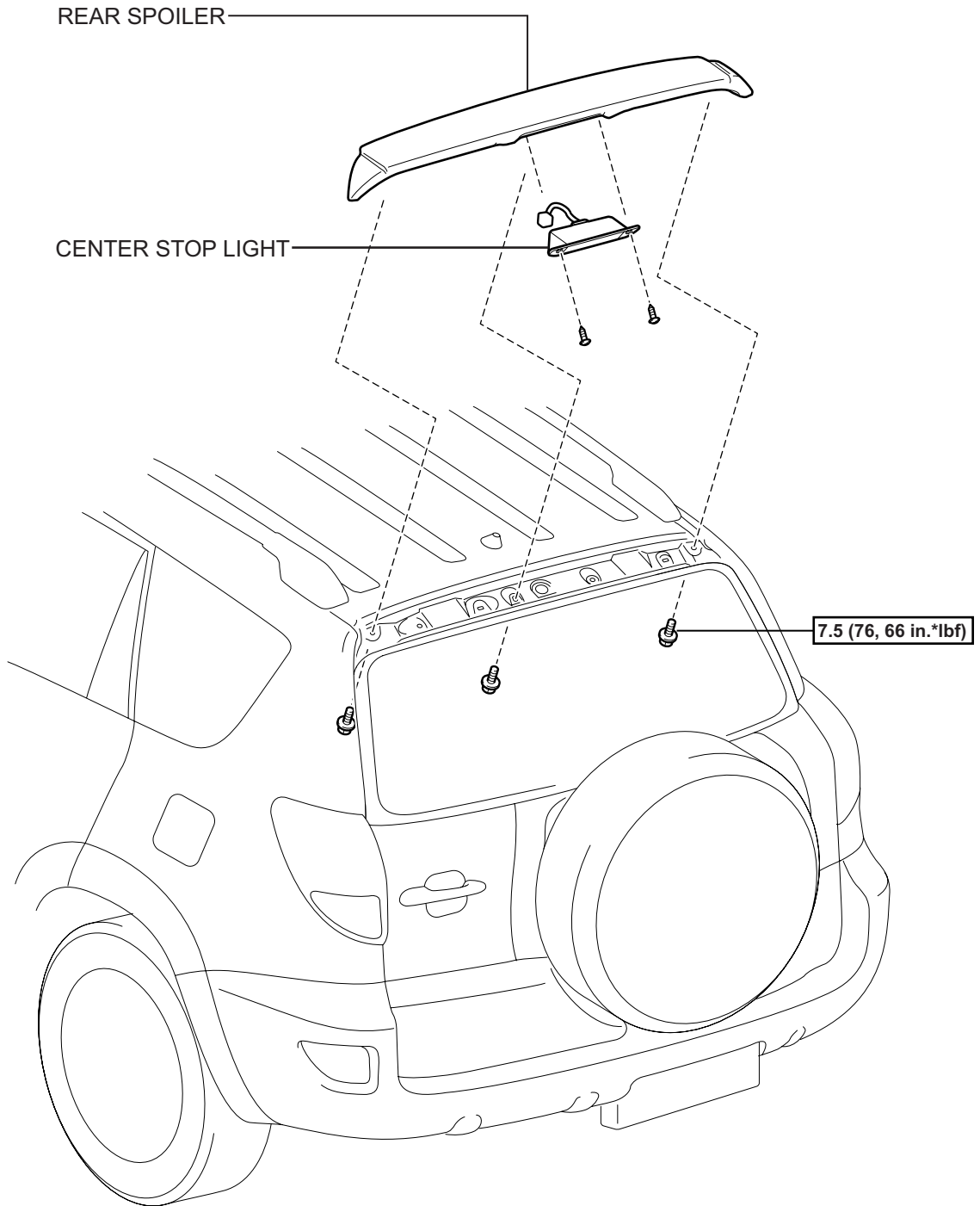


# REAR SPOILER COMPONENTS

ET



**N\*m (kgf\*cm, ft.\*lbf)** : Specified torque

## REMOVAL

### HINT:

When removing the spoiler, heat the vehicle body and spoiler using a heat light.

### Standard heating temperature

Item	Specified Condition
Vehicle body	40 to 60°C (104 to 140°F)
Spoiler	20 to 30°C (68 to 86°F)

### NOTICE:

Do not heat the vehicle body and spoiler excessively.

### 1. DISCONNECT CABLE FROM NEGATIVE BATTERY TERMINAL

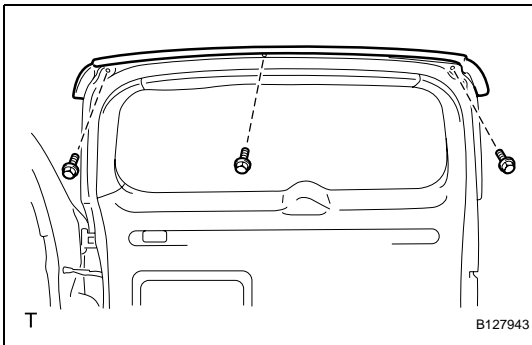
#### CAUTION:

Wait at least 90 seconds after disconnecting the cable from the negative (-) battery terminal to prevent airbag and seat belt pretensioner activation.

### 2. REMOVE BACK DOOR CENTER GARNISH (See page [ED-59](#))

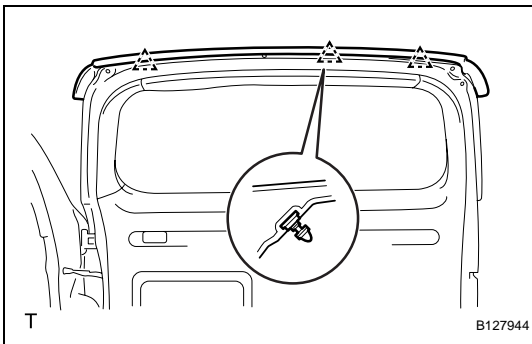
### 3. REMOVE REAR SPOILER

(a) Remove the 3 bolts.



(b) Remove the 3 clips and spoiler.

(c) Disconnect the center stop light connector and remove the rear spoiler.



### 4. REMOVE CENTER STOP LIGHT

(a) Remove the 2 screws and center stop light.

