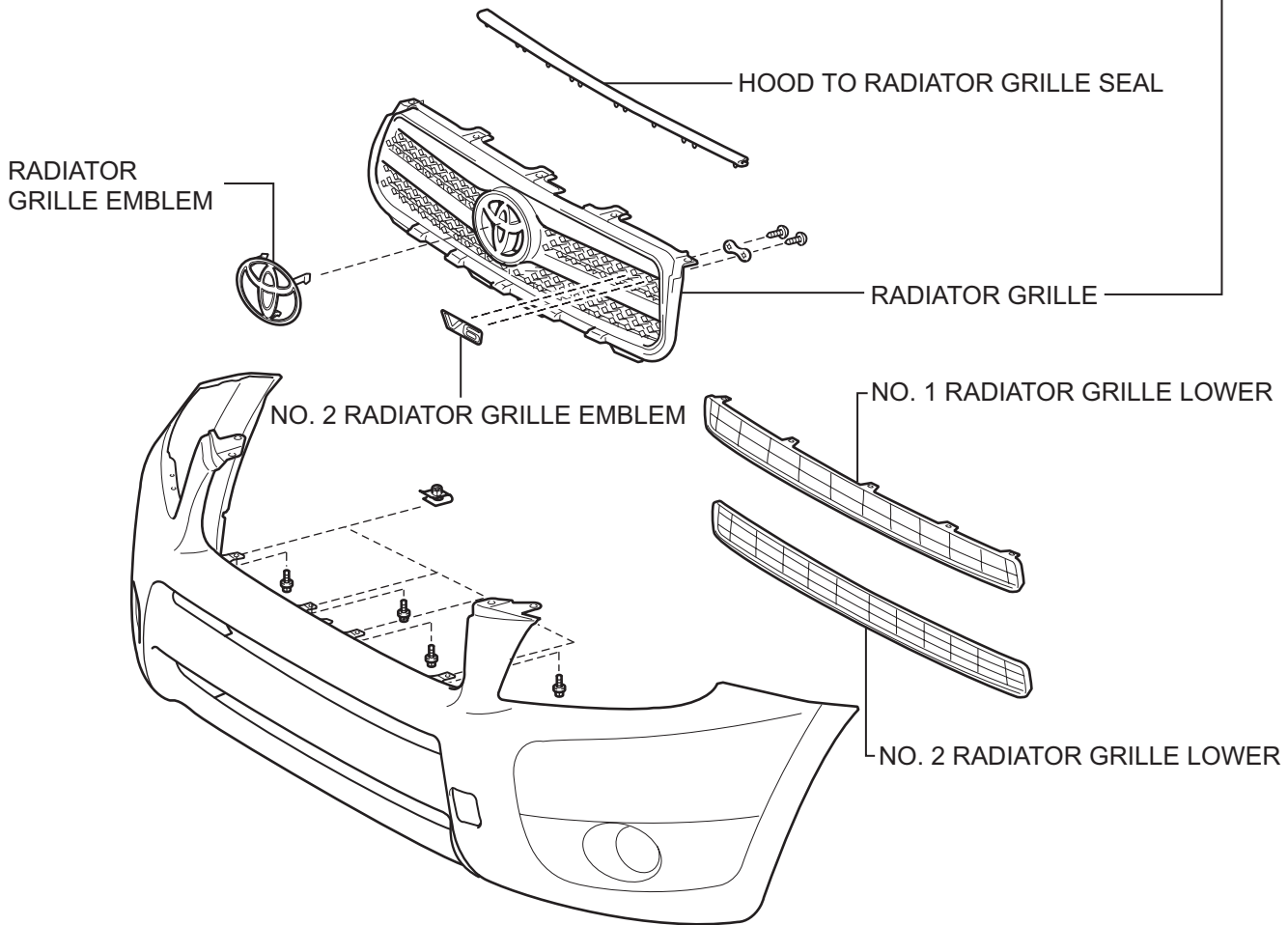
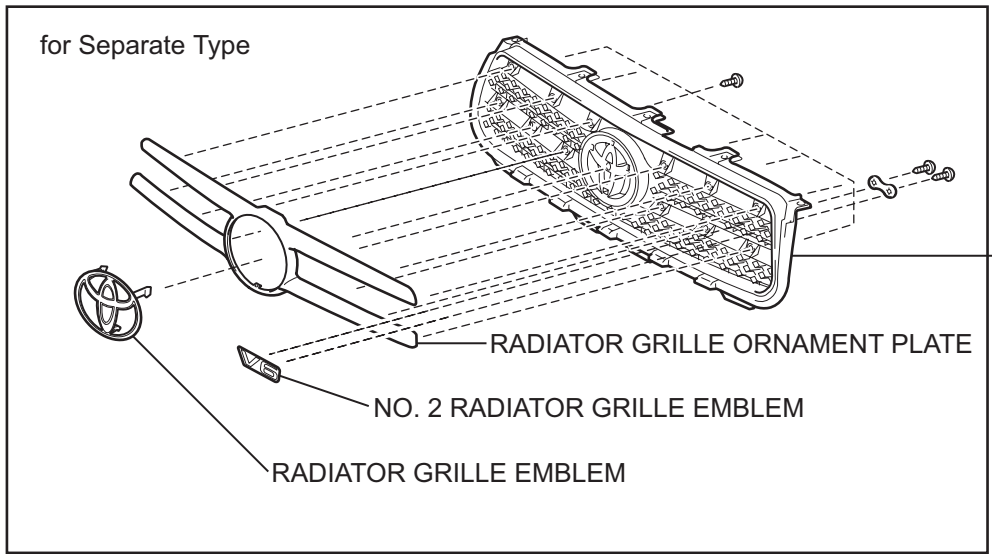


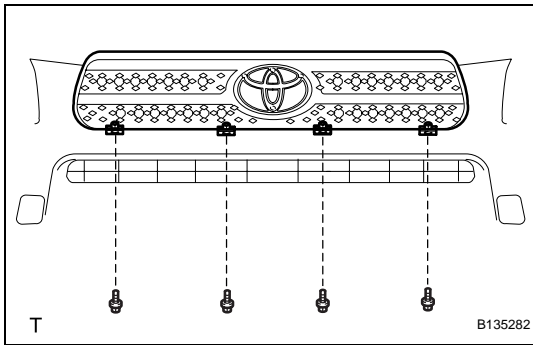
# RADIATOR GRILLE (for 2GR-FE)

## COMPONENTS

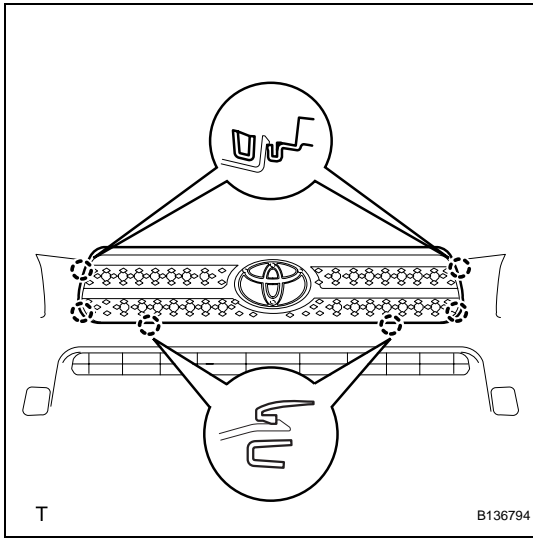


**REMOVAL****1. REMOVE RADIATOR GRILLE SUB-ASSEMBLY**

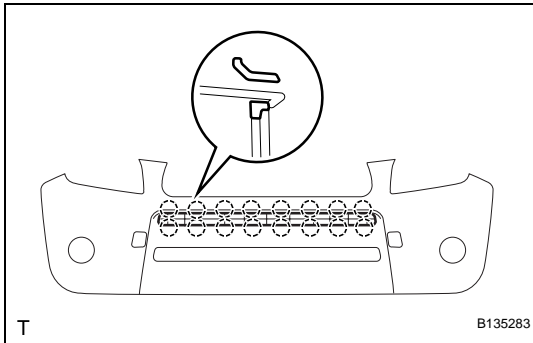
(a) Remove the 4 bolts and 4 nuts.



(b) Detach the 6 claws and remove the radiator grille.

**2. REMOVE NO. 1 RADIATOR GRILLE LOWER**

(a) Detach the 16 claws and remove the radiator grille.

**3. REMOVE NO. 2 RADIATOR GRILLE LOWER**

(a) Detach the 16 claws and remove the radiator grille.

