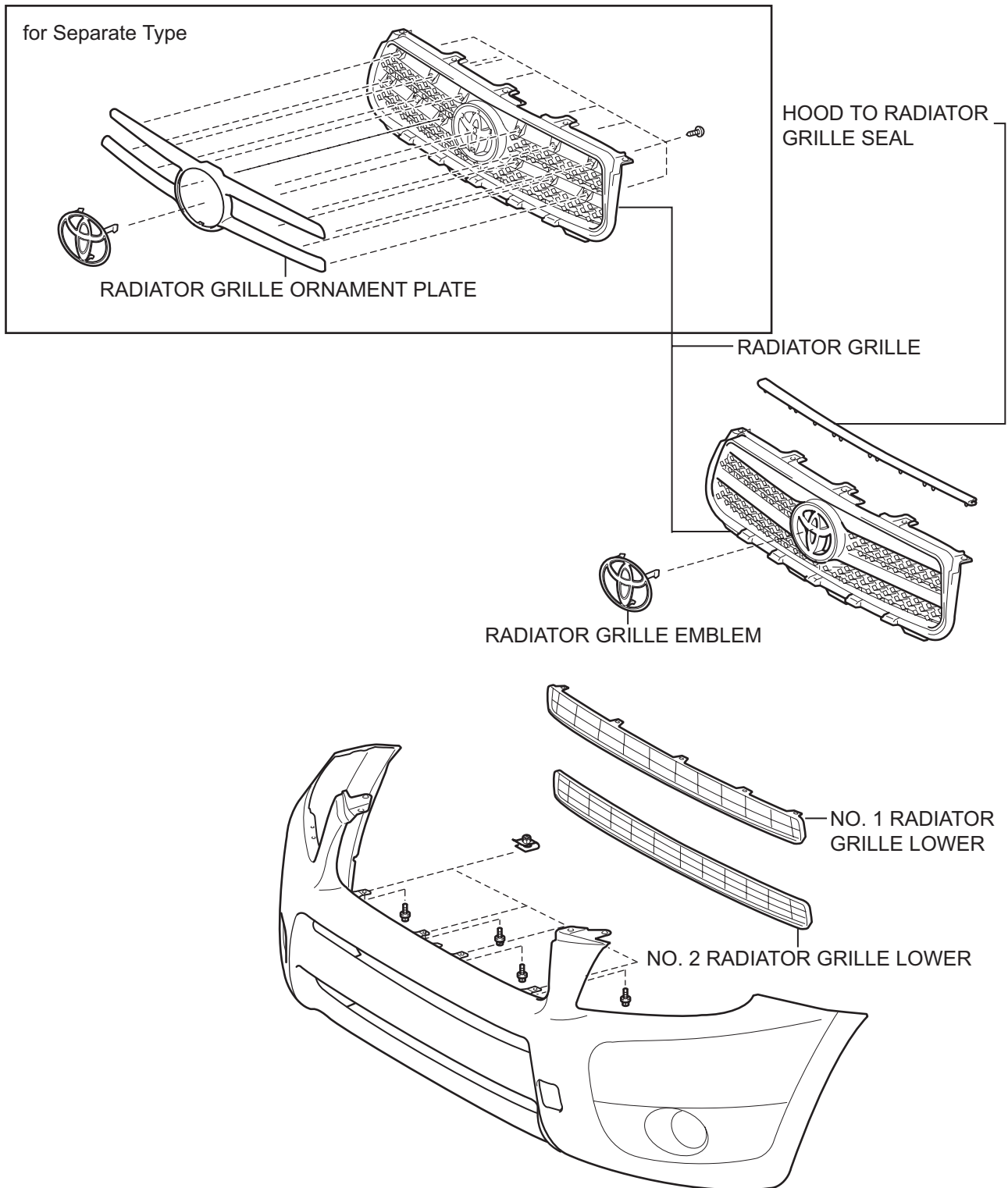


# RADIATOR GRILLE

## COMPONENTS



ET

## REMOVAL

1. REMOVE RADIATOR GRILLE (See page [ET-6](#))
2. REMOVE NO. 1 RADIATOR GRILLE LOWER (See page [ET-7](#))
3. REMOVE NO. 2 RADIATOR GRILLE LOWER (See page [ET-7](#))

## DISASSEMBLY

### HINT:

When removing the ornament plate and emblem, heat the radiator grille, ornament plate and emblem using a heat light.

### Standard heating temperature

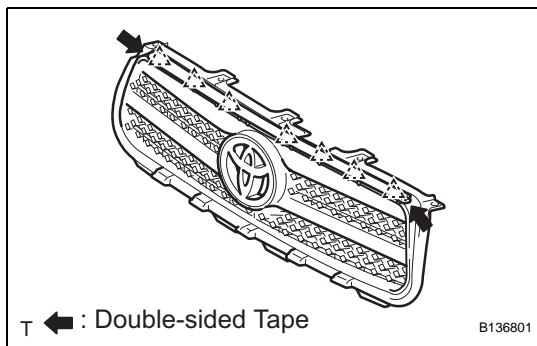
Item	Specified Condition
Radiator grille, ornament plate, emblem	20 to 30°C (68 to 86°F)

### NOTICE:

Do not heat the emblem base and emblem excessively.

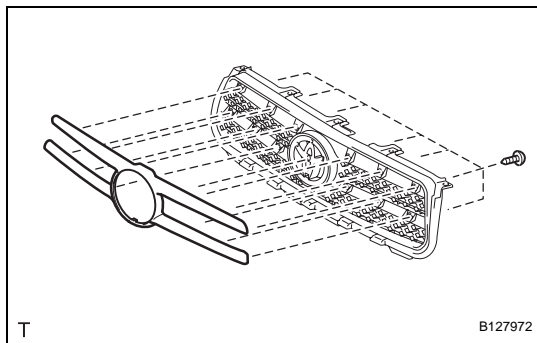
#### 1. REMOVE HOOD TO RADIATOR GRILLE SEAL

- (a) Remove the double-side tape.
- (b) Detach the 7 clips and remove the hood to radiator grille seal.



#### 2. REMOVE RADIATOR GRILLE ORNAMENT PLATE (for Separate Type)

- (a) Remove the 12 screws and ornament plate.



#### 3. REMOVE RADIATOR GRILLE EMBLEM

- (a) Using a screwdriver, detach the 4 claws and remove the emblem from the radiator grille.

### HINT:

Tape the screwdriver tip before use.

### NOTICE:

- If reusing the emblem, take care not to damage the emblem.
- Be careful not to damage the emblem base.

