

## REASSEMBLY

### HINT:

When installing the ornament plate and emblem, heat the radiator grille, ornament plate and emblem using a heat light.

### Standard heating temperature

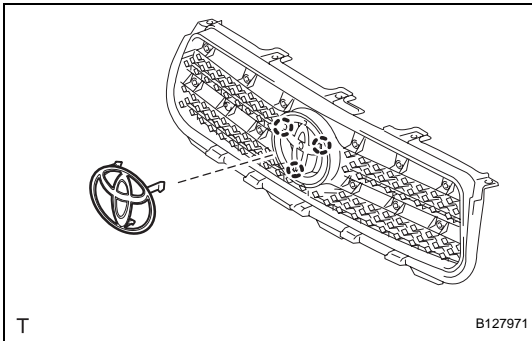
Item	Specified Condition
Emblem base, emblem	20 to 30°C (68 to 86°F)

### NOTICE:

Do not heat the emblem base and emblem excessively.

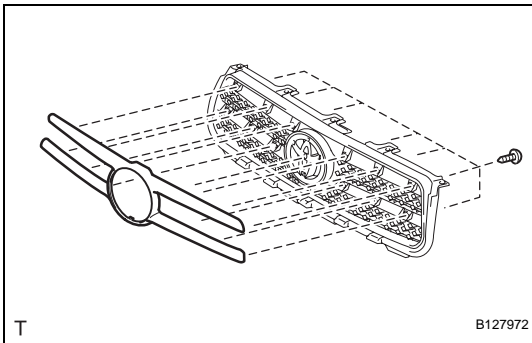
#### 1. INSTALL RADIATOR GRILLE EMBLEM

- (a) Attach the 4 claws to install the radiator grille.



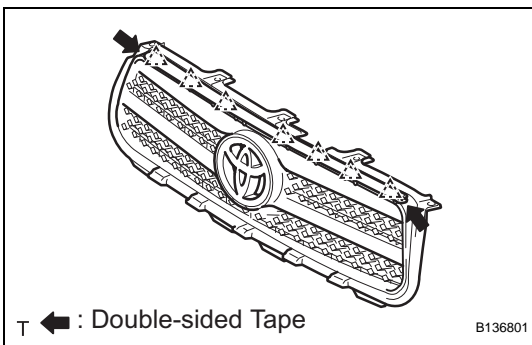
#### 2. INSTALL RADIATOR GRILLE ORNAMENT PLATE (for Separate Type)

- (a) Install the ornament plate with the 12 screws.



#### 3. INSTALL HOOD TO RADIATOR GRILLE SEAL

- (a) Install the new double-side tape.  
 (b) Attach the 7 clips and install the hood to radiator grille seal.



## INSTALLATION

1. **INSTALL NO. 2 RADIATOR GRILLE LOWER** (See page [ET-9](#))
2. **INSTALL NO. 1 RADIATOR GRILLE LOWER** (See page [ET-9](#))
3. **INSTALL RADIATOR GRILLE** (See page [ET-10](#))