

## REMOVAL

### NOTICE:

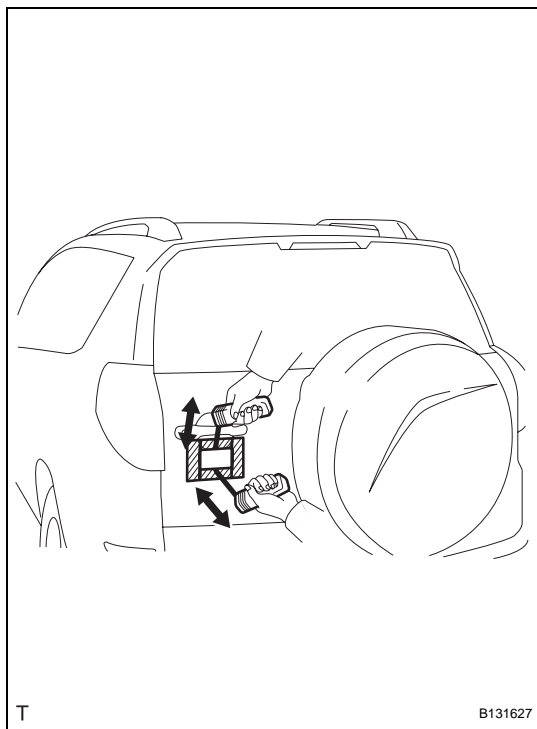
Do not heat the vehicle body, emblem and name plate excessively.

### HINT:

When removing the emblem and name plate, heat the vehicle body, emblem and name plate using a heat light.

### Standard heating temperature

Item	Specified Condition
Vehicle body	40 to 60°C (104 to 140°F)
Name plate	20 to 30°C (68 to 86°F)



### 1. REMOVE NO. 1 BACK DOOR EMBLEM ASSEMBLY

- Put protective tape around the emblem.
- Insert a piano wire between the vehicle body and emblem.
- Tie objects that can serve as handles (for example, wooden blocks) to both wire ends.
- Pull the piano wire and scrape off the double-sided tape that holds the emblem to the vehicle body.

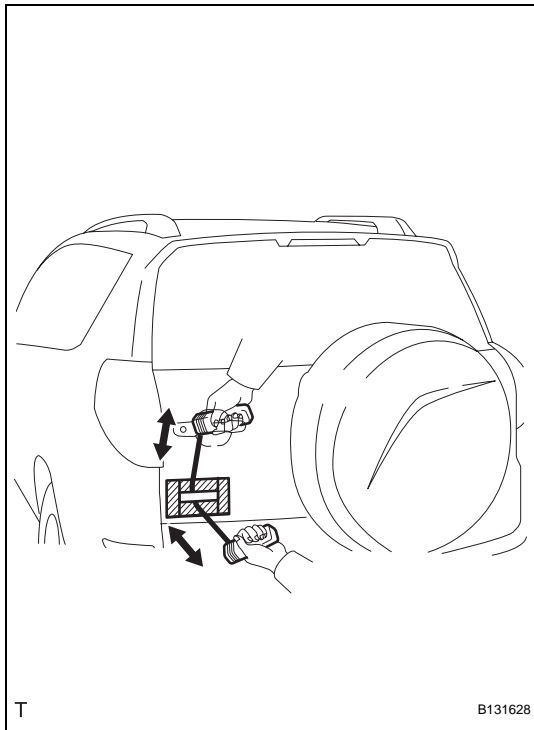
### NOTICE:

- If reusing the emblem, take care not to damage the emblem.
- Be careful not to damage the vehicle body.

**ET**

T

B131627

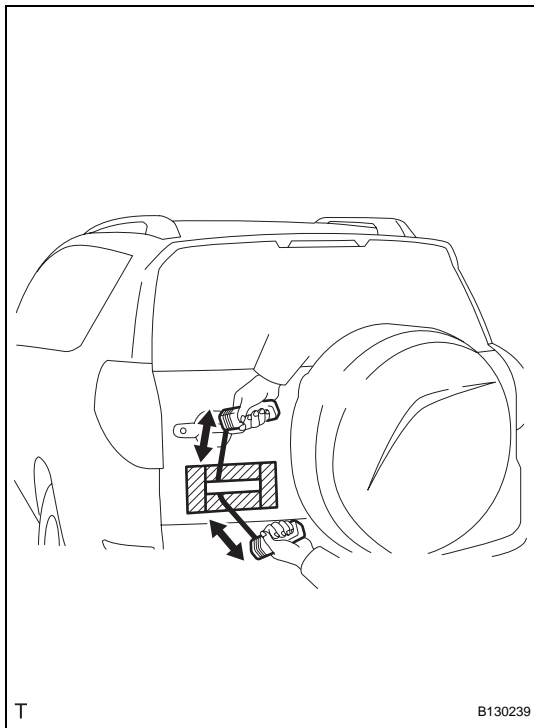


## 2. REMOVE BACK DOOR NAME PLATE

- (a) Put protective tape around the name plate.
- (b) Insert a piano wire between the vehicle body and name plate.
- (c) Tie objects that can serve as handles (for example, wooden blocks) to both wire ends.
- (d) Pull the piano wire and scrape off the double-sided tape that holds the name plate to the vehicle body.

### NOTICE:

- If reusing the name plate, take care not to damage the name plate.
- Be careful not to damage the vehicle body.

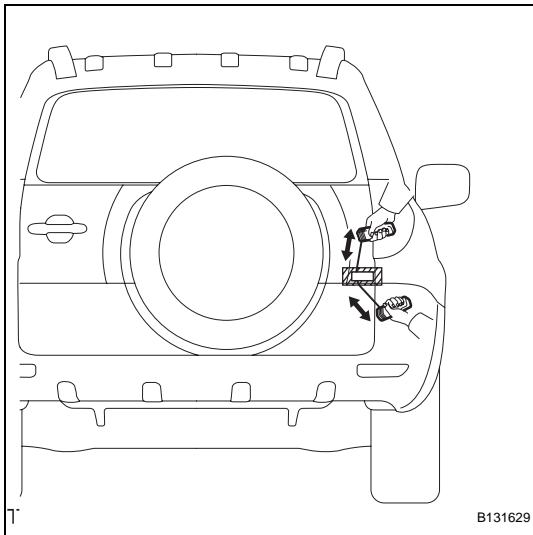


## 3. REMOVE NO. 1 BACK DOOR EMBLEM

- (a) Put protective tape around the emblem.
- (b) Insert a piano wire between the vehicle body and emblem.
- (c) Tie objects that can serve as handles (for example, wooden blocks) to both wire ends.
- (d) Pull the piano wire and scrape off the double-sided tape that holds the emblem to the vehicle body.

### NOTICE:

- If reusing the emblem, take care not to damage the emblem.
- Be careful not to damage the vehicle body.

**4. REMOVE NO. 4 BACK DOOR NAME PLATE (for 4WD)**

- (a) Put protective tape around the name plate.
- (b) Insert a piano wire between the vehicle body and name plate.
- (c) Tie objects that can serve as handles (for example, wooden blocks) to both wire ends.
- (d) Pull the piano wire and scrape off the double-sided tape that holds the name plate to the vehicle body.

**NOTICE:**

- If reusing the name plate, take care not to damage the name plate.
- Be careful not to damage the vehicle body.