

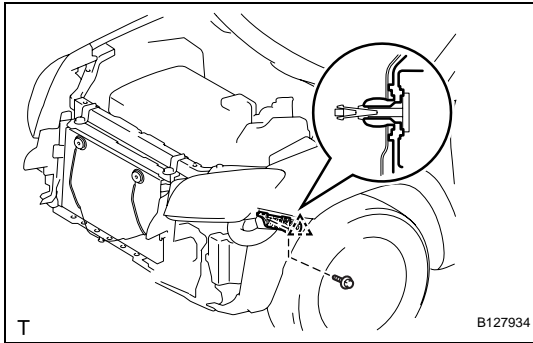
## INSTALLATION

### 1. INSTALL FRONT BUMPER SIDE RETAINER LH

(a) Install the clip and bumper side retainer.

(b) Install the bolt.

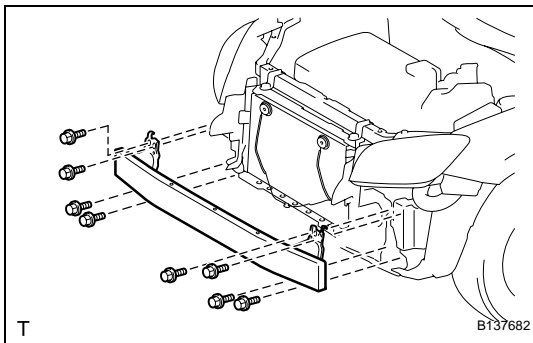
**Torque: 6.0 N\*m (61 kgf\*cm, 53 in.\*lbf)**



### 2. INSTALL FRONT BUMPER SIDE RETAINER RH

HINT:

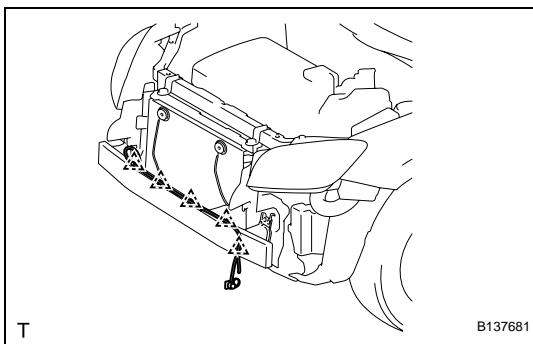
Use the same procedures described for the LH side.



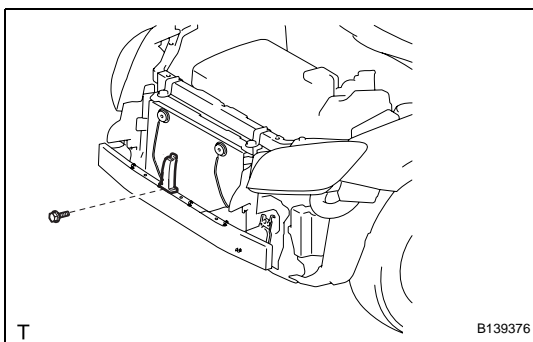
### 3. INSTALL FRONT BUMPER REINFORCEMENT

(a) Install the reinforcement with the 8 bolts.

**Torque: 70 N\*m (713 kgf\*cm, 51 ft.\*lbf)**

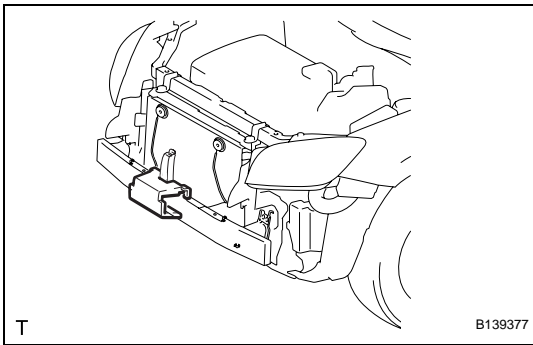


(b) Install the wire harness and attach the 5 claws.



### 4. INSTALL FRONT BUMPER RETAINER

(a) Install the bolt with the retainer.

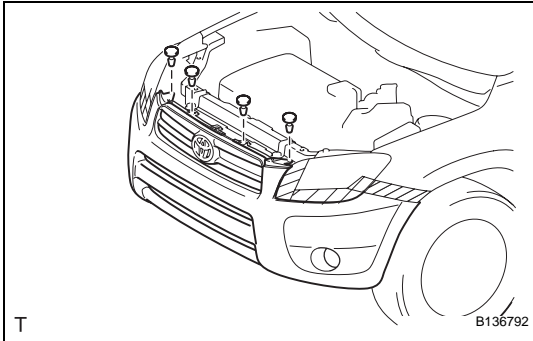


**5. INSTALL NO. 2 FRONT BUMPER ENERGY ABSORBER**

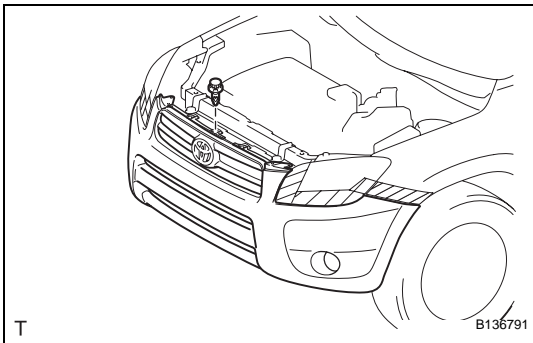
(a) Install the absorber.

**6. INSTALL FRONT BUMPER COVER**

(a) Put protective tape under the front fender and headlight.

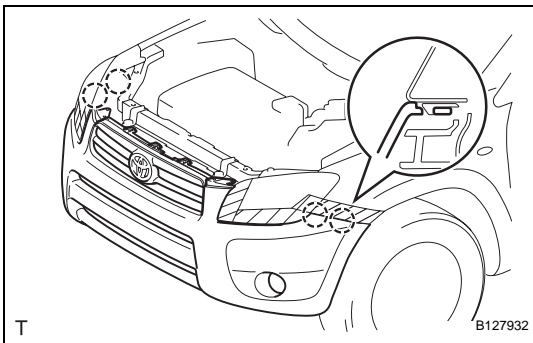


(b) Install the 4 clips.

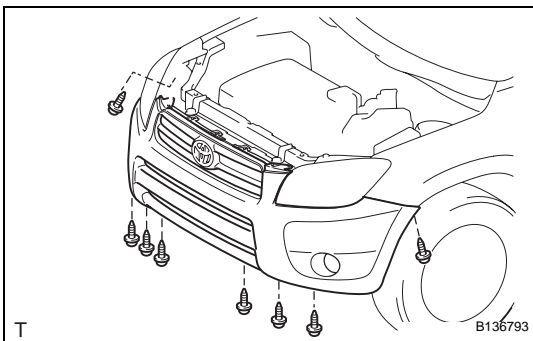


(c) Install the hood cushion center.

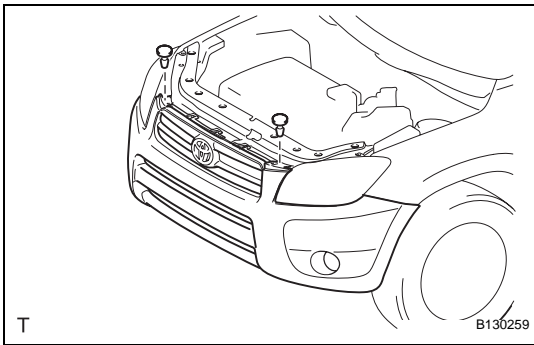
(d) w/ Fog Light:  
Connect the 2 fog light connectors.



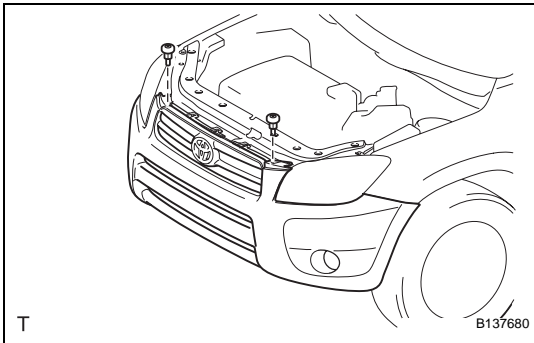
(e) Attach the 4 claws to install the bumper cover.



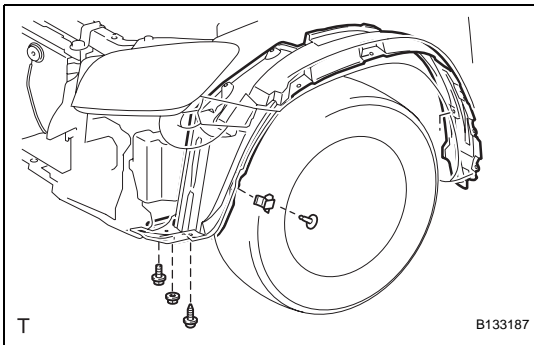
(f) Install the 8 screws.

**7. INSTALL RADIATOR SUPPORT OPENING COVER**

- (a) Install the 2 clips.

**8. INSTALL RADIATOR GRILLE PROTECTOR**

- (a) Install the 2 radiator grille protectors.

**9. INSTALL FRONT FENDER LINER LH**

- (a) Install the fender liner with the fender liner retainer.  
 (b) w/ Splash Shield:  
 Install the front fender splash shield LH.  
 (c) Install the screw, nut and bolt.

**10. INSTALL FRONT FENDER LINER RH**

- HINT:**  
 Use the same procedures described for the LH side.

**11. CONNECT CABLE TO NEGATIVE BATTERY TERMINAL**