

REMOVAL

1. **DISCONNECT CABLE FROM NEGATIVE BATTERY TERMINAL**

CAUTION:

Wait at least 90 seconds after disconnecting the cable from the negative (-) battery terminal to prevent airbag and seat belt pretensioner activation.

2. **REMOVE FRONT FENDER LINER LH**

(a) Using a screwdriver, remove the fender liner retainer.

(b) Remove the screw, nut and bolt.

(c) w/ Splash Shield:

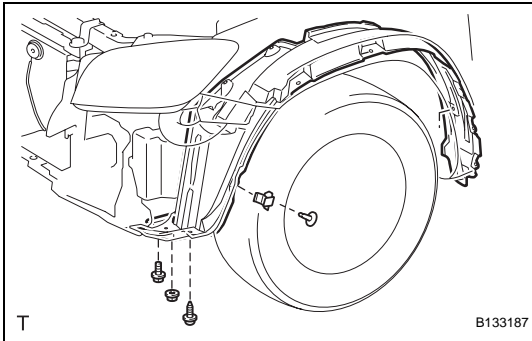
Remove the front fender splash shield LH.

(d) Partially remove the fender liner.

HINT:

It is not necessary to fully remove the fender liner.

Partially remove it so that the bumper cover can be removed later.



3. **REMOVE FRONT FENDER LINER RH**

HINT:

Use the same procedures described for the LH side.

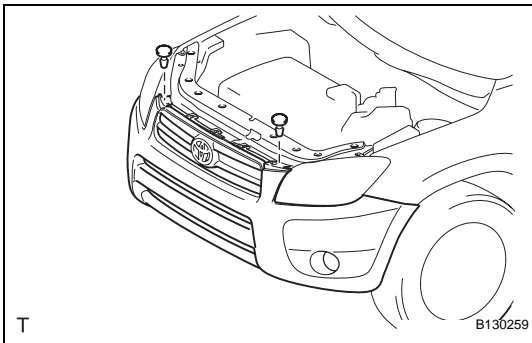
4. **REMOVE RADIATOR SUPPORT OPENING COVER**

(a) Remove the 2 clips.

(b) Partially remove the radiator support opening cover.

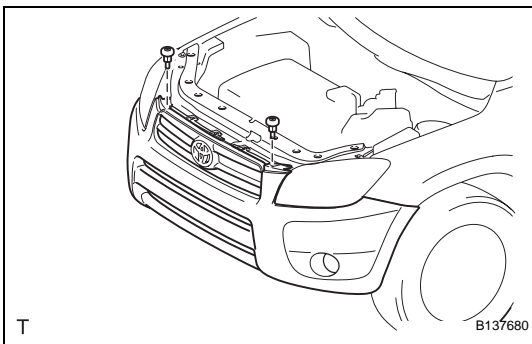
HINT:

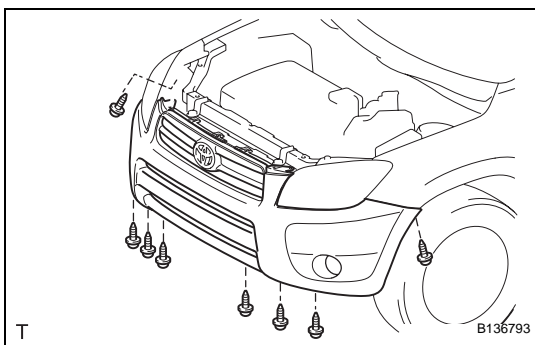
It is not necessary to fully remove the radiator support opening cover. Partially remove it so that the bumper cover can be removed later.



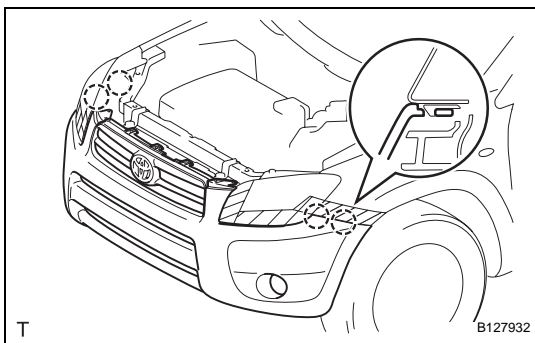
5. **REMOVE RADIATOR GRILLE PROTECTOR**

(a) Remove the 2 radiator grille protectors.



**6. REMOVE FRONT BUMPER COVER**

(a) Remove the 8 screws.



(b) Apply protective tape under the front fender and headlight.

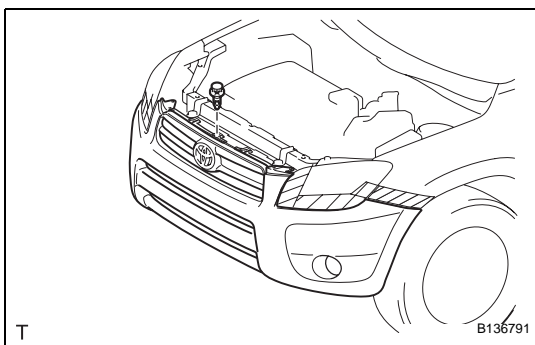
(c) Using a screwdriver, detach the 4 claws.

HINT:

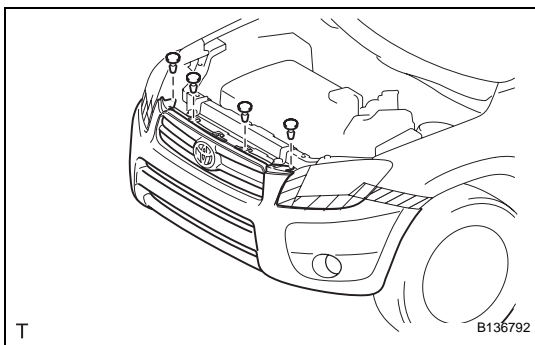
Tape the screwdriver tip before use.

(d) w/ Fog Light:

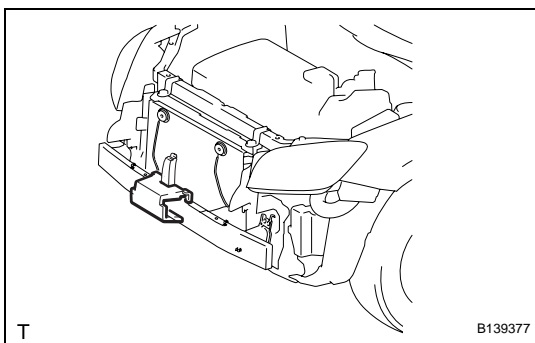
Disconnect the 2 fog light connectors.



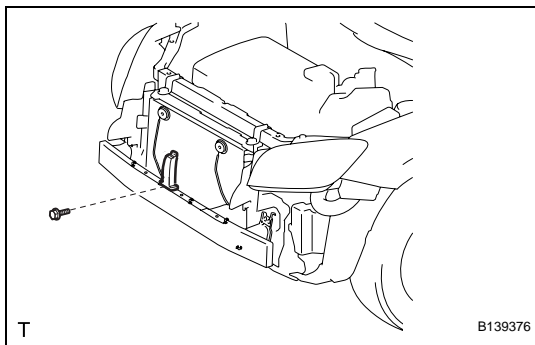
(e) Using a clip remover, remove the hood cushion center.



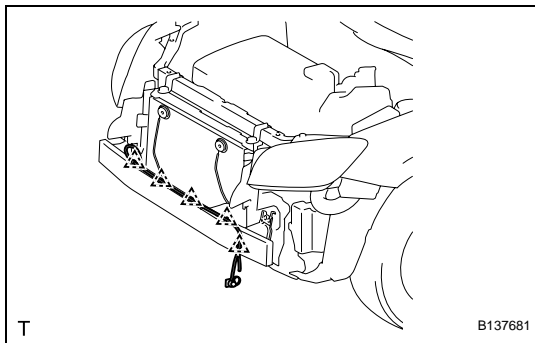
(f) Using a clip remover, remove the 4 clips and remove the front bumper cover.

**7. REMOVE NO. 2 FRONT BUMPER ENERGY ABSORBER**

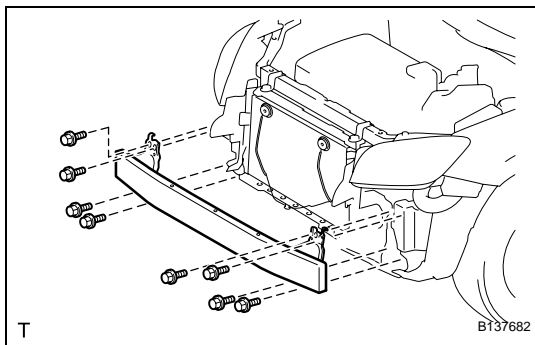
(a) Remove the absorber.

**8. REMOVE FRONT BUMPER RETAINER**

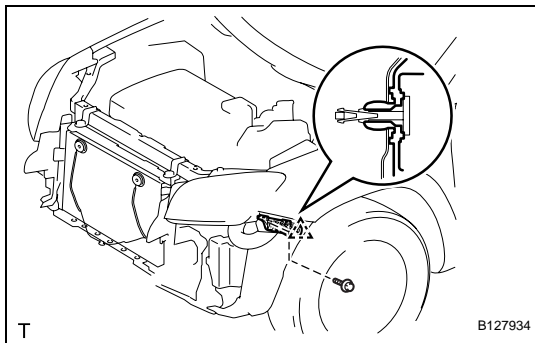
- (a) Remove the bolt and retainer.

**9. REMOVE FRONT BUMPER REINFORCEMENT SUB-ASSEMBLY**

- (a) Detach 5 clamps and remove the wire harness.



- (b) Remove the 8 bolts and reinforcement.

**10. REMOVE FRONT BUMPER SIDE RETAINER LH**

- (a) Remove the bolt.
 (b) Using a screwdriver, detach the clip and remove the bumper side retainer.

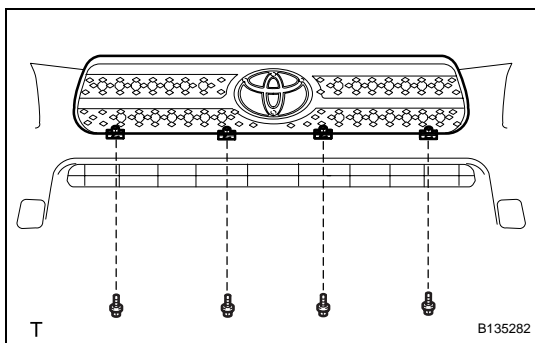
HINT:

Tape the screwdriver tip before use.

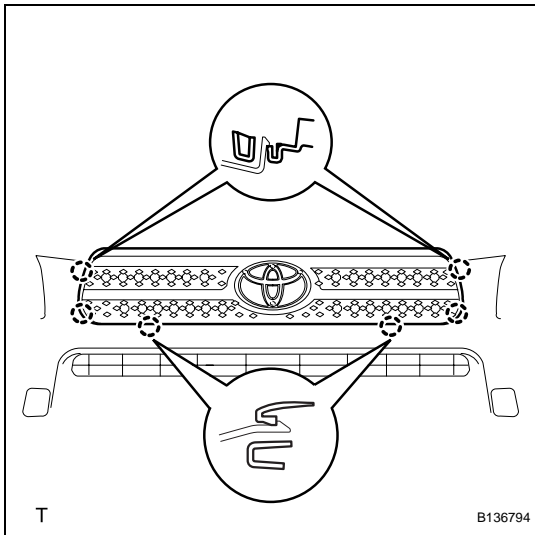
11. REMOVE FRONT BUMPER SIDE RETAINER RH

HINT:

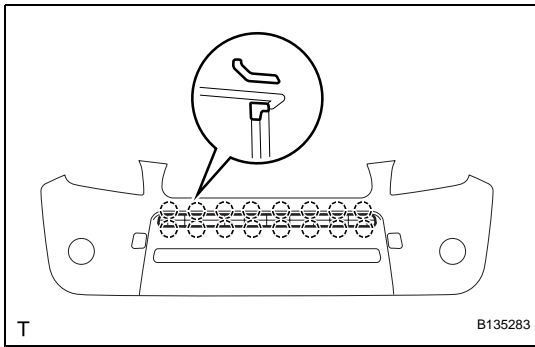
Use the same procedures described for the LH side.

**DISASSEMBLY****1. REMOVE RADIATOR GRILLE SUB-ASSEMBLY**

- (a) Remove the 4 bolts and 4 nuts.

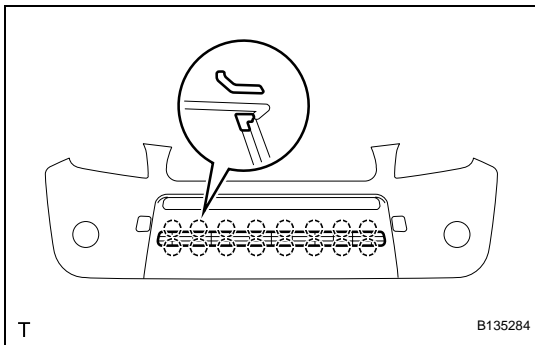


(b) Detach the 6 claws and remove the radiator grille.



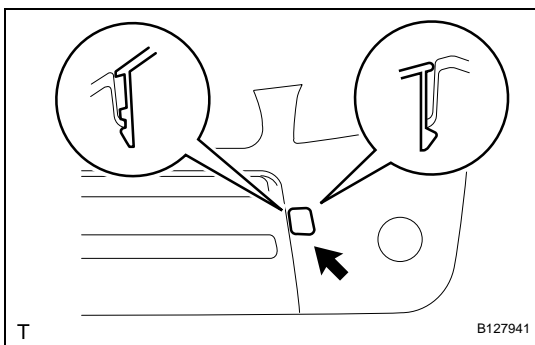
2. REMOVE NO. 1 RADIATOR GRILLE LOWER

(a) Detach the 18 claws and remove the radiator grille.



3. REMOVE NO. 2 RADIATOR GRILLE LOWER

(a) Detach the 16 claws and remove the radiator grille.



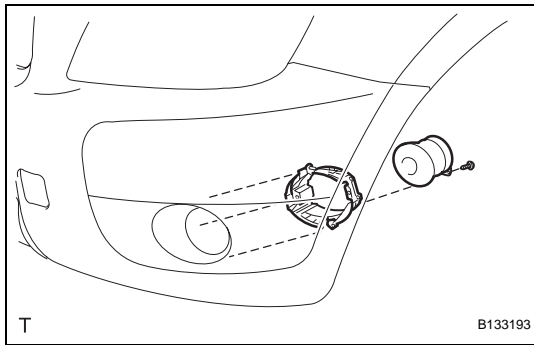
4. REMOVE FRONT BUMPER ARM HOLE COVER LH

(a) Detach the 2 claws and disconnect the arm hole cover.

(b) Remove the hook and bumper arm hole cover.

5. REMOVE FRONT BUMPER ARM HOLE COVER RH

(a) Use the same procedures described for the LH side.

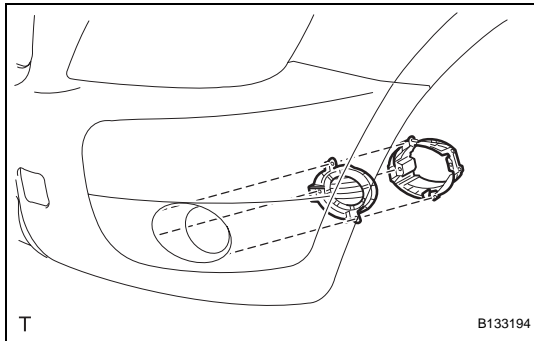
**6. REMOVE FOG LIGHT ASSEMBLY LH**

- (a) Remove the screw and fog light.
- (b) Remove the 3 bolts and fog light mounting bracket.

7. REMOVE FOG LIGHT ASSEMBLY RH

HINT:

Use the same procedures described for the LH side.

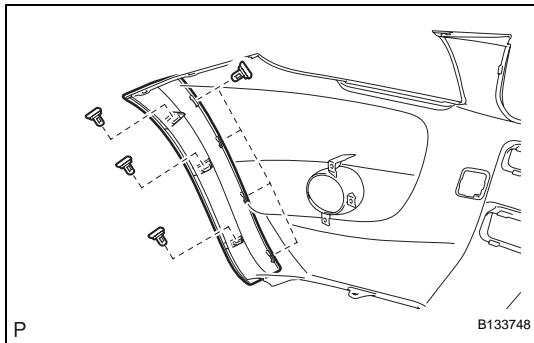
**8. REMOVE FRONT BUMPER HOLE COVER LH (w/o Fog Light)**

- (a) Remove the 3 bolts, bumper hole cover and fog light mounting bracket.

9. REMOVE FRONT BUMPER HOLE COVER RH (w/o Fog Light)

HINT:

Use the same procedures described for the LH side.

**10. REMOVE FRONT BUMPER EXTENSION LH (for Wide Body)**

- (a) Detach the 7 outside moulding retainers and remove the extension LH.

NOTICE:

- If reusing the extension, take care not to damage the extension.
- Be careful not to damage the vehicle body.

11. REMOVE FRONT BUMPER EXTENSION RH (for Wide Body)

HINT:

Use the same procedures described for the LH side.

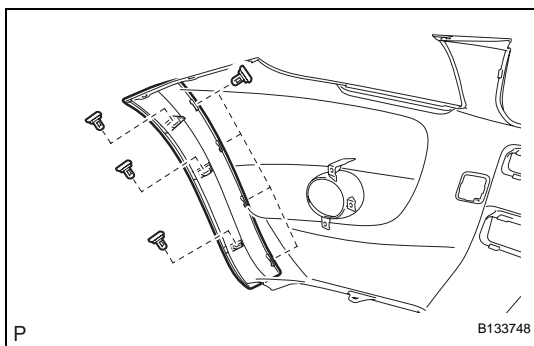
REASSEMBLY**1. INSTALL FRONT BUMPER EXTENSION LH (for Wide Body)**

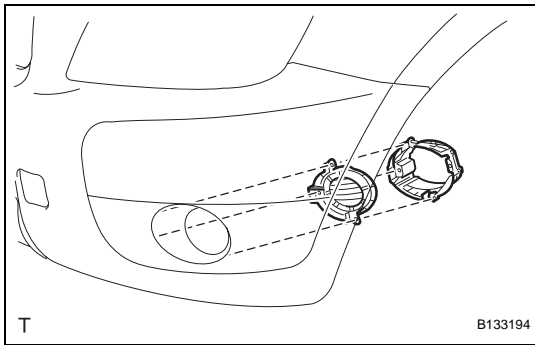
- (a) Attach the 7 outside moulding retainers to install the extension.

2. INSTALL FRONT BUMPER EXTENSION RH (for Wide Body)

HINT:

Use the same procedures described for the LH side.





3. INSTALL FRONT BUMPER HOLE COVER LH (w/o Fog Light)

(a) Install the bumper hole cover with the fog light mounting bracket and 3 bolts.

4. INSTALL FRONT BUMPER HOLE COVER RH (w/o Fog Light)

HINT:

Use the same procedures described for the LH side.

5. INSTALL FOG LIGHT ASSEMBLY LH

(a) Install the fog light mounting bracket with the 3 bolts.

(b) Install the fog light with the screw.

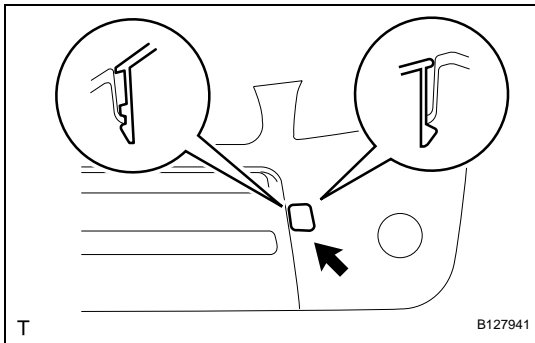
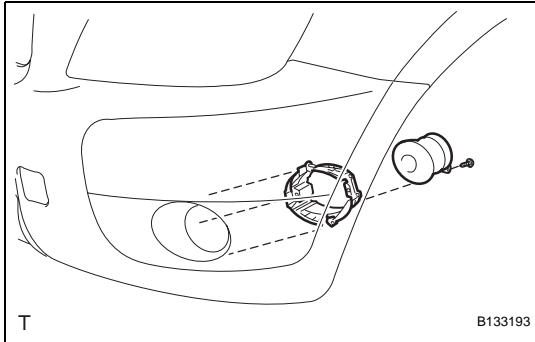
6. INSTALL FOG LIGHT ASSEMBLY RH

HINT:

Use the same procedures described for the LH side.

7. INSTALL FRONT BUMPER ARM HOLE COVER LH

(a) Install the hook.

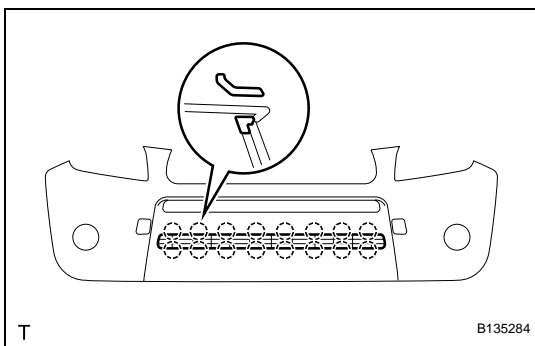


(b) Attach the 2 claws and install the hole cover.

8. INSTALL FRONT BUMPER ARM HOLE COVER RH

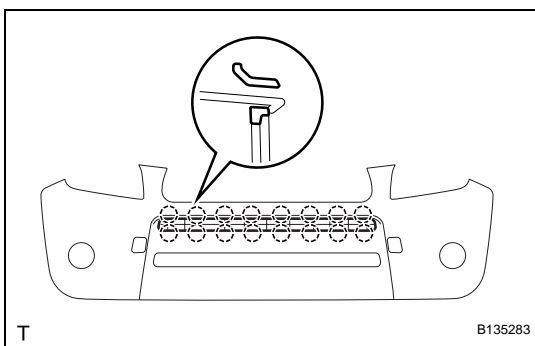
HINT:

Use the same procedures described for the LH side.



9. INSTALL NO. 2 RADIATOR GRILLE LOWER

(a) Install the radiator grille and attach the 16 claws.

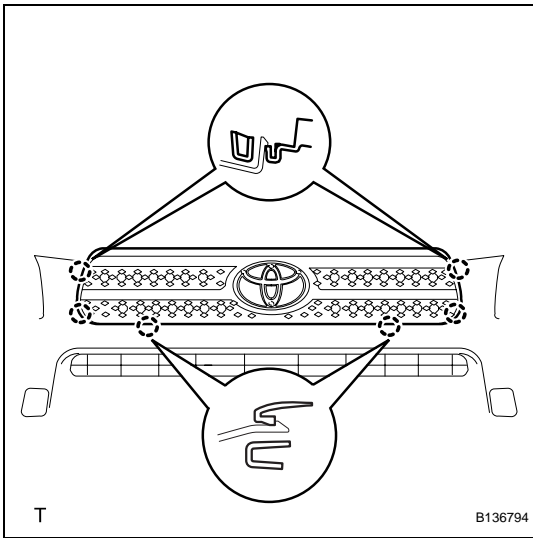


10. INSTALL NO. 1 RADIATOR GRILLE LOWER

(a) Install the radiator grille and attach the 18 claws.

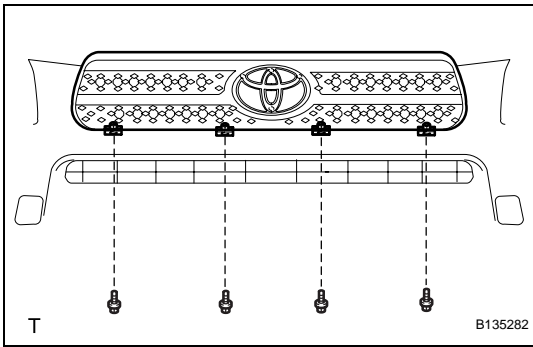


ET



11. INSTALL RADIATOR GRILLE SUB-ASSEMBLY

(a) Install the radiator grille with the 6 claws.



(b) Install the 4 bolts and 4 nuts.