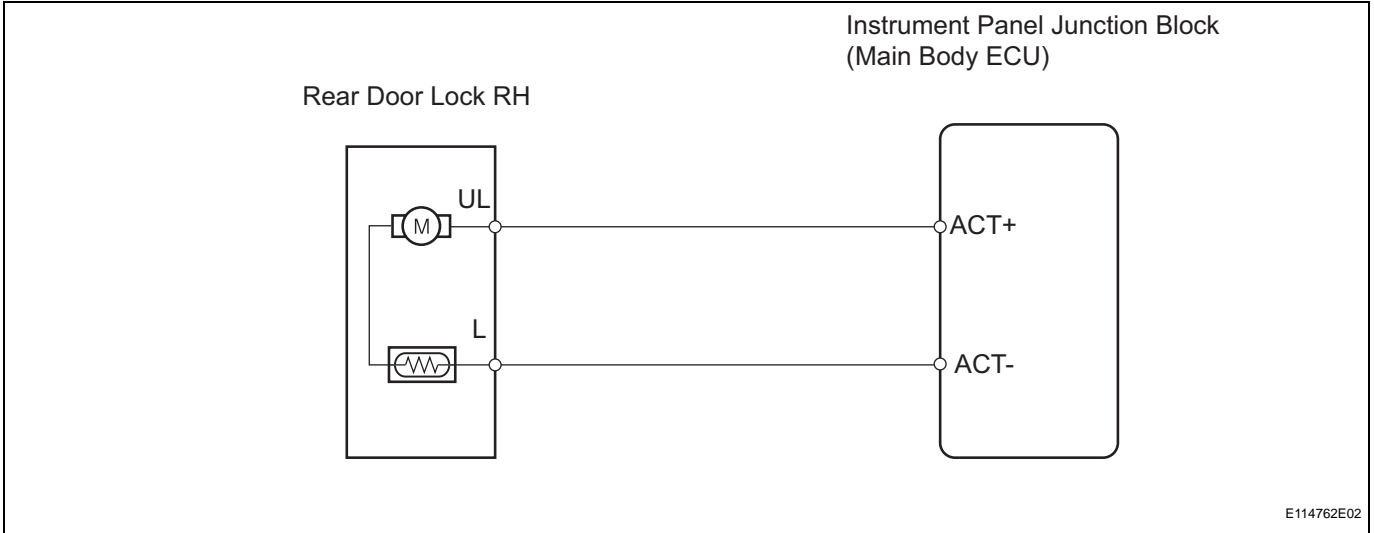


Only Rear Door RH LOCK / UNLOCK Functions do not Operate

DESCRIPTION

The main body ECU receives lock / unlock switch signals and activates the door lock motor accordingly.

WIRING DIAGRAM



INSPECTION PROCEDURE

1 INSPECT REAR DOOR WITH MOTOR LOCK ASSEMBLY RH

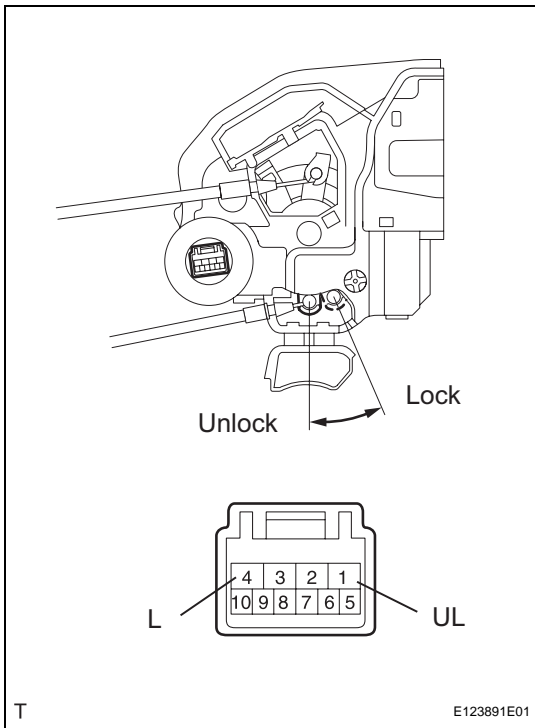
(a) Apply the battery voltage to the door lock motor and check the operation of the door lock motor.

OK

Measurement Condition	Specified Condition
Battery positive (+) → 4 (L) Battery negative (-) → 1 (UL)	Lock
Battery positive (+) → 1 (UL) Battery negative (-) → 4 (L)	Unlock

NG

REPLACE REAR DOOR WITH MOTOR LOCK ASSEMBLY RH

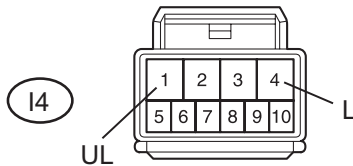
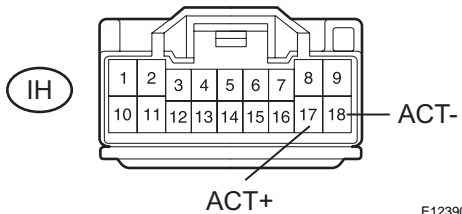


OK

2 CHECK WIRE HARNESS (DOOR LOCK - ECU)

Wire harness Side

Rear Door Lock RH

Instrument Panel Junction Block
(Main Body ECU)

E123903E05

- (a) Disconnect the I4 door lock connector.
- (b) Disconnect the IH junction block connector.
- (c) Measure the resistance of the wire harness side connectors.

Standard resistance

Tester Connection	Specified Condition
I4-1 (UL) - IH-18 (ACT-)	Below 1 Ω
I4-4 (L) - IH-17 (ACT+)	Below 1 Ω

NG**REPAIR OR REPLACE HARNESS AND
CONNECTOR (MAIN BODY ECU)****OK****REPLACE INSTRUMENT PANEL JUNCTION BLOCK (MAIN BODY ECU)**