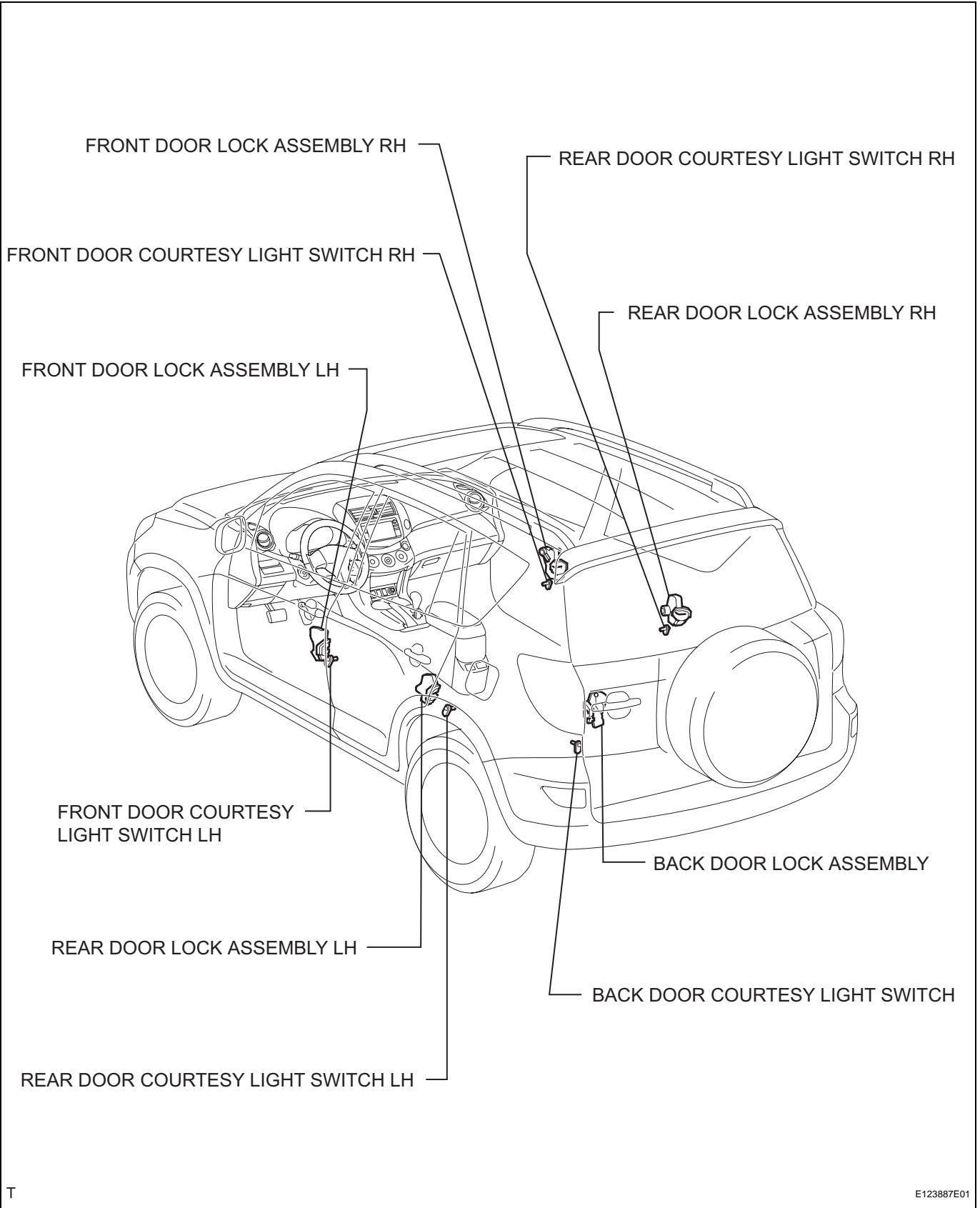
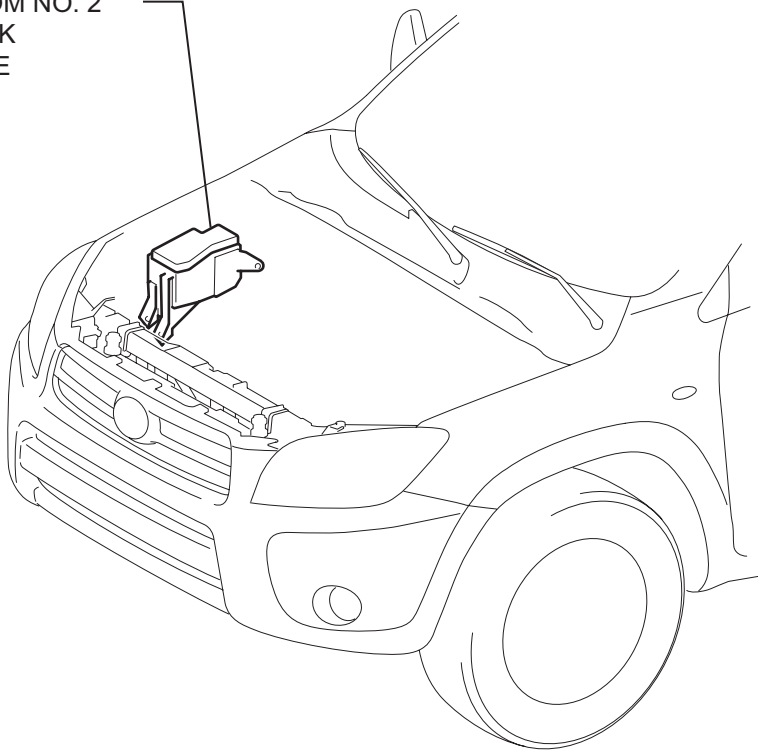


# POWER DOOR LOCK CONTROL SYSTEM

## PARTS LOCATION



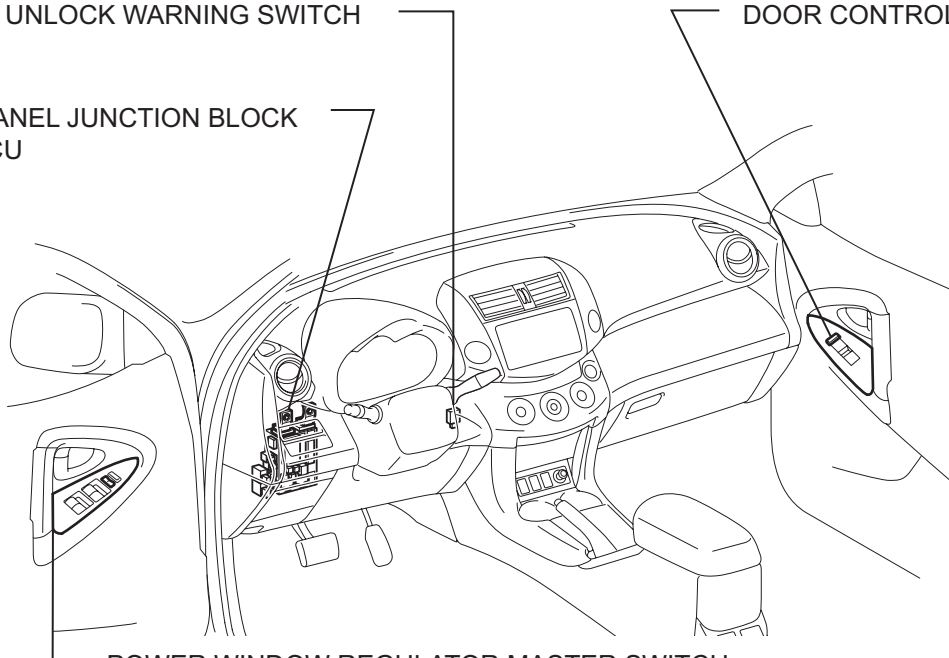
ENGINE ROOM NO. 2  
RELAY BLOCK  
- ECU-B FUSE



UNLOCK WARNING SWITCH

DOOR CONTROL SWITCH

INSTRUMENT PANEL JUNCTION BLOCK  
- MAIN BODY ECU



POWER WINDOW REGULATOR MASTER SWITCH  
- DOOR CONTROL SWITCH

DL