

FRONT DOOR LOCK

INSPECTION

1. INSPECT FRONT DOOR WITH MOTOR LOCK ASSEMBLY LH

- (a) Apply the battery voltage to the motor terminals and check the operation of the door lock motor.

OK

Measurement Condition	Specified Condition
Battery positive (+) → 4 (L) Battery negative (-) → 1 (UL)	Lock
Battery positive (+) → 1 (UL) Battery negative (-) → 4 (L)	Unlock

If the result is not as specified, replace the door lock assembly.

- (b) Measure the resistance of the door lock position switch.

Standard resistance

Tester Connection	Switch Condition	Specified Condition
8 (LSSR) - 7 (E)	Lock	10 kΩ or higher
8 (LSSR) - 7 (E)	Unlock	Below 1 Ω

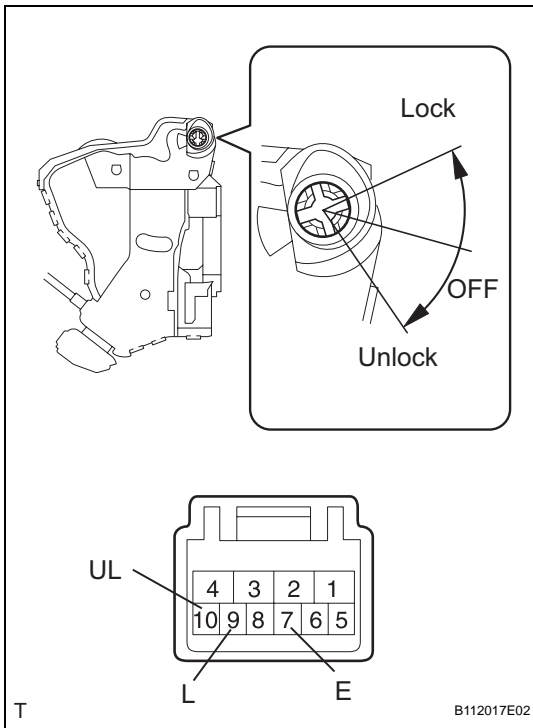
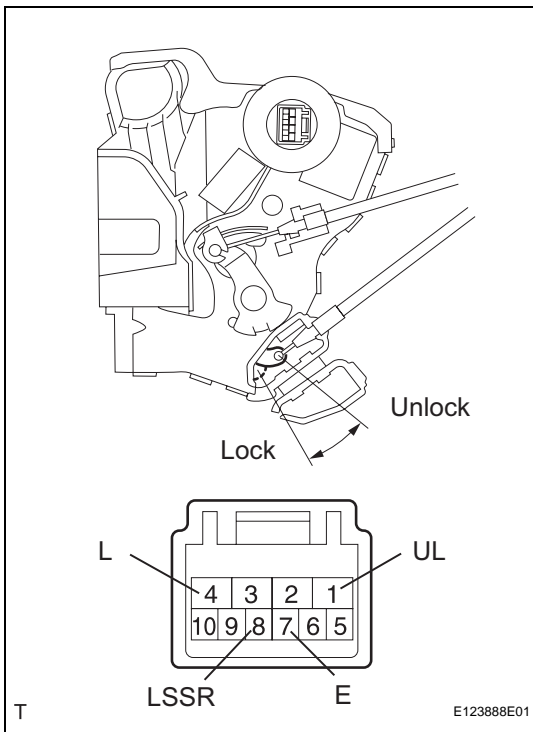
If the result is not as specified, replace the door lock assembly.

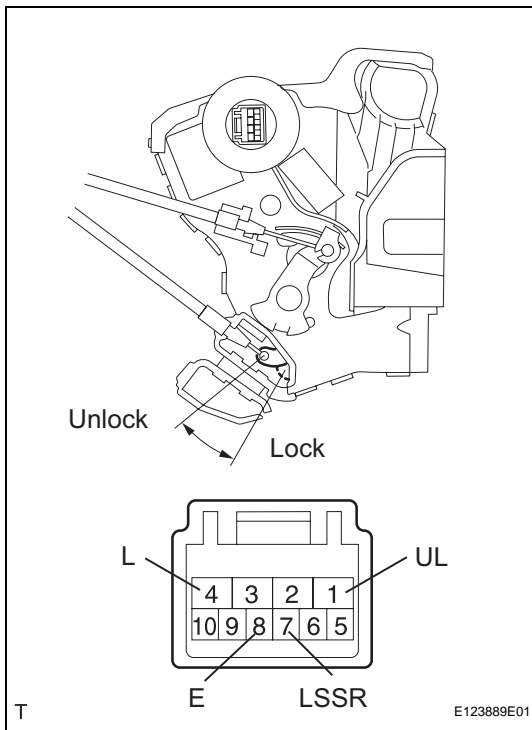
- (c) Measure the resistance of the door key lock and unlock switch operation.

Standard resistance

Tester Connection	Switch Condition	Specified Condition
9 (L) - 7 (E)	Lock	Below 1 Ω
9 (L) - 7 (E)	OFF	10 kΩ or higher
10 (UL) - 7 (E)	Unlock	Below 1 Ω
10 (UL) - 7 (E)	OFF	10 kΩ or higher

If the result is not as specified, replace the door lock assembly.





2. INSPECT FRONT DOOR WITH MOTOR LOCK ASSEMBLY RH

- (a) Apply the battery voltage to the door lock motor and check that the operation of the door lock motor.

OK

Measurement Condition	Specified Condition
Battery positive (+) → 4 (L) Battery negative (-) → 1 (UL)	Lock
Battery positive (+) → 1 (UL) Battery negative (-) → 4 (L)	Unlock

If the result is not as specified, replace the door lock assembly.

- (b) Measure the resistance of the door lock position switch.

Standard resistance

Tester Connection	Switch Condition	Specified Condition
7 (LSSR) - 8 (E)	Lock	10 k Ω or higher
7 (LSSR) - 8 (E)	Unlock	Below 1 Ω

If the result is not as specified, replace the door lock assembly.