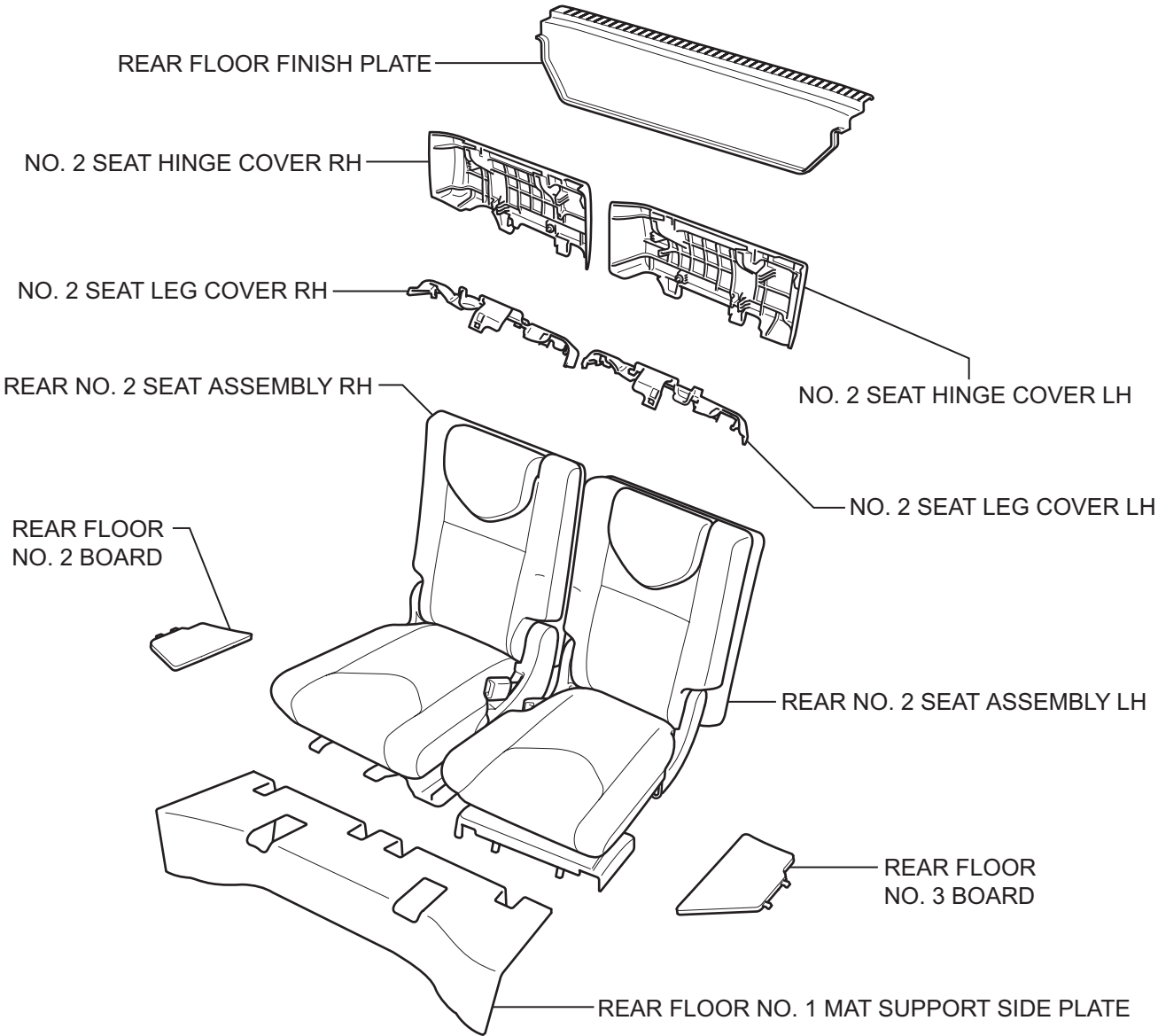


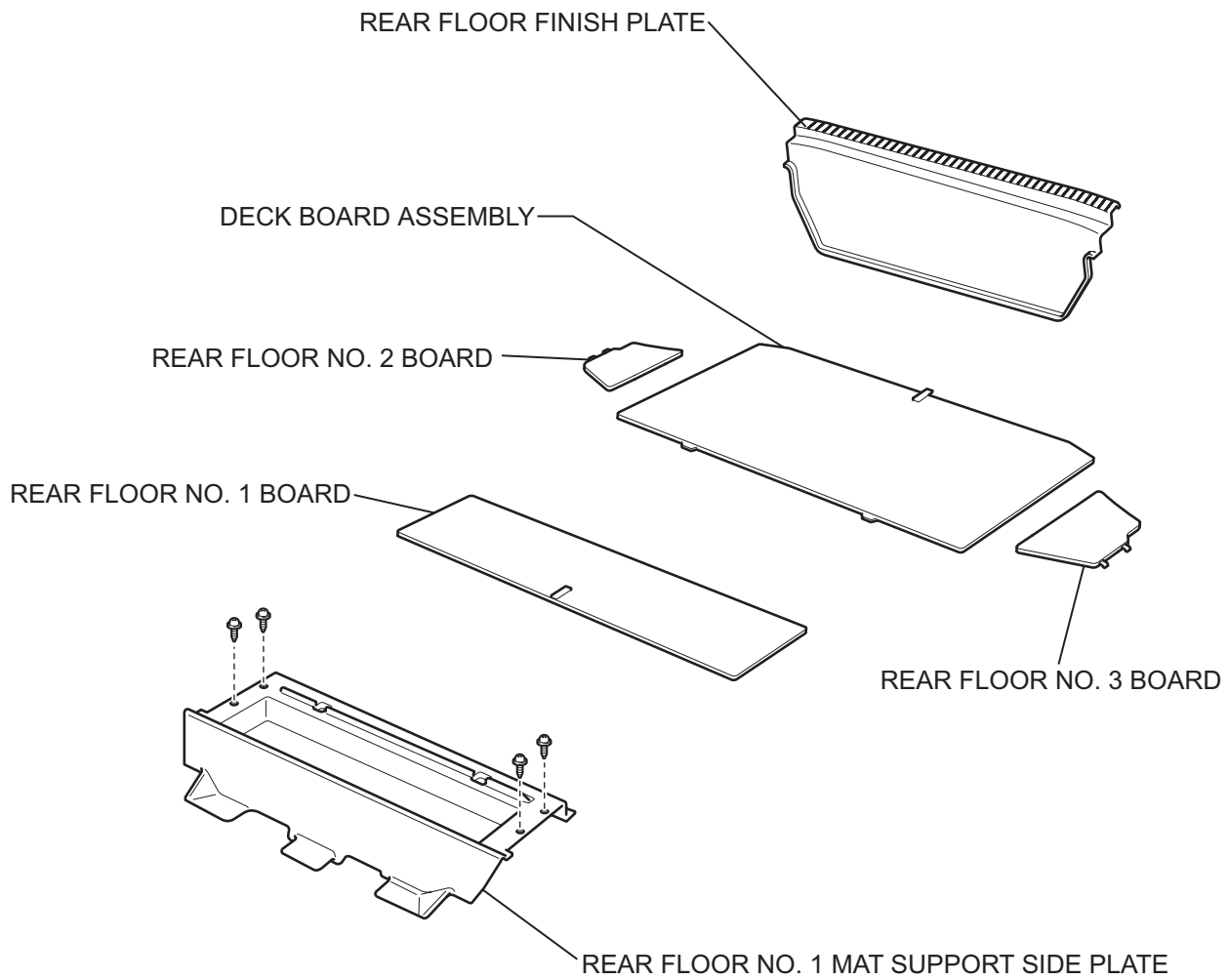
DOOR CONTROL RECEIVER COMPONENTS

w/ Rear No. 2 Seat



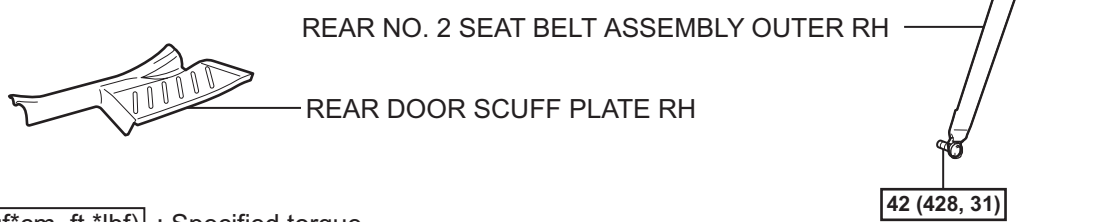
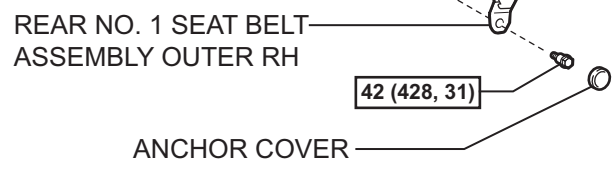
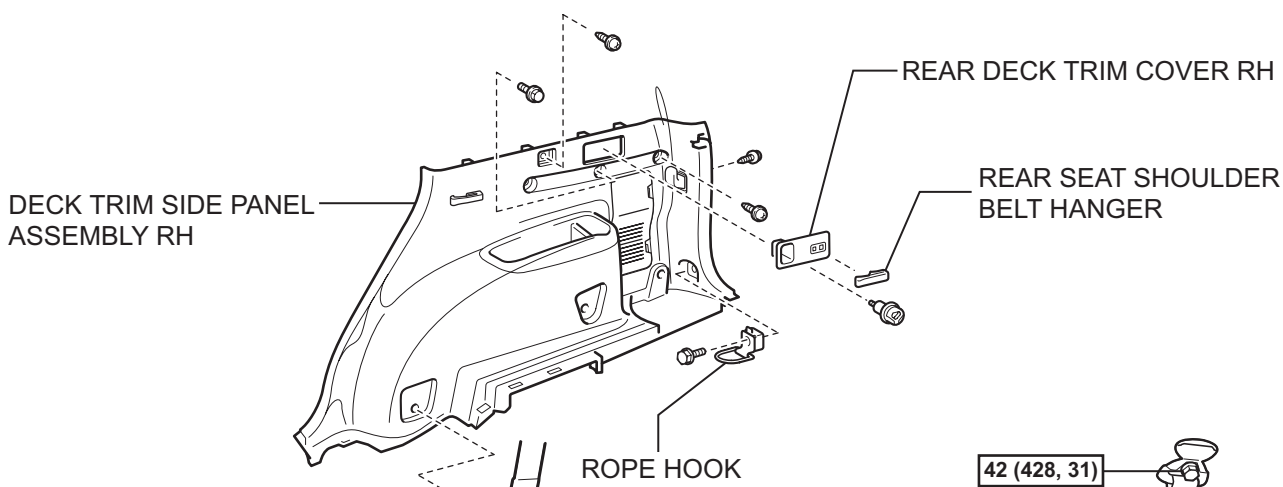
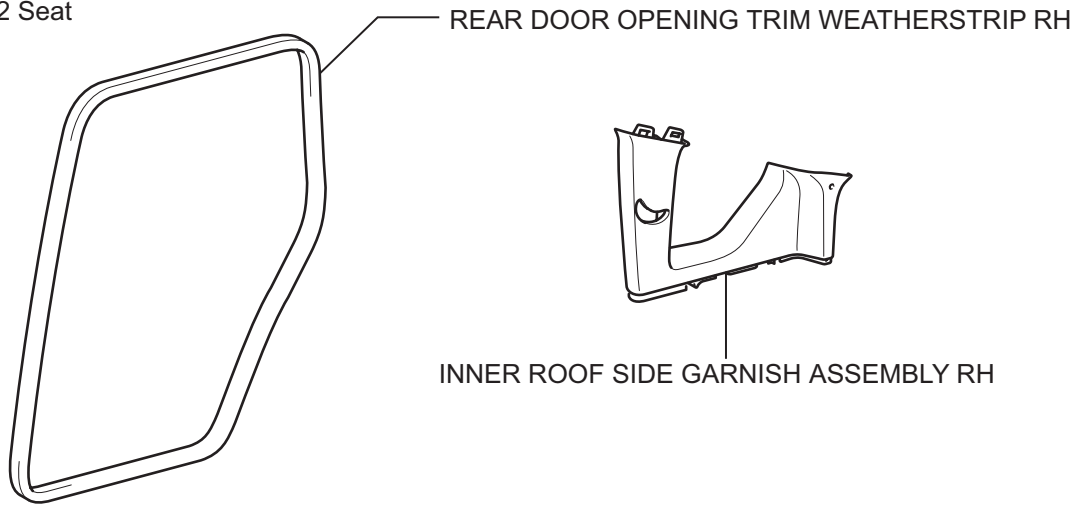
DL

w/o Rear No. 2 Seat



DL

w/ Rear No. 2 Seat

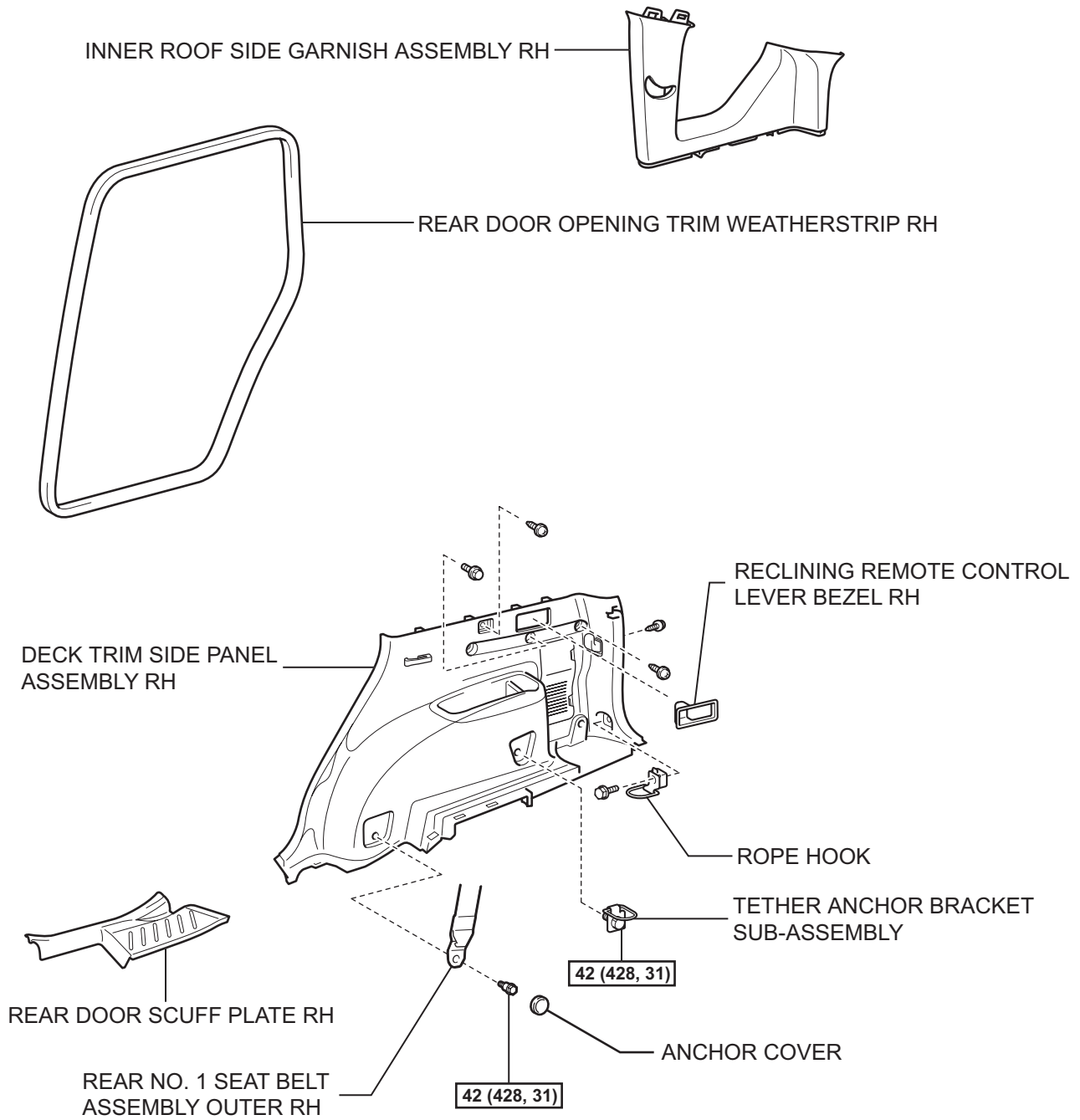


$N*m$ (kgf*cm, ft.*lbf) : Specified torque

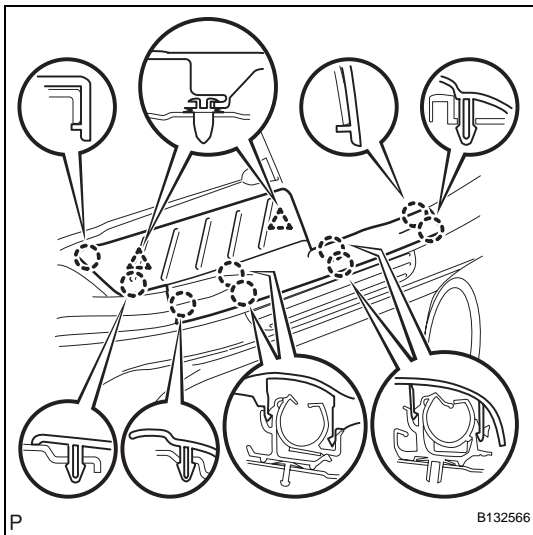
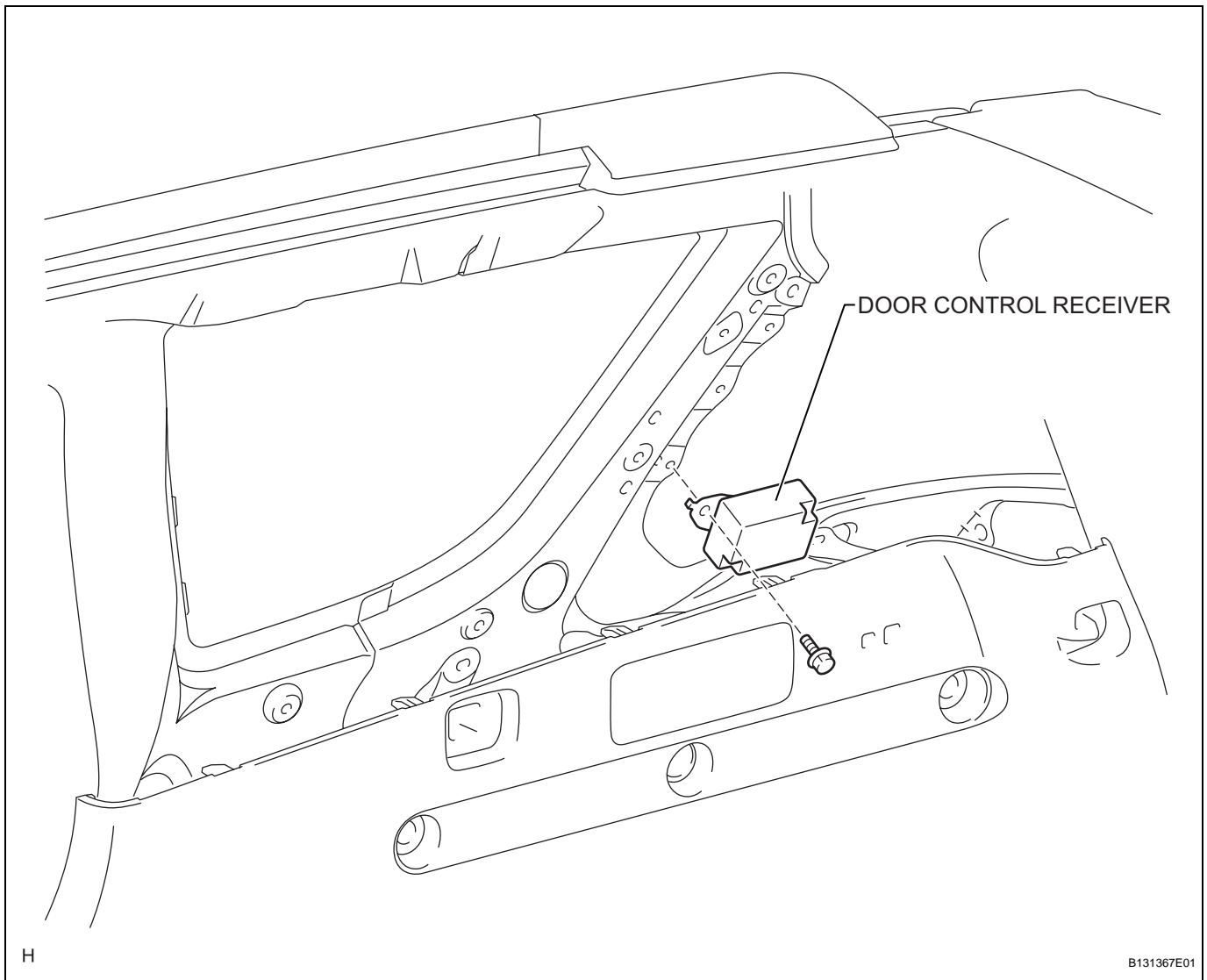
DL

T

w/o Rear No. 2 Seat



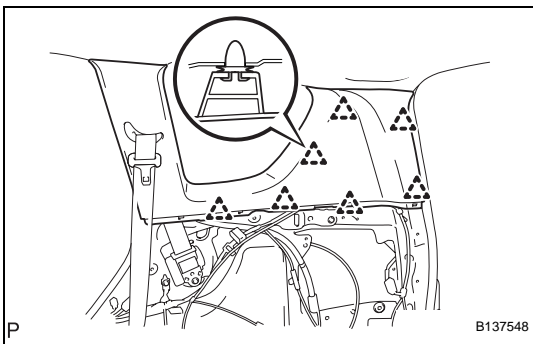
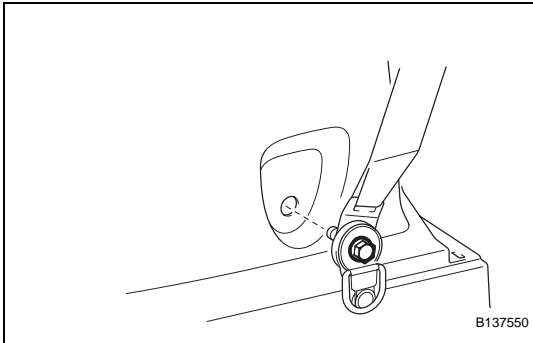
$\boxed{\text{N*m (kgf*cm, ft.*lbf)}}$: Specified torque

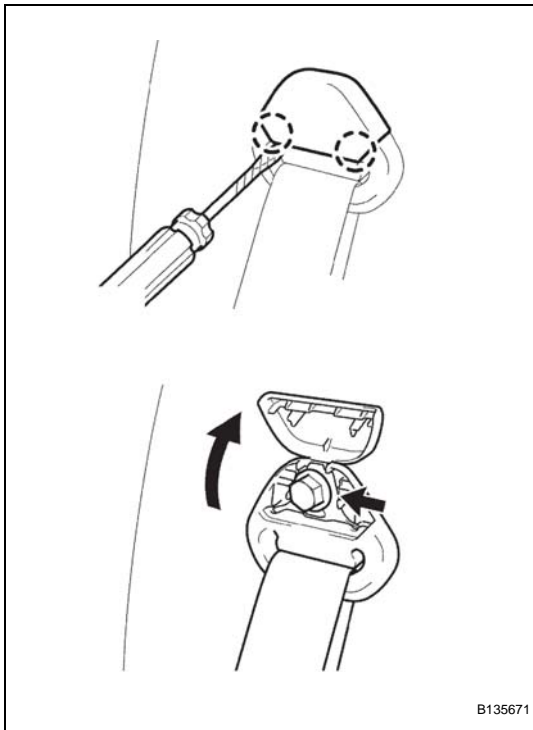


REMOVAL

1. **REMOVE REAR DOOR SCUFF PLATE RH**
 - (a) Using a screwdriver, detach the 9 claws.
HINT:
Tape the screwdriver tip before use.
 - (b) Using a clip remover, detach the 2 clips and remove the garnish.
2. **REMOVE REAR DOOR OPENING TRIM WEATHERSTRIP RH**
3. **REMOVE REAR FLOOR NO. 1 BOARD (w/o Rear No. 2 Seat)**
4. **REMOVE DECK BOARD ASSEMBLY (w/o Rear No. 2 Seat)**
5. **REMOVE NO. 2 SEAT HINGE COVER LH (w/ Rear No. 2 Seat) (See page [SE-109](#))**
6. **REMOVE NO. 2 SEAT HINGE COVER RH (w/ Rear No. 2 Seat)**
HINT:
Use the same procedures described for the LH side.

7. REMOVE NO. 2 SEAT LEG COVER LH (w/ Rear No. 2 Seat) (See page [SE-109](#))
8. REMOVE NO. 2 SEAT LEG COVER RH (w/ Rear No. 2 Seat)
HINT:
Use the same procedures described for the LH side.
9. REMOVE REAR NO. 2 SEAT ASSEMBLY LH (w/ Rear No. 2 Seat) (See page [SE-110](#))
10. REMOVE REAR NO. 2 SEAT ASSEMBLY RH (w/ Rear No. 2 Seat)
11. REMOVE REAR FLOOR NO. 3 BOARD
12. REMOVE REAR FLOOR NO. 2 BOARD
13. REMOVE REAR FLOOR NO. 1 MAT SUPPORT SIDE PLATE (See page [IR-31](#))
14. REMOVE REAR FLOOR FINISH PLATE (See page [IR-31](#))
15. REMOVE REAR DECK TRIM COVER RH (w/ Rear No. 2 Seat)
 - (a) Remove the bolt.
 - (b) Using a screwdriver, detach the 4 claws and remove the trim cover.
HINT:
Tape the screwdriver tip before use.
16. REMOVE RECLINING REMOTE CONTROL LEVER BEZEL RH (w/o Rear No. 2 Seat) (See page [SE-80](#))
17. REMOVE TETHER ANCHOR BRACKET SUB-ASSEMBLY (w/o Rear No. 2 Seat)
 - (a) Remove the bolt and tether anchor bracket.
18. REMOVE DECK TRIM SIDE PANEL ASSEMBLY RH (w/o Rear No. 2 Seat) (See page [IR-33](#))
19. REMOVE DECK TRIM SIDE PANEL ASSEMBLY RH (w/ Rear No. 2 Seat) (See page [IR-34](#))
20. REMOVE INNER ROOF SIDE GARNISH ASSEMBLY RH (w/o Rear No. 2 Seat)
 - (a) Using a clip remover, detach the 7 clips and remove the garnish.

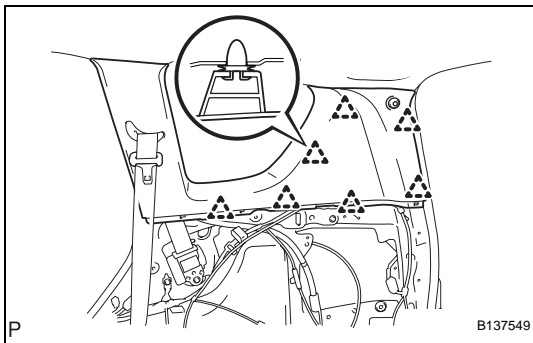




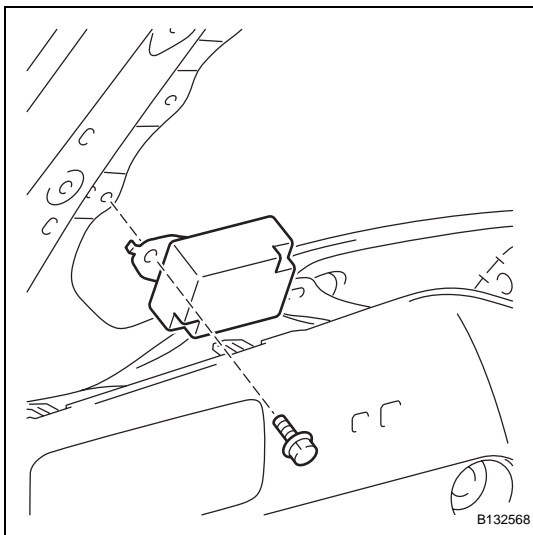
21. REMOVE INNER ROOF SIDE GARNISH ASSEMBLY RH (w/ Rear No. 2 Seat)

- (a) Disconnect the rear No. 2 seat outer belt's shoulder anchor.
 - (1) Using a screwdriver, detach the 2 claws and open the seat belt anchor cover.

HINT:
Tape the screwdriver tip before use.
 - (2) Remove the bolt and disconnect the shoulder anchor.



- (b) Using a clip remover, detach the 7 clips and remove the garnish.



22. REMOVE DOOR CONTROL RECEIVER

- (a) Disconnect the receiver connector.
- (b) Remove the bolt and receiver.