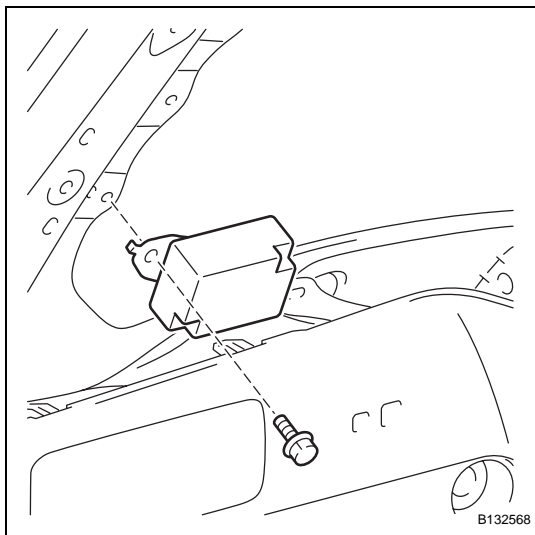


## INSTALLATION

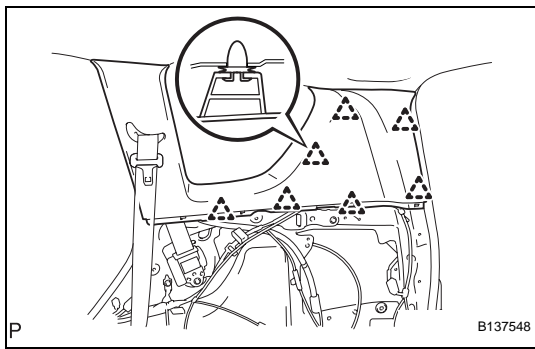
### 1. INSTALL DOOR CONTROL RECEIVER

- (a) Install the receiver with the bolt.
- (b) Connect the receiver connector.



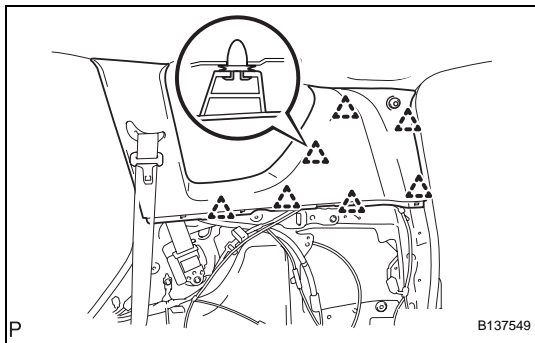
### 2. INSTALL INNER ROOF SIDE GARNISH ASSEMBLY RH (w/o Rear No. 2 Seat)

- (a) Attach the 7 clips to install the garnish.



### 3. INSTALL INNER ROOF SIDE GARNISH ASSEMBLY RH (w/ Rear No. 2 Seat)

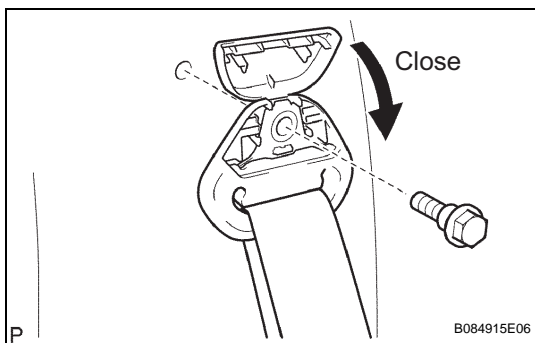
- (a) Attach the 7 slips to install the garnish.
- (b) Connect the rear No. 2 seat belt's shoulder anchor.
  - (1) Connect the shoulder anchor with the bolt.  
**Torque: 42 N\*m (428 kgf\*cm, 31 ft.\*lbf)**

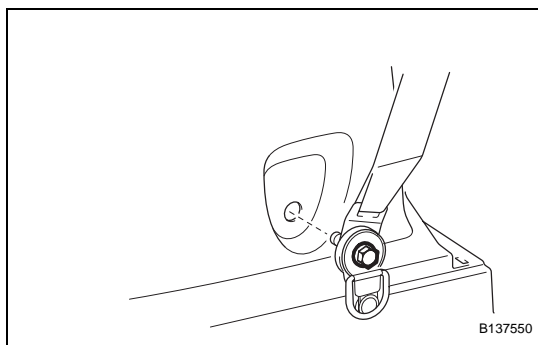


- (2) Attach the claws to close the seat belt anchor cover.

### 4. INSTALL DECK TRIM SIDE PANEL ASSEMBLY RH (w/o Rear No. Seat) (See page [IR-53](#))

### 5. INSTALL DECK TRIM SIDE PANEL ASSEMBLY RH (w/ Rear No. 2 Seat) (See page [IR-54](#))



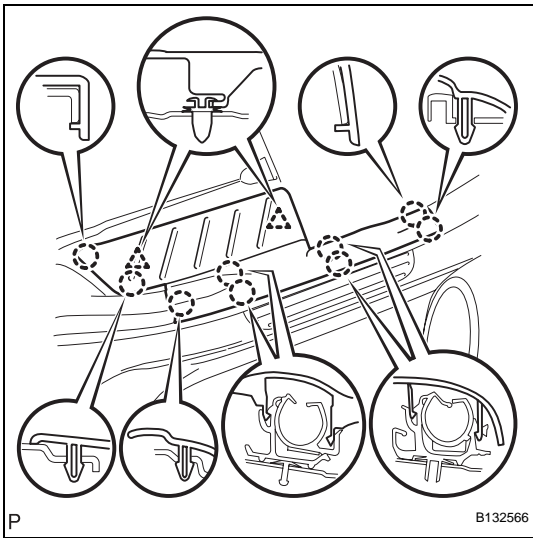


6. **INSTALL TETHER ANCHOR BRACKET SUB-ASSEMBLY (w/o Rear No. 2 Seat)**
  - (a) Install the tether anchor bracket with the bolt.
7. **INSTALL RECLINING REMOTE CONTROL LEVER BEZEL RH (w/o Rear No. 2 Seat) (See page [SE-105](#))**
8. **INSTALL REAR DECK TRIM COVER RH (w/ Rear No. 2 Seat)**
  - (a) Attach the 4 claws to install the trim cover.
  - (b) Install the belt.
9. **INSTALL REAR FLOOR FINISH PLATE (See page [IR-55](#))**
10. **INSTALL REAR FLOOR NO. 1 MAT SUPPORT SIDE PLATE (See page [IR-55](#))**
11. **INSTALL REAR FLOOR NO. 3 BOARD**
12. **INSTALL REAR FLOOR NO. 2 BOARD**
13. **INSTALL REAR NO. 2 SEAT ASSEMBLY LH (w/ Rear No. 2 Seat) (See page [SE-121](#))**
14. **INSTALL REAR NO. 2 SEAT ASSEMBLY RH (w/ Rear No. 2 Seat)**

HINT:  
Use the same procedures described for the LH side.
15. **INSTALL NO. 2 SEAT LEG COVER LH (w/ Rear No. 2 Seat) (See page [SE-123](#))**
16. **INSTALL NO. 2 SEAT LEG COVER RH (w/ Rear No. 2 Seat)**

HINT:  
Use the same procedures described for the LH side.
17. **INSTALL NO. 2 SEAT HINGE COVER LH (w/ Rear No. 2 Seat) (See page [SE-123](#))**
18. **INSTALL NO. 2 SEAT HINGE COVER RH (w/ Rear No. 2 Seat)**

HINT:  
Use the same procedures described for the LH side.
19. **INSTALL DECK BOARD ASSEMBLY (w/o Rear No. 2 Seat)**
20. **INSTALL REAR FLOOR NO. 1 BOARD (w/o Rear No. 2 Seat)**
21. **INSTALL REAR DOOR OPENING TRIM WEATHERSTRIP RH**



**22. INSTALL REAR DOOR SCUFF PLATE RH**

- (a) Attach the 9 claws and 2 clips to install the scuff plate.