

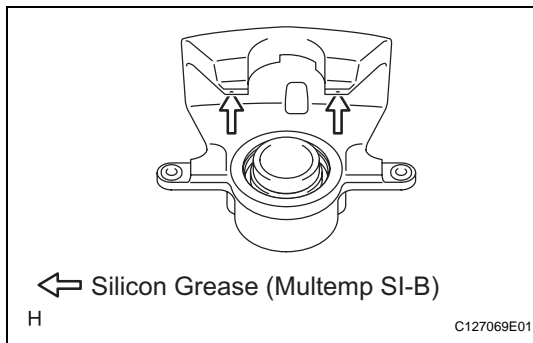
## INSTALLATION

### HINT:

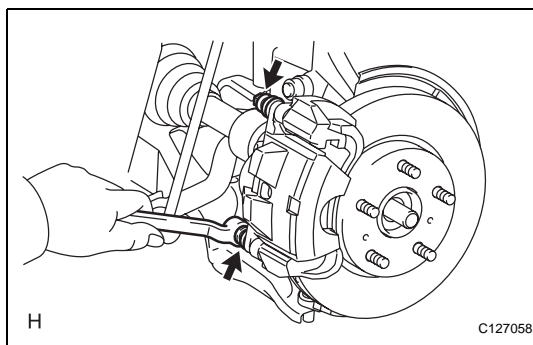
- Use the same procedures for the LH side and RH side.
- The procedures listed below are for the LH side.

### 1. INSTALL DISC BRAKE CYLINDER ASSEMBLY LH

- (a) Apply silicon grease (Multemp SI-B) on the contact surfaces of the cylinder parts indicated by the arrows.



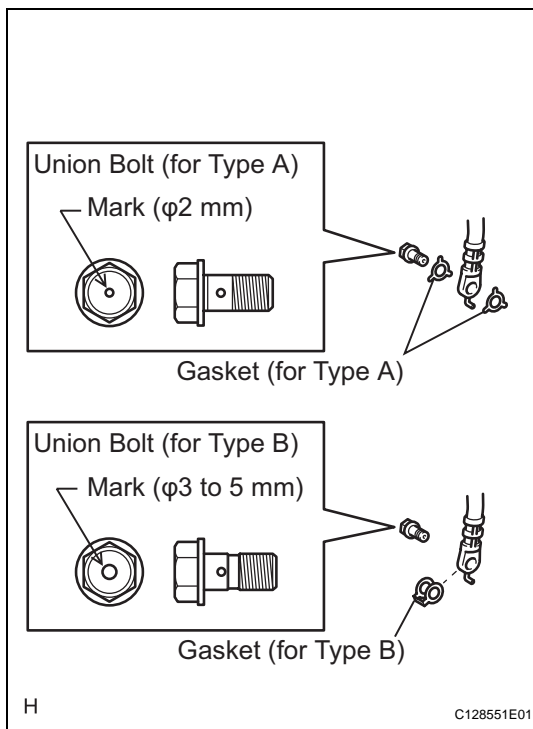
- (b) Install the cylinder with the 2 bolts.  
**Torque: 34.3 N\*m (350 kgf\*cm, 25 ft.\*lbf)**

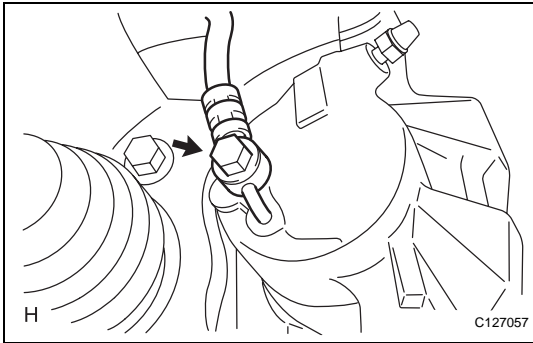


### 2. CONNECT FRONT FLEXIBLE HOSE

#### NOTICE:

The gasket and union bolt must be used as a set, as shown in the illustration.





- (a) Connect the flexible hose with new gasket(s) and the union bolt.

**Torque: 29.4 N\*m (300 kgf\*cm, 22 ft.\*lbf)**

HINT:

Install the flexible hose lock securely in the lock hole in the cylinder.

3. **FILL RESERVOIR WITH BRAKE FLUID (See page BR-6)**
4. **BLEED AIR FROM BRAKE MASTER CYLINDER (See page BR-7)**
5. **BLEED AIR FROM BRAKE LINE (See page BR-7)**
6. **BLEED AIR FROM ABS AND TRACTION ACTUATOR ASSEMBLY (See page BR-8)**
7. **CHECK BRAKE FLUID LEVEL IN RESERVOIR (See page BR-6)**
8. **CHECK FOR BRAKE FLUID LEAKAGE**
9. **INSTALL FRONT WHEEL**  
**Torque: 103 N\*m (1,050 kgf\*cm, 76 ft.\*lbf)**