

REMOVAL

HINT:

- Use the same procedures for the LH side and RH side.
- The procedures listed below are for the LH side.

1. REMOVE FRONT WHEEL

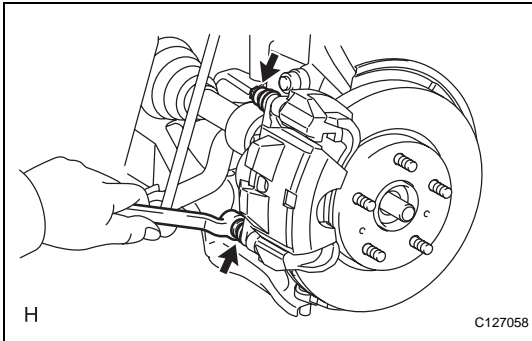
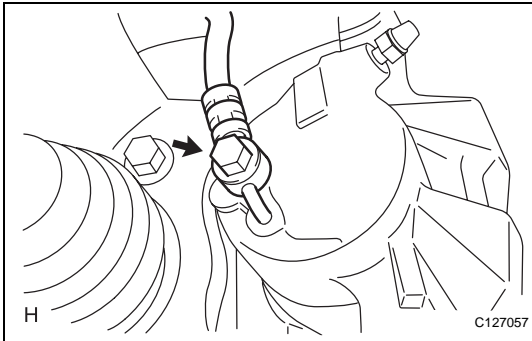
2. DRAIN BRAKE FLUID

NOTICE:

Wash off brake fluid immediately if it comes in contact with any painted surface.

3. DISCONNECT FRONT FLEXIBLE HOSE

- (a) Remove the union bolt and gasket(s).
- (b) Disconnect the flexible hose from the brake cylinder.



4. REMOVE DISC BRAKE CYLINDER ASSEMBLY LH

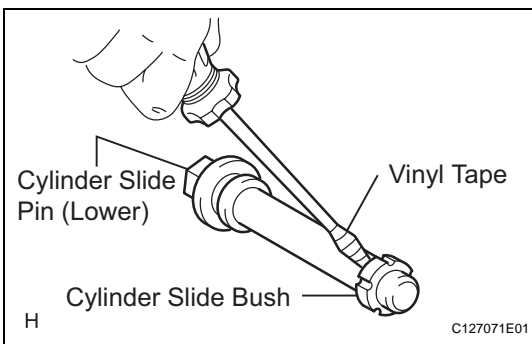
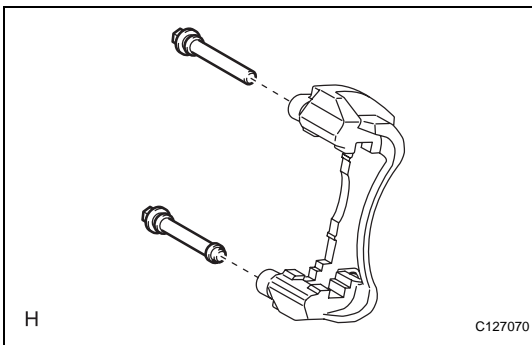
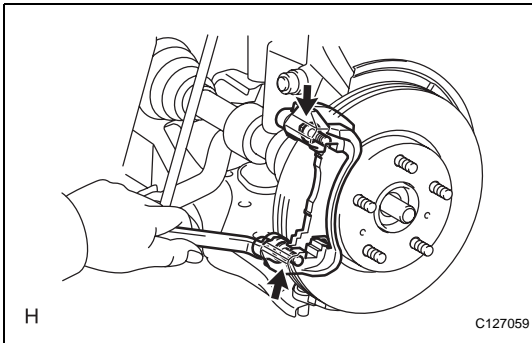
- (a) Remove the 2 bolts and cylinder.

DISASSEMBLY

HINT:

- Use the same procedures for the LH side and RH side.
- The procedures listed below are for the LH side.

- 1. REMOVE FRONT DISC BRAKE PAD**
(a) Remove the 2 disc brake pads.
- 2. REMOVE ANTI-SQUEAL SHIM KIT FRONT**
(a) Remove the shims from each pad.
- 3. REMOVE NO. 1 PAD WEAR INDICATOR PLATE**
(a) Remove the indicator plates from each pad.
- 4. REMOVE FRONT DISC BRAKE PAD SUPPORT PLATE**
(a) Remove the 4 plates from the brake cylinder mounting.
- 5. REMOVE FRONT DISC BRAKE CYLINDER MOUNTING LH**
(a) Remove the 2 bolts and cylinder mounting.



- 6. REMOVE FRONT DISC BRAKE CYLINDER SLIDE PIN**
(a) Remove the 2 pins (upper and lower) from the mounting.

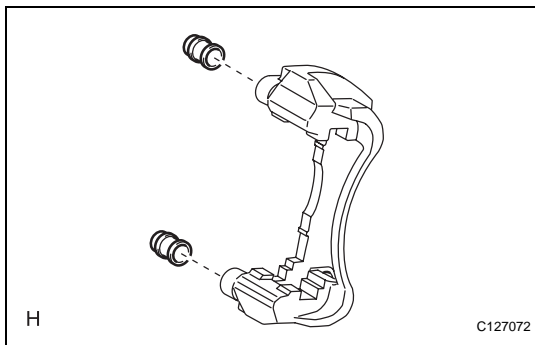
- (b) Using a screwdriver, remove the slide bush from the pin (lower).

NOTICE:

Be careful not to damage the pin.

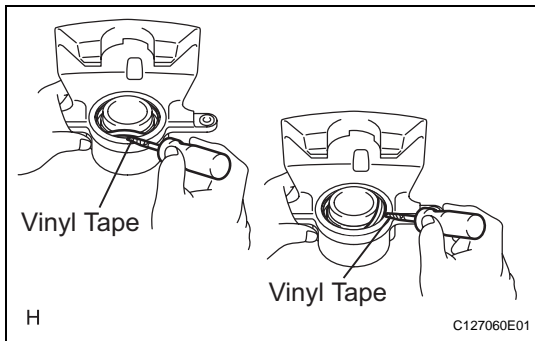
HINT:

Tape the screwdriver tip before use.



7. REMOVE FRONT DISC BRAKE BUSH DUST BOOT

- (a) Remove the 2 boots from the mounting.



8. REMOVE CYLINDER BOOT

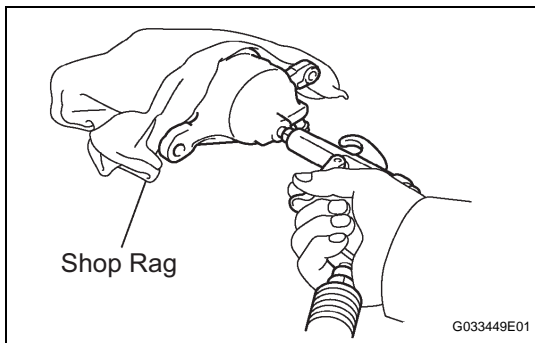
- (a) Using a screwdriver, pry out the set ring and boot.

NOTICE:

Be careful not to damage the brake piston and cylinder.

HINT:

Tape the screwdriver tip before use.



9. REMOVE FRONT DISC BRAKE PISTON

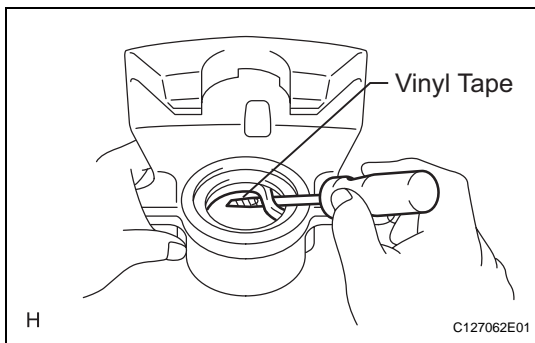
- (a) Place a shop rag or piece of cloth between the piston and disc brake cylinder.
- (b) Apply compressed air to remove the piston from the disc brake cylinder.

CAUTION:

Do not place your fingers in front of the piston when applying compressed air.

NOTICE:

Be careful not to spatter the brake fluid.



10. REMOVE PISTON SEAL

- (a) Using a screwdriver, pry out the seal from the cylinder.

NOTICE:

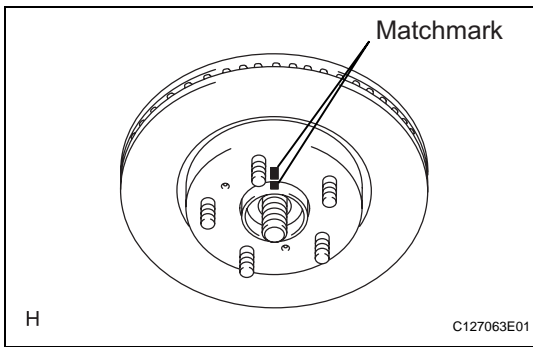
Be careful not to damage the inner cylinder and piston seal groove.

HINT:

Tape the screwdriver tip before use.

11. REMOVE FRONT DISC BRAKE BLEEDER PLUG

- (a) Remove the bleeder plug cap and bleeder plug from the cylinder.

**12. REMOVE FRONT DISC**

- (a) Put matchmarks on the disc and axle hub.
- (b) Remove the disc.