

DISASSEMBLY

1. **REMOVE ABS AND TRACTION ACTUATOR ASSEMBLY**
 - (a) Remove the 2 nuts and actuator from the bracket.
2. **REMOVE BRAKE ACTUATOR BOLT HOLDER**
 - (a) Remove the 2 bolt holders from the actuator.
3. **REMOVE BRAKE ACTUATOR BOLT CUSHION**
 - (a) Remove the 3 cushions from the actuator.

REASSEMBLY

1. INSTALL BRAKE ACTUATOR BOLT CUSHION

- (a) Install the 3 cushions to the actuator.

2. INSTALL BRAKE ACTUATOR BOLT HOLDER

- (a) Install the 2 bolt holders to the actuator.

3. INSTALL ABS AND TRACTION ACTUATOR ASSEMBLY

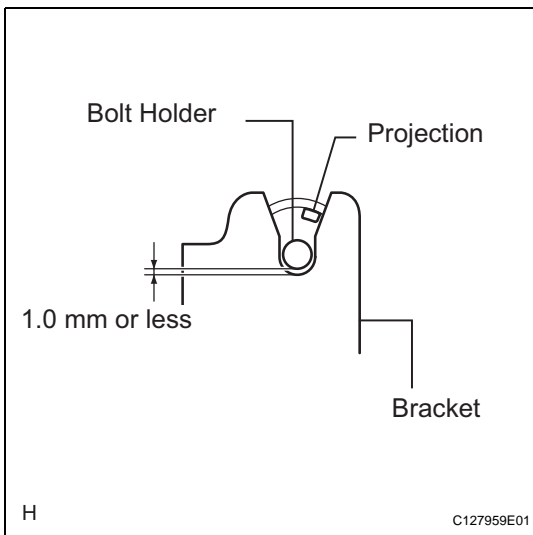
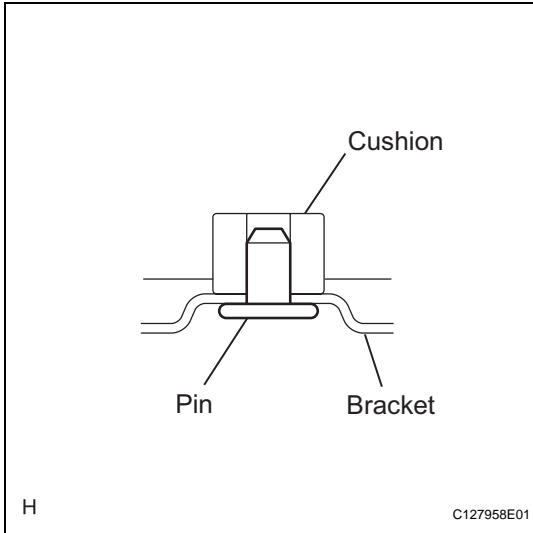
NOTICE:

Do not remove the hole plug before connecting the brake tube. New actuators are filled with brake fluid.

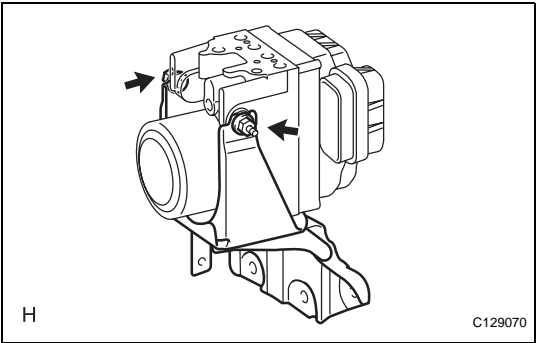
- (a) Set the actuator on the bracket.

NOTICE:

- Insert the cushion to the pin of the bracket securely.



- The clearance between the bolt holder and bracket is less than 1.0 mm (0.039 in.).
- The projection should be set as shown in the illustration.



- (b) Install the 2 nuts to assemble the actuator and bracket.
Torque: 5.4 N*m (55 kgf*cm, 48 in.*lbf)