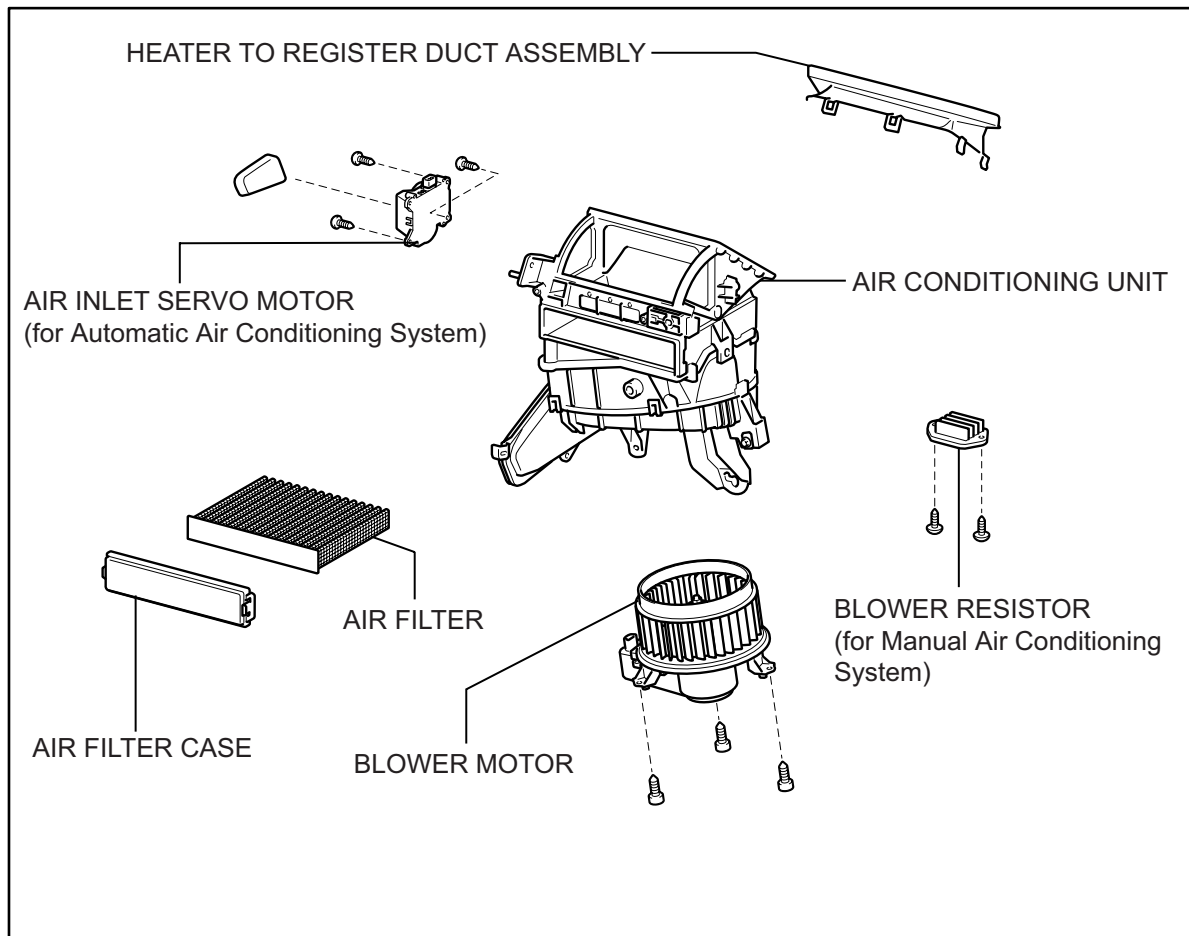
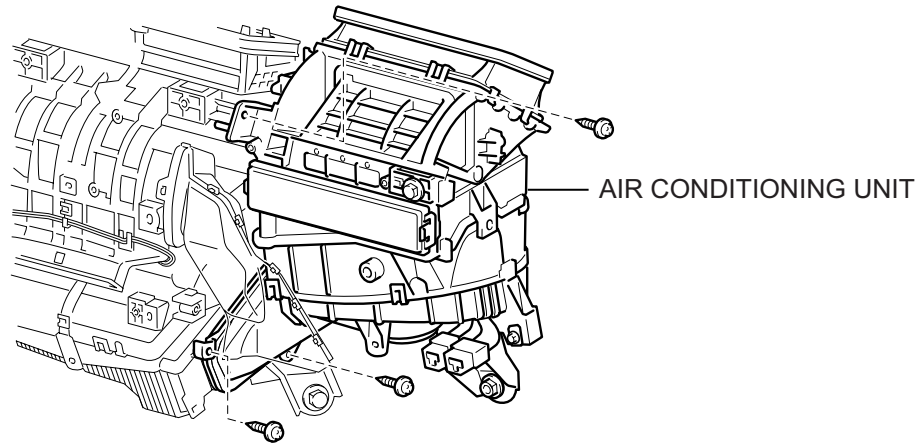


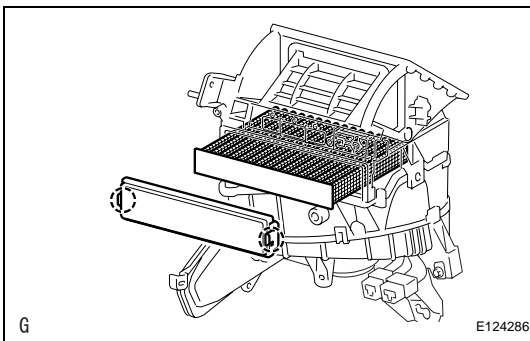
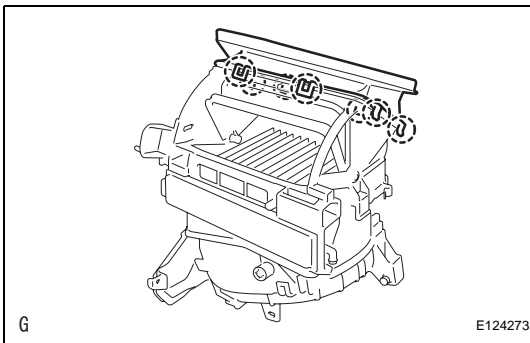
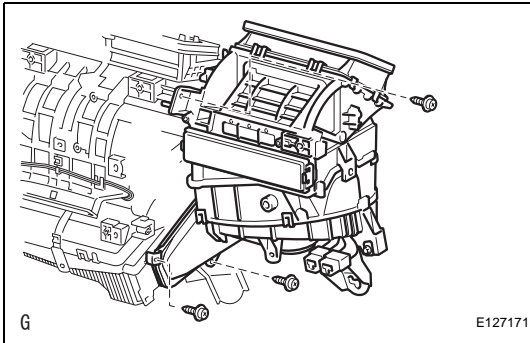
BLOWER UNIT COMPONENTS



AC

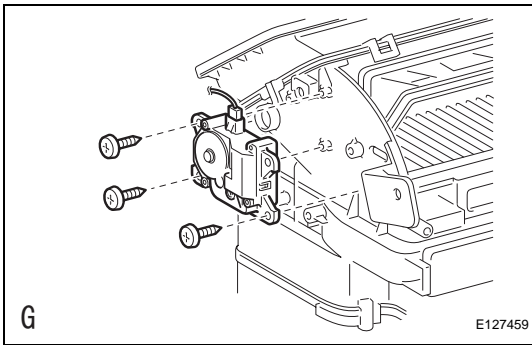
REMOVAL

1. **DISCONNECT CABLE FROM NEGATIVE BATTERY TERMINAL**
CAUTION:
 Wait at least 90 seconds after disconnecting the cable from the negative (-) battery terminal to prevent airbag and seat belt pretensioner activation.
2. **REMOVE UPPER INSTRUMENT PANEL**
 (a) Remove the upper instrument panel (see page [IP-4](#)).
3. **REMOVE LOWER INSTRUMENT PANEL**
 (a) Remove the lower instrument panel (see page [IP-16](#)).
4. **REMOVE AIR DUCT (See page [AC-188](#))**
5. **REMOVE AIR CONDITIONING UNIT**
 (a) Remove the air conditioning unit (see page [AC-185](#)).
6. **REMOVE BLOWER ASSEMBLY**
 (a) Remove the 3 screws and blower.



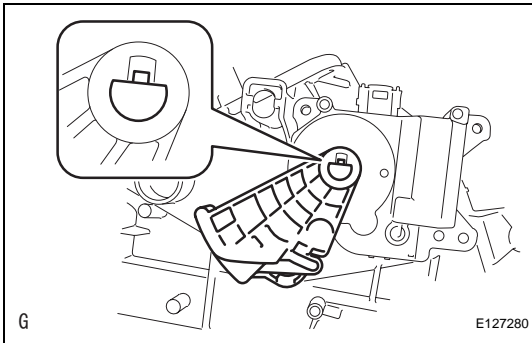
DISASSEMBLY

1. **REMOVE HEATER TO REGISTER DUCT ASSEMBLY**
 (a) Detach the 7 claws and register duct.
2. **REMOVE AIR FILTER CASE**
 (a) Detach the 2 claws and remove the air filter case.
 (b) Remove the air filter.



3. REMOVE AIR INLET CONTROL SERVO MOTOR (for Manual Air Conditioning System)

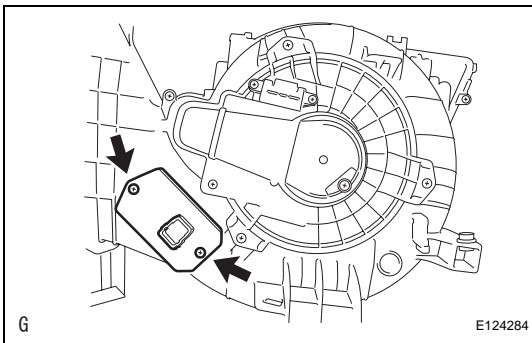
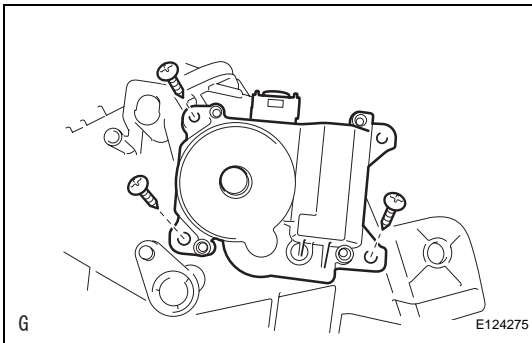
- (a) Remove the 3 screws and air inlet servo motor.



4. REMOVE AIR INLET CONTROL SERVO MOTOR (for Automatic Air Conditioning System)

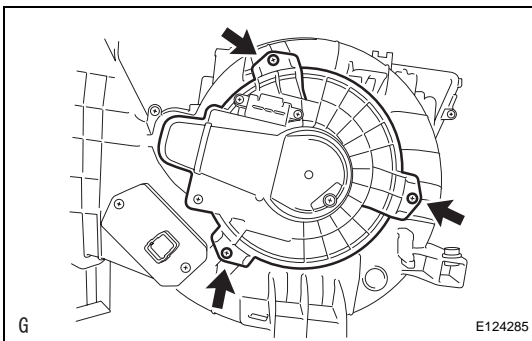
- (a) Detach the claws and lever.

- (b) Remove the 3 screws and air inlet servo motor.



5. REMOVE BLOWER RESISTOR (for Manual Air Conditioning System)

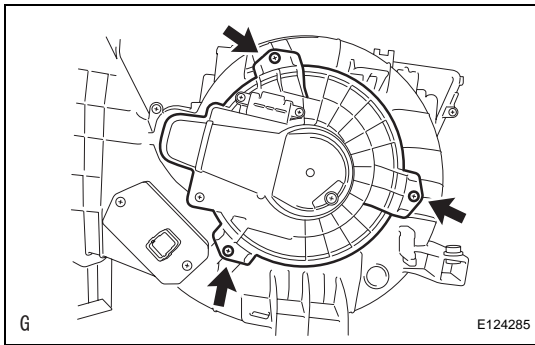
- (a) Remove the 2 screws and blower resistor.



6. REMOVE BLOWER MOTOR

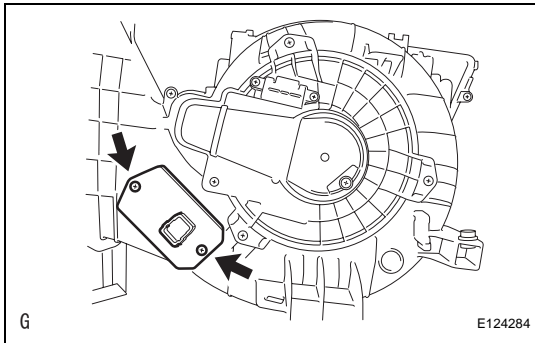
- (a) Remove the 3 screws and blower motor.

REASSEMBLY



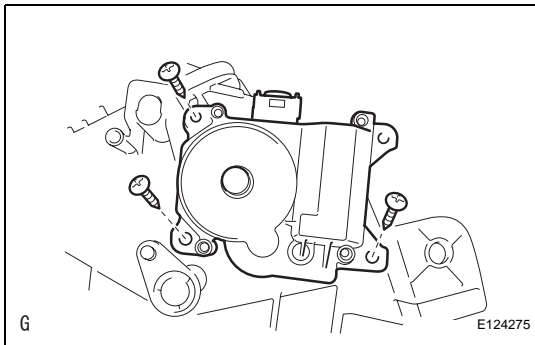
1. INSTALL BLOWER MOTOR

- (a) Install the blower motor with the 3 screws.



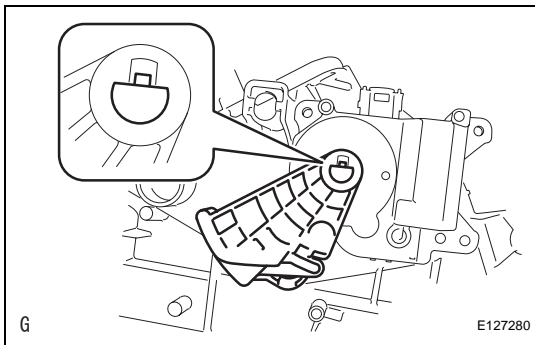
2. INSTALL BLOWER RESISTOR (for Manual Air Conditioning System)

- (a) Install the blower resistor with the 2 screws.

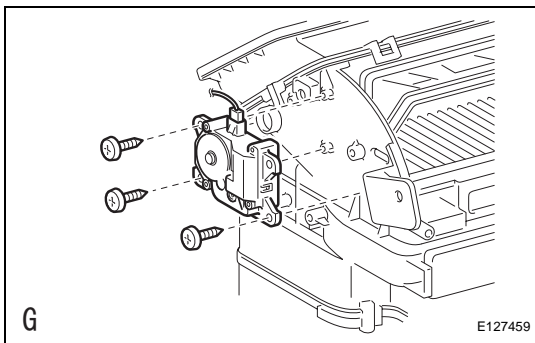


3. INSTALL AIR INLET CONTROL SERVO MOTOR (for Automatic Air Conditioning System)

- (a) Install the air inlet servo motor with the 3 screws.

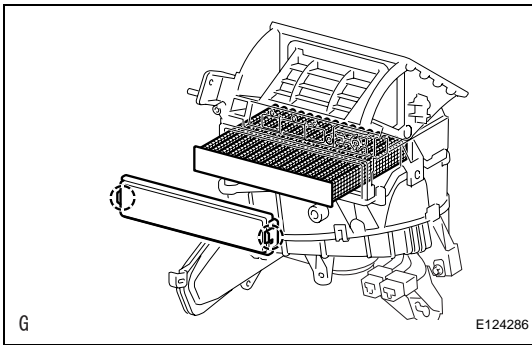


- (b) Attach the claw to install the lever.



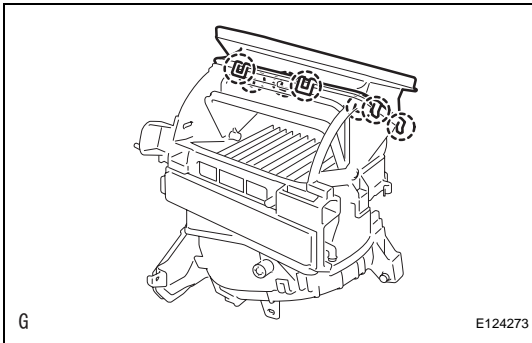
4. INSTALL AIR INLET CONTROL SERVO MOTOR (for Manual Air Conditioning System)

- (a) Install the air inlet servo motor with the 3 screws.



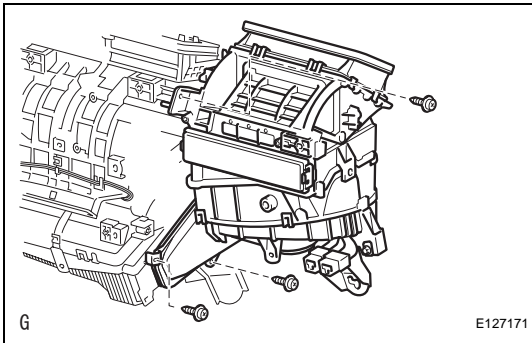
5. INSTALL AIR FILTER CASE

- (a) Install the air filter.
- (b) Attach the 2 claws to install the air filter case.



6. INSTALL HEATER TO REGISTER DUCT ASSEMBLY

- (a) Attach the 7 claws to install the register duct.



INSTALLATION

1. INSTALL BLOWER ASSEMBLY

- (a) Install the blower assembly with the 3 screws.

2. INSTALL AIR CONDITIONING UNIT

- (a) Install the air conditioning unit (see page [AC-197](#)).

3. INSTALL AIR DUCT (See page [AC-199](#))

4. INSTALL LOWER INSTRUMENT PANEL

- (a) Install the lower instrument panel (see page [IP-23](#)).

5. INSTALL UPPER INSTRUMENT PANEL

- (a) Install the upper instrument panel (see page [IP-9](#)).

6. CONNECT CABLE TO NEGATIVE BATTERY TERMINAL

7. CHECK SRS WARNING LIGHT

- (a) Check the SRS warning light (see page [RS-37](#)).