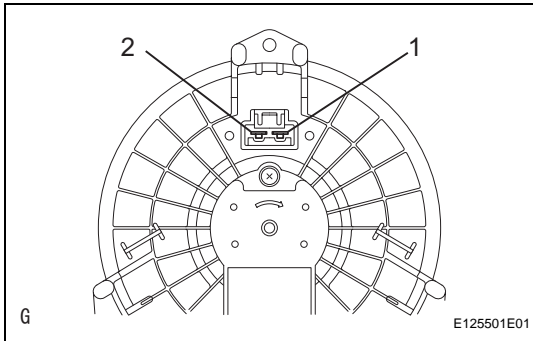


BLOWER MOTOR

ON-VEHICLE INSPECTION

1. INSPECT BLOWER MOTOR (for Automatic Air Conditioning System)

- (a) Disconnect the blower motor connector.
- (b) Connect the positive (+) lead from the battery to terminal 1 and negative (-) lead to terminal 2, and then check that the motor operates smoothly. If the operation is not as specified, replace the blower motor.



2. INSPECT BLOWER MOTOR (for Manual Air Conditioning System)

- (a) Disconnect the blower motor connector.
- (b) Connect the positive (+) lead from the battery to terminal 2 and negative (-) lead to terminal 1, and then check that the motor operates smoothly. If the operation is not as specified, replace the blower motor.